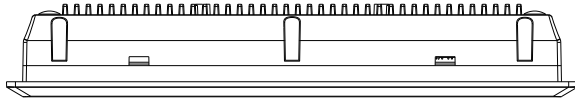
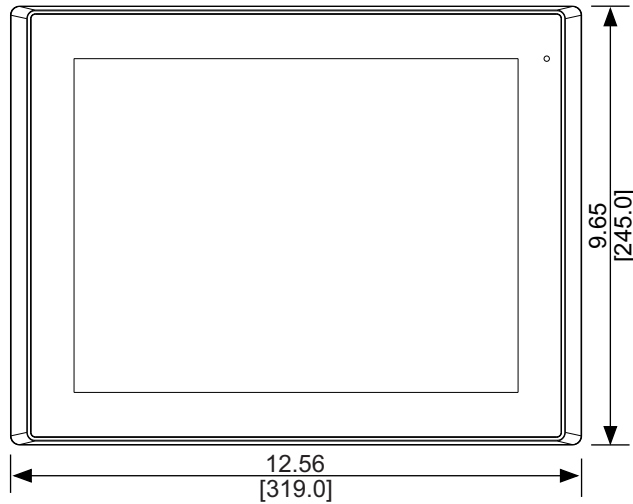


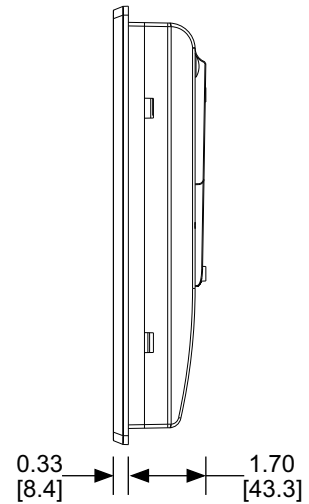
Top View



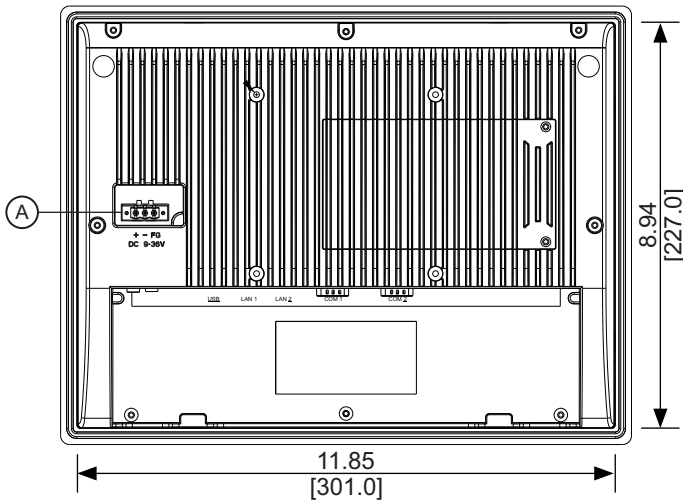
Front View



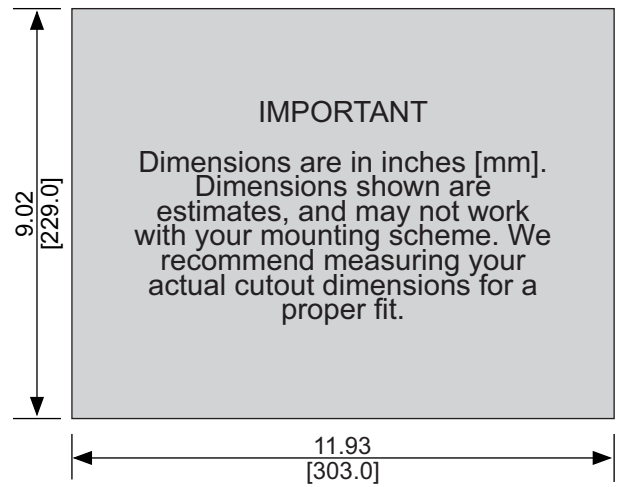
Side View



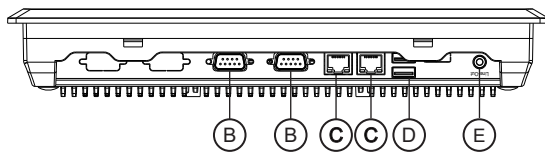
Rear View



Cutout Dimensions



Bottom View



Dimensions are in inches [mm]

- (A) Power Connector
- (C) Ethernet Port
- (D) USB 2.0 Ports
- (E) Line out
- (B) Com Port DE9P