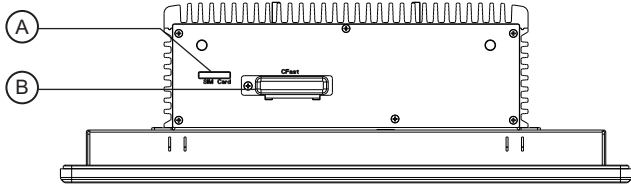
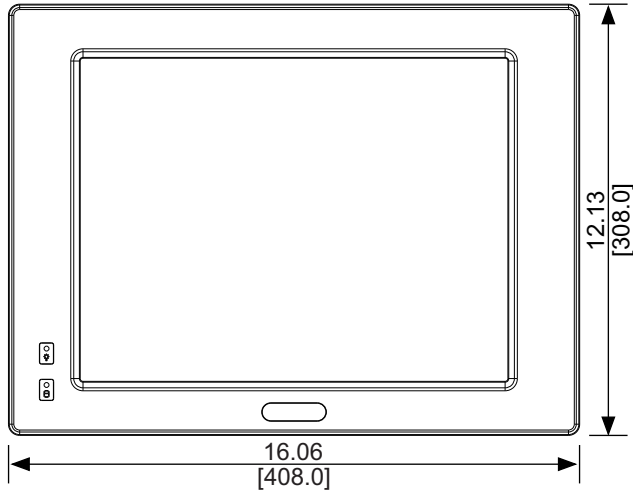


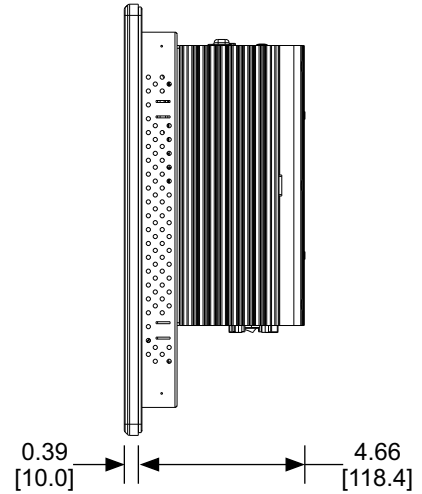
Top View



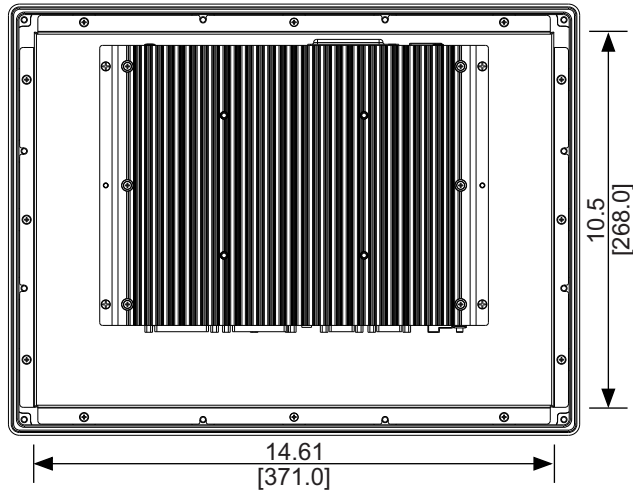
Front View



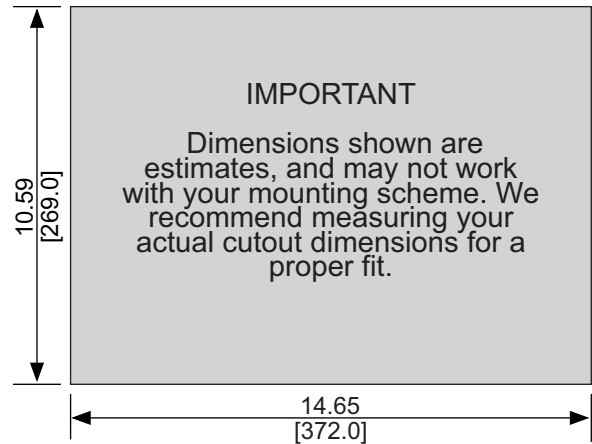
Side View



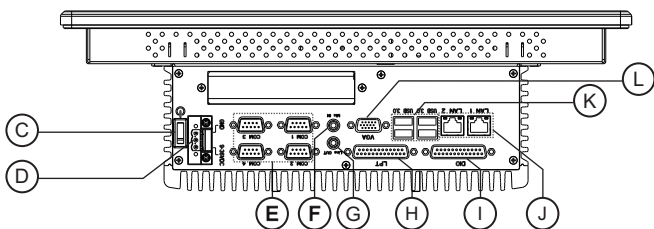
Rear View



Cutout Dimensions



Bottom View



Dimensions are in inches [mm]

- (A) SIM Card Slot      (B) CFAST Card Slot      (C) Power Switch      (D) Power Connector
- (E) Com Ports DE9P      (F) Mic In      (G) Line Out      (H) LPT
- (I) DIO      (J) Ethernet Ports      (K) USB 3.0 Ports      (L) VGA