

### 1 Installation and Startup Guide

This document covers the installation of iR-Axxx Series, for the detailed specifications and operation, please refer to Datasheet, Brochure and Remote I/O User Manual. Please read all warnings, precautions, and instructions on the device carefully before use.

#### Install Environment:

Electrical Environment	The product has been tested to conform to European CE requirements. This means that the circuitry is designed to resist the effects of electrical noise. This does not guarantee noise immunity in severe cases. Proper wire routing and grounding will insure proper operation.
Environmental Considerations	<ol style="list-style-type: none"> <li>(1) Make sure that the units are installed correctly and that the operating limits are followed.</li> <li>(2) Avoid installing units in environments where severe mechanical vibration or shocks are present.</li> <li>(3) Do not operate the unit in areas subject to explosion hazards due to flammable gases, vapors or dusts, or where acid gas, such as SO<sub>2</sub> exists.</li> <li>(4) Conform to UL 61010-1 and UL 61010-2-201 safety requirement for use in Pollution Degree 2 Environment and dry location.</li> <li>(5) Relative Humidity: 10% ~ 90% (non-condensing)</li> </ol>

### 2 Unpacking the Unit

Unpack and check the delivery. If damage is found, please contact the supplier.

**NOTE: Place the unit on a stable surface during installation. Dropping it or letting it fall may cause damage.**

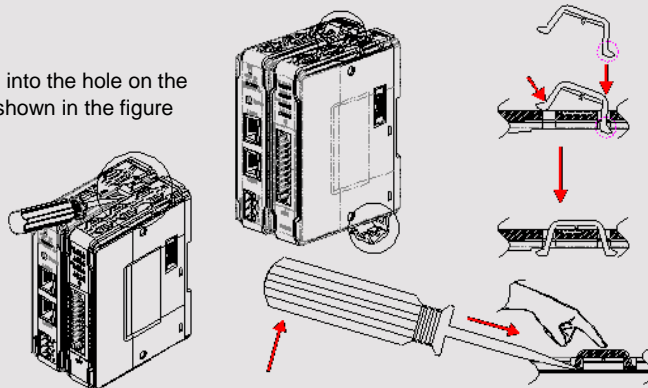
The package includes:

- (1) Installation Instruction, 2-sided A4 \*1
- (2) Warranty Statment \*1
- (3) iR-Axxx \*1
- (4) I/O Connector \*1
- (5) Clips \*2

### 3 Installation Instructions

Clip assembly: Insert one side of the clip into the hole on the case. Press down firmly in the direction shown in the figure on the right until hearing the clip snap into the case.

Clip removal: Insert a flathead screwdriver into the gap on the clip and then lift up the screwdriver. Placing a finger on the clip when lifting the screwdriver can prevent the clip from jumping away. The clip can also be removed directly by hand.

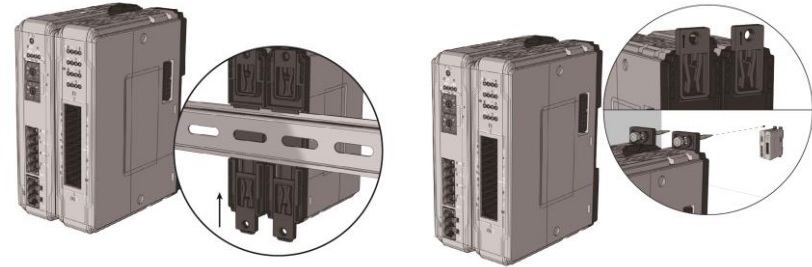


Rail mounting: DIN rail 35mm.

Panel mounting: Use two M4 or #8 panhead screws, mounting hole size is 4.6mm

Plan for adequate space around the unit and inside the enclosure, for ventilation and cables. Consider the heat from other devices inside the enclosure. The ambient temperature around the unit must be 0 ~ 55°C

**NOTE: Please do not touch any of the connectors when the unit is powered up and running.**



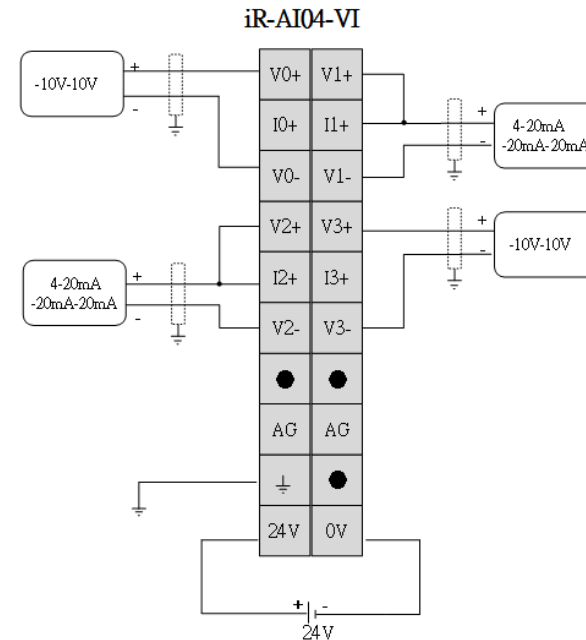
### 4 Connector and Wiring

Connector Specifications:

Wire AWG: 28~16

Operating Temperature: -40°C ~+115°C

Wire Strip Length: 7~8 mm

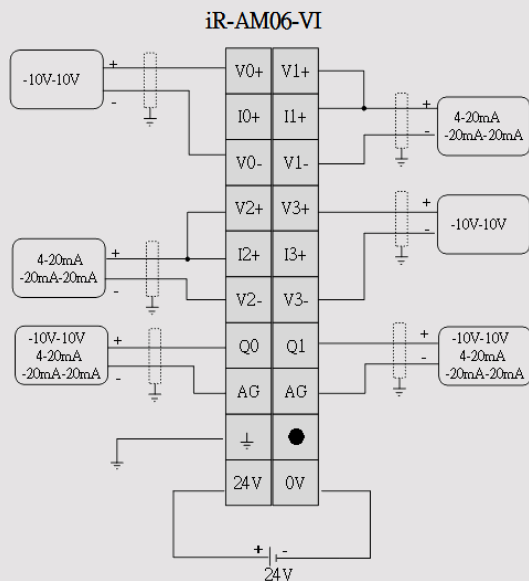


Connector Specifications:

Wire AWG: 28~16

Operating Temperature: -40°C ~+115°C

Wire Strip Length: 7~8 mm

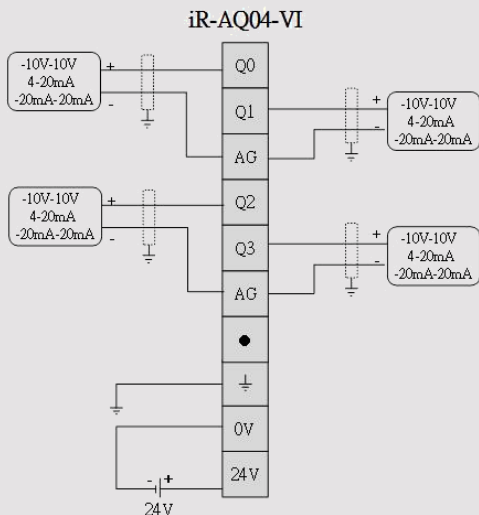


Connector Specifications:

Wire AWG: 24~16

Operating Temperature: -40°C ~+115°C

Wire Strip Length: 7~8 mm



**CAUTION**

**NOTE:** Make sure that all local and national electrical standards are met when installing the unit. Contact your local authorities to determine which codes apply.

**Input Module** Please keep a distance between DC input signal line and AC power line in order to avoid noise.

**Analog Output** For Analog Output impedance, voltage loading must be greater than 1Kohm. Current loading should be less than 500 ohm.

**Emergency Stop** A Hard-wired EMERGENCY STOP should be fitted in any system using the product.

**DANGER**

The system designer should be aware that devices in Controller systems could fail and thereby create an unsafe condition. Furthermore, electrical interference in an operator interface can lead to equipment start-up, which could result in property damage and/or physical injury to the operator.

**Hardware Considerations** If you use any programmable control systems that require an operator, be aware that this potential safety hazard exists and take appropriate precautions. Although the specific design steps depend on your particular application, the following precautions generally apply to installation of solid-state programmable control devices, and conform to the guidelines for installation of Controllers recommended Control Standards.

**Programming Considerations** Checks should be placed in the controller to ensure that all writable registers that control critical parts of plant or machinery have limit checks built into the program, with an out-of-limit safe shut down procedure to ensure safety of personnel.

1010-1102\_rev01\_201126

**Limited Warranty**

A copy of the Warranty and Limitation of Liability is contained in the product box. It can also be found on the Maple Systems website.

