



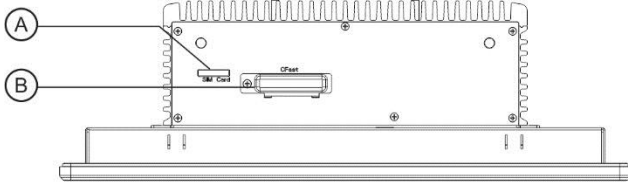
15" Fanless Heavy Industrial Panel PC



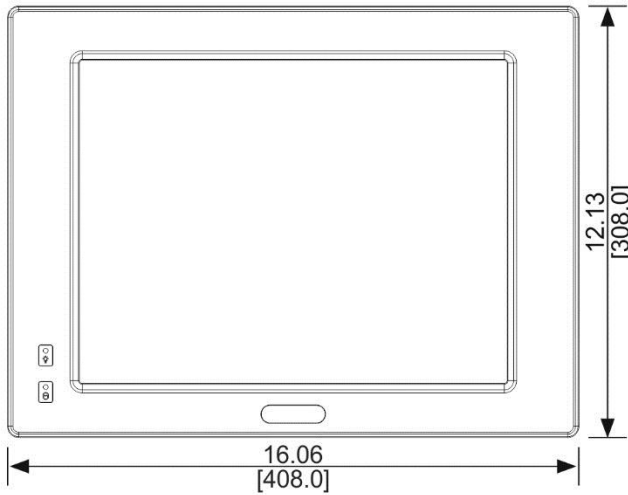
- Intel Core 3 Gen. Mobile i3/i5/i7 Processor
- IP65 Front Panel Design
- Wide DC Input Voltage Range (9-36 VDC)
- 2 GbE Ports, 4 Serial Ports, 4 USB 3.0 Ports

System	CPU	Base Model: Intel® Core™ Mobile i3-3120ME processor Upgrade Options: Intel® Core™ Mobile i5-3610ME or i7-3610QE processor
	System Chipset	Intel QM77
	System Memory	Base Model: 4 GB DDR3L SO-DIMM Upgrade Options: 8 GB or 16 GB DDR3L SO-DIMM
I/O Ports	USB	4 x USB 3.0 type A
	Serial	3 x DE9P COM1/3/4: RS-232 1 x DE9P COM2: RS-422
	LPT	1 x DB25S parallel port
	Audio	1 x 3.5 mm line out 1 x 3.5 mm mic in
	Digital I/O	1 x DB25S, 8 in/8 out
	VGA	1 x DE15S video output
	LAN	2 x RJ-45 GbE
	Power	1 x DIN4 connector, DC power input
Storage Space	HDD/SSD	Base Model HDD: 1 x 2.5" SATA 3, 500 GB HDD Upgrade Options: 1 x 2.5" SATA 3, 1 TB SSD Upgrade Options: 1 x 2.5" SATA 3, MLC, 64 GB, 128 GB, 256 GB
	CFast Card Slot	Yes
Expansion	Expansion Slot	Optional 1 x PCI or PCIe (10W max)
	Wi-Fi	Optional
Display	Display Type	15" TFT-LCD
	Max. Resolution	1024 x 768
	Max. Color	16.7M
	Luminance (cd/m²)	400
	View Angle (H°/V°)	160/160
	Contrast Ratio	600:1
	Backlight Lifetime (hours)	50,000 hours
Touch Screen	Type	5-wire resistive touch
	Interface	USB
	Light Transmission	80% ±5%
Electrical	Input Voltage	9~36 VDC
	Input Power	39 W (Base Model)
Mechanical	Construction	Aluminum front bezel and chassis
	Rating	IP65 front panel / NEMA4X
	Mounting	Panel mounting, VESA 100 x 100
	Dimension	16.06 x 12.13 x 5.05 inches [408 x 308 x 128 mm]
	Net Weight	16.53 lbs. [7.5 kg]
Environmental	Operating Temperature	32~113°F [0~45°C]
	Storage Temperature	-4~158°F [-20~60°C]
	Storage Humidity	10 to 90%
	Certification	CE / FCC Class A / RoHS
Operating System	Type	Microsoft Windows® 7 Pro for Embedded 32-bit or 64-bit (FES 7 Pro)*
Notes	Specifications subject to change without notice. * 32-bit or 64-bit must be specified at the time the order is placed.	

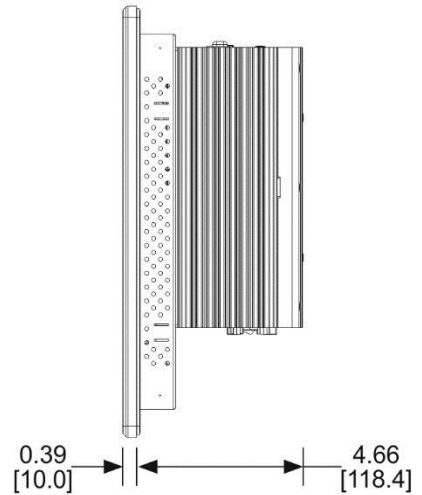
Top View



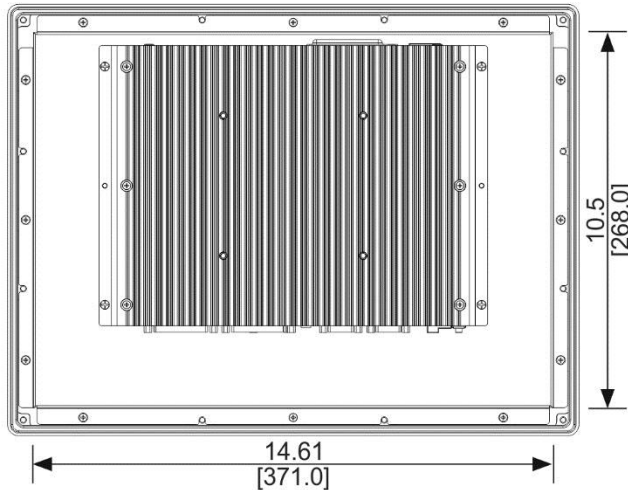
Front View



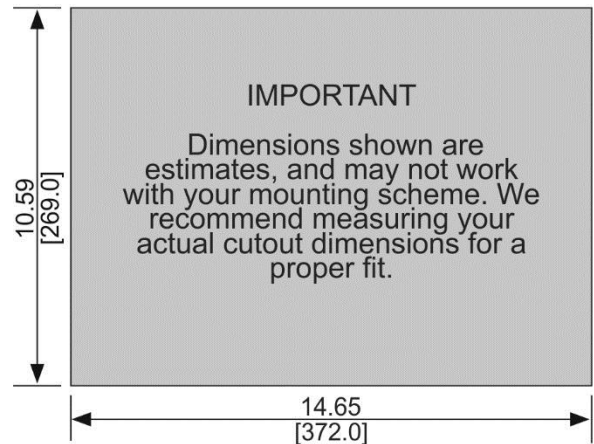
Side View



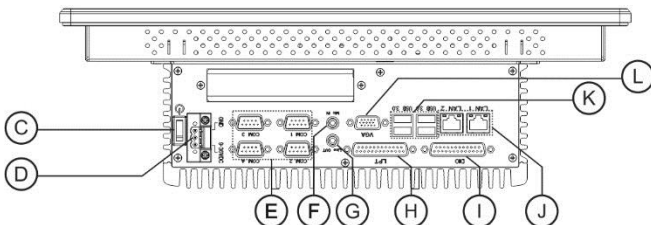
Rear View



Cutout Dimensions



Bottom View



Dimensions are in inches [mm]

- | | | | |
|------------------|-------------------|-----------------|-------------------|
| Ⓐ SIM Card Slot | Ⓑ CFAST Card Slot | Ⓒ Power Switch | Ⓓ Power Connector |
| Ⓔ Com Ports DE9P | Ⓕ Mic In | Ⓖ Line Out | Ⓗ LPT |
| Ⓘ DIO | Ⓖ Ethernet Ports | Ⓚ USB 3.0 Ports | Ⓛ VGA |