



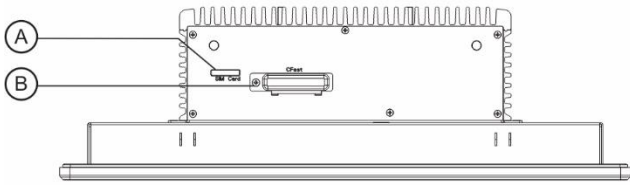
17" Fanless Heavy Industrial Panel PC



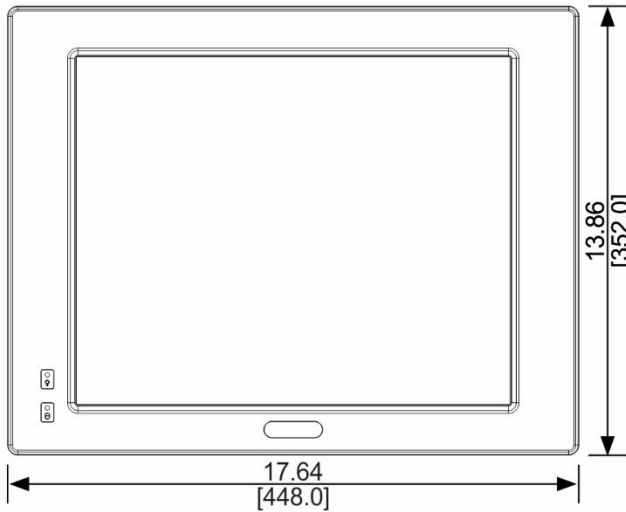
- Intel Core 3 Gen. Mobile i3/i5/i7 Processor
- IP65 Front Panel Design
- Wide DC Input Voltage Range (9-36 VDC)
- 2 GbE Ports, 4 Serial Ports, 4 USB 3.0 Ports

System	CPU	Base Model: Intel® Core™ Mobile i3-3120ME processor Upgrade Options: Intel® Core™ Mobile i5-3610ME or i7-3610QE processor
	System Chipset	Intel QM77
	System Memory	Base Model: 4 GB DDR3L SO-DIMM Upgrade Options: 8 GB or 16 GB DDR3L SO-DIMM
I/O Ports	USB	4 x USB 3.0 type A
	Serial	3 x DE9P COM1/3/4: RS-232 1 x DE9P COM2: RS-422
	LPT	1 x DB25S parallel port
	Audio	1 x 3.5 mm line out 1 x 3.5 mm mic in
	Digital I/O	1 x DB25S, 8 in/8 out
	VGA	1 x DE15S video output
	LAN	2 x RJ-45 GbE
	Power	1 x DIN4 connector, DC power input
Storage Space	HDD/SSD	Base Model HDD: 1 x 2.5" SATA 3, 500 GB HDD Upgrade Options: 1 x 2.5" SATA 3, 1 TB SSD Upgrade Options: 1 x 2.5" SATA 3, MLC, 64 GB, 128 GB, 256 GB
	CFast Card Slot	Yes
Expansion	Expansion Slot	Optional 1 x PCI or PCIe (10W max)
	Wi-Fi	Optional
Display	Display Type	17" TFT-LCD
	Max. Resolution	1280 x 1024
	Max. Color	16.7M
	Luminance (cd/m²)	350
	View Angle (H°/V°)	160/140
	Contrast Ratio	800:1
	Backlight Lifetime (hours)	50,000 hours
Touch Screen	Type	5-wire resistive touch
	Interface	USB
	Light Transmission	80% ±5%
Electrical	Input Voltage	9~36 VDC
	Input Power	51 W (Base Model)
Mechanical	Construction	Aluminum front bezel and chassis
	Rating	IP65 front panel / NEMA4X
	Mounting	Panel mounting, VESA 100 x 100
	Dimension	17.64 x 13.86 x 5.34 inches [448 x 352 x 136 mm]
	Net Weight	19.84 lbs [9 kg]
Environmental	Operating Temperature	32~113°F [0~45°C]
	Storage Temperature	-4~158°F [-20~60°C]
	Storage Humidity	10 to 90%
	Certification	CE / FCC Class A / RoHS
Operating System	Type	Microsoft Windows® 7 Pro for Embedded 32-bit or 64-bit (FES 7 Pro)*
Notes	Specifications subject to change without notice. * 32-bit or 64-bit must be specified at the time the order is placed.	

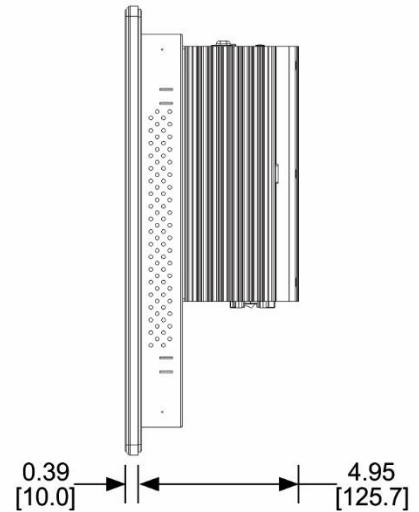
Top View



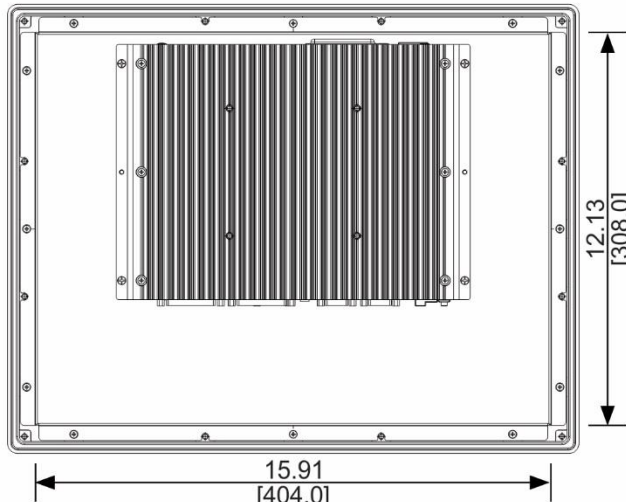
Front View



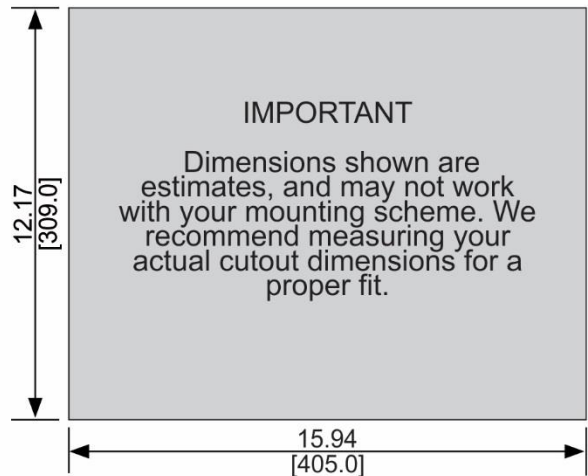
Side View



Rear View



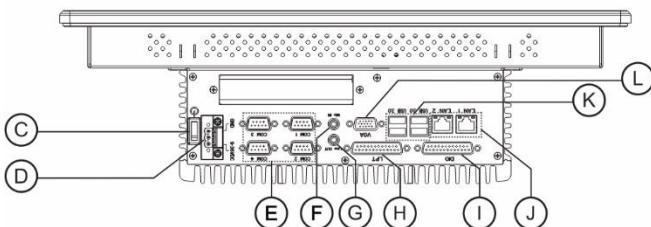
Cutout Dimensions



IMPORTANT

Dimensions shown are estimates, and may not work with your mounting scheme. We recommend measuring your actual cutout dimensions for a proper fit.

Bottom View



Dimensions are in inches [mm]

- Ⓐ SIM Card Slot Ⓑ CFast Card Slot Ⓒ Power Switch Ⓓ Power Connector
- Ⓔ Com Ports DE9P Ⓕ Mic In Ⓖ Line Out Ⓗ LPT
- Ⓘ DIO Ⓖ Ethernet Ports Ⓚ USB 3.0 Ports Ⓛ VGA