

Ideal for Renewables!



MLG-DT Series

DC Current Hall Effect Sensors

MLG-DT Series combines a Hall effect sensor and signal conditioner into a single package for use in DC current applications up to 400A. The MLG-DT unipolar and bipolar models have jumper selectable current input ranges and industry standard 0–20mA, 4–20mA, 0–5VDC or 0–10VDC outputs. Available in split-core or solid-core enclosures.

FEATURES

Single Range or Three Jumper Selectable Ranges

- Reduces set-up time
- Reduces inventory
- Eliminates zero and span pots

Isolation

- Output is magnetically isolated from the input for safety
- Eliminates insertion loss (voltage drop)

Internal Power Regulation

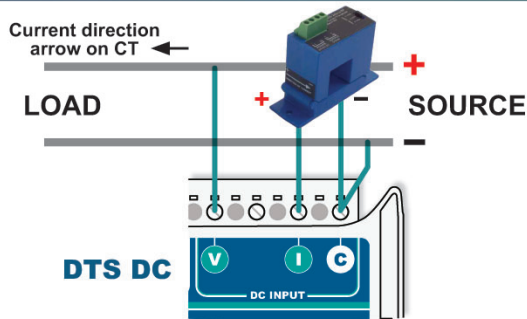
- Works well, even with unregulated power
- Cuts installation cost

Split-core Design/Built-in Mounting Brackets

- Makes installation a snap

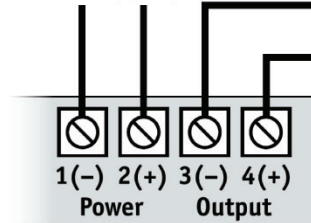


APPLICATIONS



CONNECTIONS

120 VAC or 24 VAC / DC

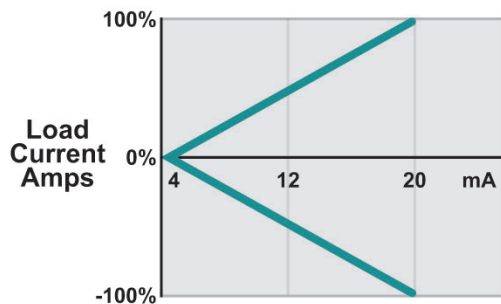


Output loop is powered by MLG-DT Sensor.
No Loop Power Supply required.

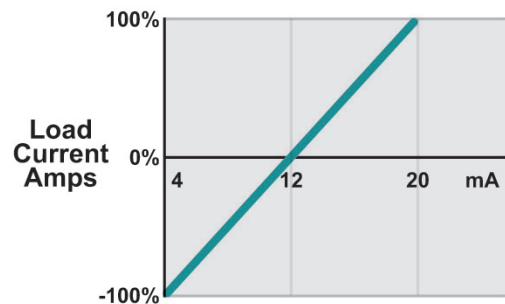
Notes:

- Deadfront captive screw terminals.
- 12-22 AWG solid or stranded.
- Observe polarity.

Unipolar Output



Bipolar Output



Technical details subject to change

Call Toll Free: 1-877-PQ-SOLNS (1-877-777-6567) or 303-805-5252 email: info@measurlogic.com

MEASURLOGIC

www.measurlogic.com

SPECIFICATIONS*

Output Signal

- 0–20mA, 4–20mA, 0–5VDC, 0–10VDC

Output Limit

- 0–20mA, 4–20mA: 23mA
- 0–5VDC: 5.75VDC
- 0–10VDC: 11.5VDC

Accuracy

- Solid-core: 1% FS
- Split-core: 2% FS

Repeatability 1.0% FS

Response Time

- Solid-core: 20ms (to 90% of step change)
- Split-core: 100ms (to 90% of step change)

Frequency Range - DC

Power Supply

- 120VAC
- 24VAC/DC, 2VA max.

Power Consumption

2VA

Loading

- 0–20mA, 4–20mA: 500Ω max
- 0–5VDC: 25kΩ min.
- 0–10VDC: 50kΩ min.

Isolation Voltage

3KV (monitored line to output)

Linearity

0.75% FS

Current Ranges

- Field Selectable Ranges from 0–400A

Sensing Aperture

- FL Case: 0.75" (19.1mm) dia.
- SP Case: 0.85" (21.6mm) sq.

Case

UL94 V0 Flammability Rated

Environmental

-4 to 122°F (-20 to 50°C),
0–95% RH, non-condensing

Listings

UL 508 Industrial Control Equipment
(USA & Canada), CE

MODEL NUMBER BUILDER*

MLG-DT

a - **b** - **c** - **d** - **e**

Full Scale Range

- a:** 0 = 5, 10, 20A*
1 = 50, 75, 100A
2 = 100, 150, 200A
3 = 150, 225, 300A
4 = 200, 300, 400A
C = Custom Range

Output Signal

- b:** 020 = 0–20mA
420 = 4–20mA
003 = 0–3VDC
005 = 0–5VDC
010 = 10VDC

Power Supply

- c:** 24U = +24VAC/DC
120 = 120VAC**

Output Polarity

- d:** U = Unipolar
BP = Bipolar

Case

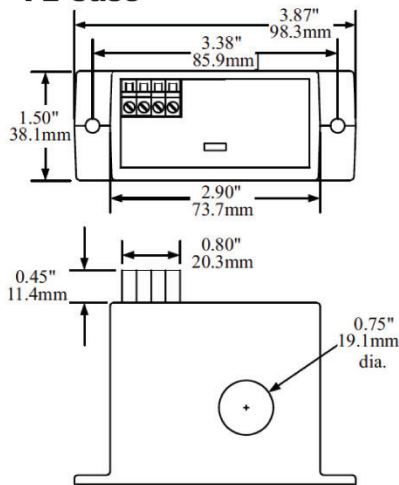
- e:** FL = Solid-core
SP = Split-core

* DT0 Models FL case only.

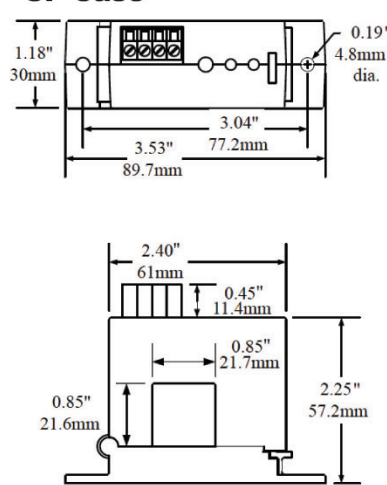
** 120VAC power supply FL case only.

DIMENSIONS

FL Case



SP Case



Recommended Model Numbers (that work well with the DTS DC Meter)

MLG-DT 2 - 420 - 24U - BP - SP

- 0 - 100, 150, 200A Range
- 4–20mA Bipolar Output
- +24VAC/DC Powered
- Split-core DC Hall Effect Sensor

MLG-DT 1 - 420 - 24U - U - SP

- 0 - 50, 75, 100A Range
- 4–20mA Unipolar Output
- +24VAC/DC Powered
- Split-core DC Hall Effect Sensor

Distributor:

Call Toll Free: 877-PQ-SOLNS (877-777-6567)

Fax (425) 799-4780

email: info@measurlogic.com

* Model dependent
Technical details subject to change