

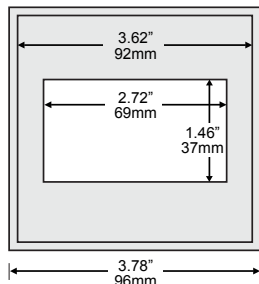
DTS Display

Remote Display for DTS 305 Energy Sub-meter

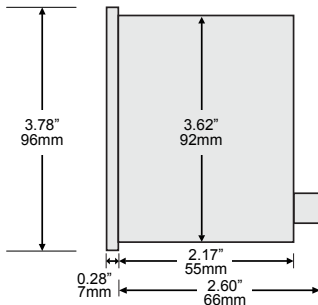


DIMENSIONS

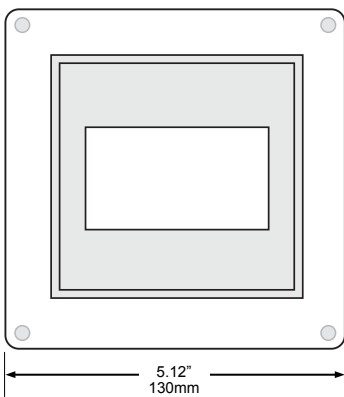
Front View



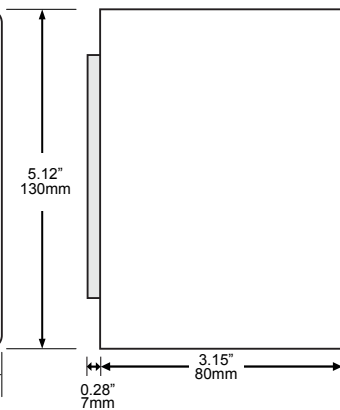
Side View



Portable Front View



Portable Side View



Call Toll Free: 877-PQ-SOLNS (877-777-6567)

Fax (425) 799-4780

email: info@measurlogic.com

FEATURES

- Interfaces with DTS 305 power meter / transducer
- Connects via a 3 foot cable with pluggable terminals (Custom lengths available)
- **Front Panel** mounting & **Portable** option
- Large backlit **LCD display**
- Displays up to **24 variables** with 3 variables per page
- **User configurable** through attached DTS meter
- Portable version available:
 - 7ft cable with plug (Custom lengths available)
 - NEMA 4 weather proof enclosure

SPECIFICATIONS

Interface:

Type: RS-232
Protocol: DTS Talk

Power supply:

Voltage: 100-240 or 100-277 Vac/dc, 12 or 24 or 48 Vdc
Can also be powered by attached DTS 305
Tolerance: -10%, +10%
Frequency: 50/60 Hz for AC supply models only
Burden: 2VA
Operating temp: -4° to 131°F (-20° to 55°C)
Storage temp: -22° to 176°F (-30° to 80°C)
Humidity: 5 to 75% R.H. non-condensing

Mechanical:

	Front Panel	Portable
Mounting Cutout:	3.62 x 3.62" (92 x 92mm)	N/A
Connection:	— Pluggable terminals —	—
Case Material:	— Self-extinguishable, V0 plastic —	—
Protection:	NEMA 4 - front panel	NEMA 4
Dimensions:	3.78"H x 3.78"W x 2.6"D 96 x 96 x 66mm	5.12"H x 5.12"W x 3.15"D 130 x 130 x 80mm
Weight:	0.75 lbs (0.35 kg)	1.1 lbs (0.5kg)

Display:

Resolution: 128x64 pixels
of pages: 8
Parameters/page: 3 (user-definable)
Alarms: Configurable low and high thresholds
Setpoints: nominal, low and high

MODEL NUMBER BUILDER*

DTS D 2 - 01 - **a** - **b**

Auxiliary Power

- a:** 0 = Powered from attached DTS meter
1 = 100 – 240 Vac
N = 100 – 277 Vac
2 = 48 Vdc
3 = 24 Vdc
4 = 12 Vdc

Mounting

- b:** **Blank:** Front Panel
P = Portable Version

Distributor:



* Model dependent Technical details subject to change