

Ideal for Renewables!



DTS SKT2

Socket Energy Sub-Meter with Embedded Cell Modem



DTS SKT2

FEATURES & BENEFITS

- **Revenue Grade** Energy sub-meter (ANSI C12.20)
- Bi-directional for renewable systems (NET metering)
- Standard Form Factors
 - ♦ 2S – residential
 - ♦ 16S & 9S – commercial
- Other form factors available – 1S, 3S, 4S, 5S, 6S, 8S, 12S, 14S & 15S
- **Designed and Manufactured in the USA.** Complies with the Buy American Provisions of ARRA Section 1605

For Solar System Installers

- **Easy, quick installation** using a standard socket base
- No configuration required – **automatically starts uploading data**
- **Does not require access** into house or building
- **Choice** of hosted data service providers

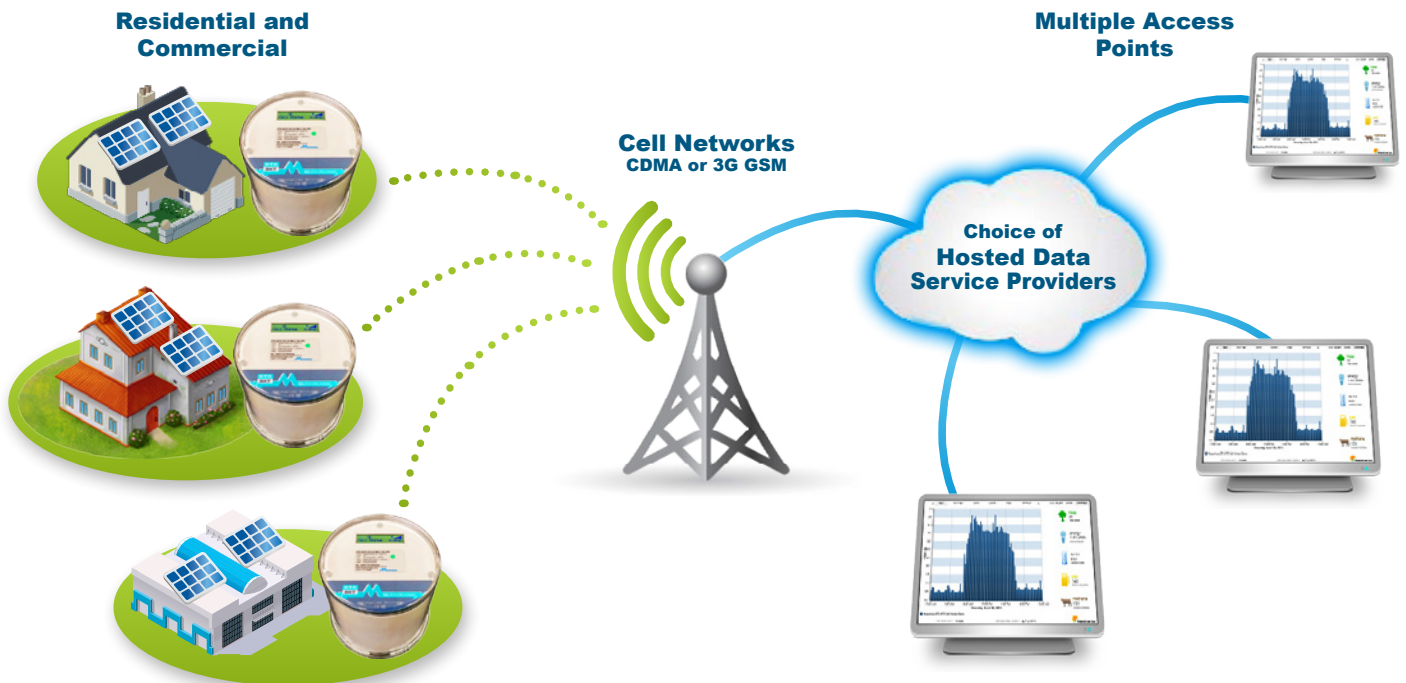


For Hosted Service Providers

- Ability to **choose and scale cell data plan**
- Embedded **CDMA or 3G GSM** cell modem
- **Save** by buying meters directly from us
- Control of your **own data**



Solar Solution Architecture



* Model dependent

Call Toll Free: 1-877-PQ-SOLNS (1-877-777-6567) or 303-805-5252 email: info@measurlogic.com

MEASURLOGIC

www.measurlogic.com

SPECIFICATIONS*

Measuring Circuits:

Nominal Voltage: depending on form factor and model, range is -10% to +10%
 Permanent overload: 1.1 x nominal voltage
 Voltage burden: <0.1 VA @ 280 V ac L-N
 Frequency: 45 to 65 Hz
 Rated current: depending on form factor and model
 Permanent overload: 1.5 x I_r for 5A version
 Current input burden: 0.5 VA @ 5 A

Accuracy:

Voltage: 0.5%, <0.2% typical (80-120%)
 Current: 0.5%, <0.2% typical (10-120%)
 Power: 0.5%, <0.2% typical (10-120%)
 Power Factor: 0.5% (between 0.5 and 1.0)
 Energy:** Class 0.5 (ANSI C12.20)

Mechanical characteristics:

Connection: Socket base
 Case Material: Self-extinguishable, V0 plastic
 Protection: NEMA 3R
 Dimensions: 7"(178mm)∅ x 7.48"(190mm)Depth
 Weight: 2.5lbs (1136 g) – DTS-SKT2 – 2S

Environmental:

Operating temp: -4 to 158°F (-20 to 70°C)
 Storage temp: -22 to 185°F (-30 to 85°C)
 Humidity: 5 to 85% R.H. non-condensing

Display:

Type: LCD
 Lines: 2 lines
 Characters / line: 20
 Auto scroll: 5 seconds

Communications:

CDMA modem
 Frequency: 800 / 1900 MHz
 Approvals: FCC, IC, PTCRB, ROHS
 Local Oper. Certificates: Verizon, Sprint & Aeris

3G GSM UMTS modem – North America

Frequency: 850 / 1900 MHz HSDPA
 Frequency: 850 / 1900 MHz GPRS/EDGE
 Approvals: GCF, FCC, IC, PTCRB, CE, ROHS
 Local Oper. Certificates: AT&T

Pulse / Status Output: - Optional

Type: Potential Free, N.O. Solid State Relay
 Pulse Width: 100 mS default
 Min 50 mS, User configurable up to 10 Seconds
 Max 10 Pulses per Second
 Pulse Rate: 1 Pulse / 1 kWh default, User configurable
 Max On-Resistance: 30 ohm
 Max Switching Voltage: 240Vac
 Max Switching Current: 120mA (350mA for 10mS)

Standards & Safety:

Safety: IEC 61010 Pending
 EMC: IEC 61000-4-2, IEC 61000-4-3, IEC 61000-4-4, IEC 61000-4-5, IEC 61000-4-6, IEC 61000-4-8, IEC 61000-4-11
 FCC: CISPR 11 class A

MEASUREMENT PARAMETERS*

DTS SKT2

Socket Form Factors

1S, 2S, 3S, 4S, 5S, 6S, 8S, 9S, 12S, 14S, 15S, 16S ✓
 other form factors available ✓

Measurements

AC Volts (phase-phase) L1, L2, L3 & III
 AC Volts (phase-neutral) L1, L2, L3 & III
 AC Current L1, L2, L3 & III
 Neutral Current ✓
 Frequency (Hz) L1, L2, L3 & III

Power

Active Power - kW (consumed/generated) L1, L2, L3 & III
 Reactive Power - kVAr (inductive/capacitive) L1, L2, L3 & III
 Apparent Power - kVA L1, L2, L3 & III
 Power Factor L1, L2, L3 & III
 Phase Angle L1, L2, L3 & III
 Bi-directional for renewable systems ✓

Demand

kW - Sliding Window L1, L2, L3 & III

Energy

Active Energy - kWh (consumed/generated) L1, L2, L3 & III
 Reactive Energy - kVArh (inductive/capacitive) L1, L2, L3 & III

Setpoints, Alarms, Control

Pulse / Status Outputs 1

Communications

CDMA Modem ✓
 3G GSM Modem ✓

Other Properties

Integral LCD Display ✓

MODEL NUMBER BUILDER*

DTS SKT2 - **a b** - **c d** - NN - **e** - **f** - **g**

Current & Voltage Inputs

a: 1 = 1A
 5 = 5A
 9 = unburdened CT

b: 1 = 120Vac L-N
 2 = 208-240Vac L-L
 4 = 120-480Vac L-L

Communications

c: C = CDMA modem
 U = 3G UMTS modem

d: A = MCell® protocol

I/O

e: N = Not fitted
 P = 1 x Digital output (PhotoMos relay)

Socket Form Factor

f: 1S, 2S, 3S,
 4S, 5S, 6S,
 8S, 9S, 12S,
 14S, 15S, 16S
 (others on request)

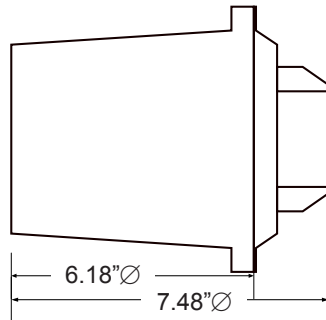
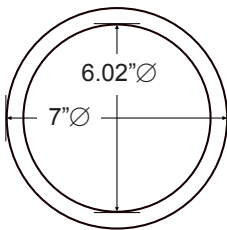
Current Rating

g: Socket Current Rating
 (100A, 200A)
 = "Blank" if external CTs

Example: DTS SKT2 – 92 – CA – NN – P – 2S – 200

200A 2S 120V/240V socket meter with CDMA cell modem and Pulse output

DIMENSIONS



Distributor:

Call Toll Free: 877-PQ-SOLNS (877-777-6567)
 email: info@measurlogic.com

* Model dependent ** CTs excluded
 Technical details subject to change