

Ideal for Renewables!



Inline Fuse Kits

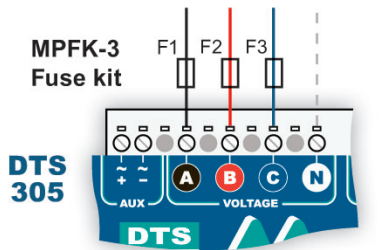
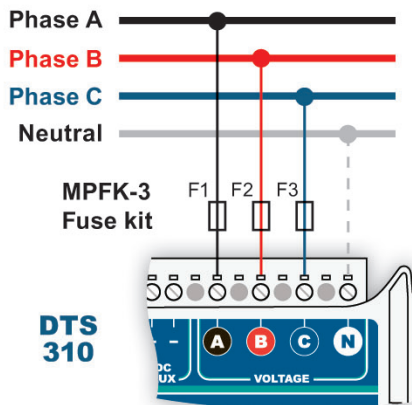
Use with the DTS 310 and DTS 305 AC Sub-meters

FEATURES

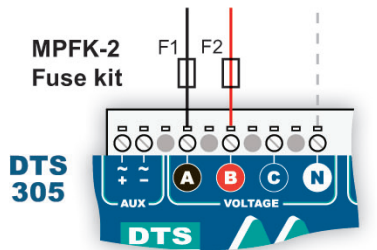
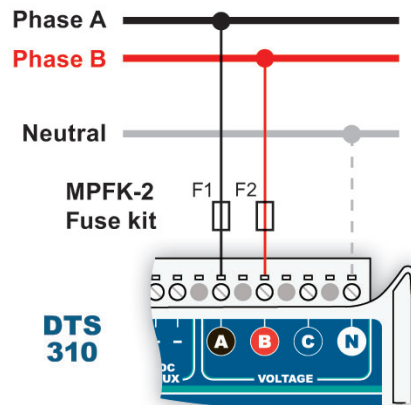
- Provides fuse protection for any AC sub-meter
- Suitable for 208V-480V systems (600V rated)
- Quick installation (in-line design)
- 3 ft cable length (other lengths available on request)

CONFIGURATIONS*

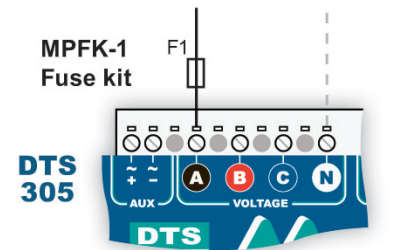
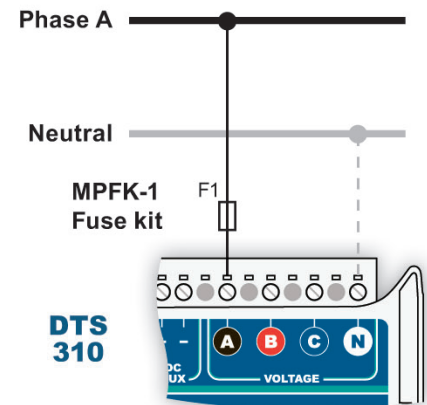
3 Phase 3/4W MPFK-3



1 Phase 3W MPFK-2



1 Phase 2W MPFK-1



ORDERING INFORMATION

Part #	# of fuses	Description
MPFK-3	3x	Inline 2A 600V rated fuse kit with 3ft cable
MPFK-2	2x	
MPFK-1	1x	



Distributor:

Call Toll Free: 877-PQ-SOLNS (877-777-6567)

Fax (425) 799-4780

email: info@measurlogic.com

* Drawings are for illustrative purposes only
Technical details subject to change

14R1

MEASURLOGIC

www.measurlogic.com