

Ideal for  
Renewables!



# Right Angle Mounting Bracket

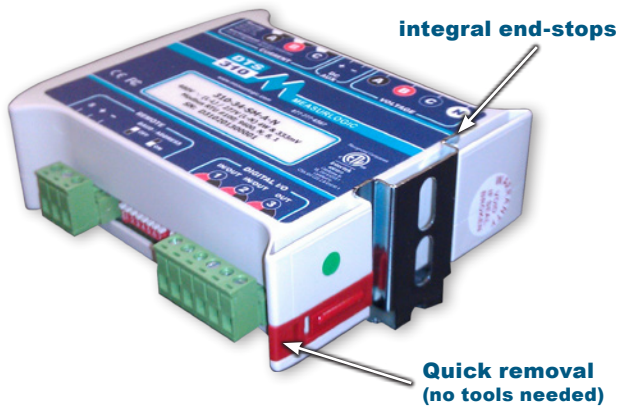
## Use for DTS 310 AC Sub-meter or DTS DC Sub-meter

### FEATURES

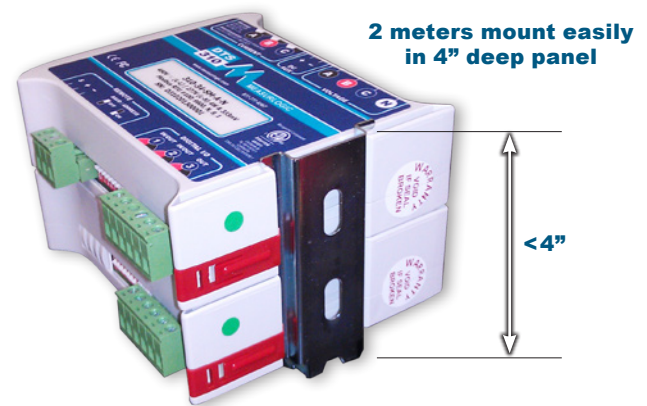
- Ability to mount 1 or 2 DTS meters on a single bracket
- Allows for mounting in shallow depth enclosures
- Quick removal of DTS meter(s) - no screwdriver needed
- Secure installation with integrated end-stops

### MOUNTING CONFIGURATIONS

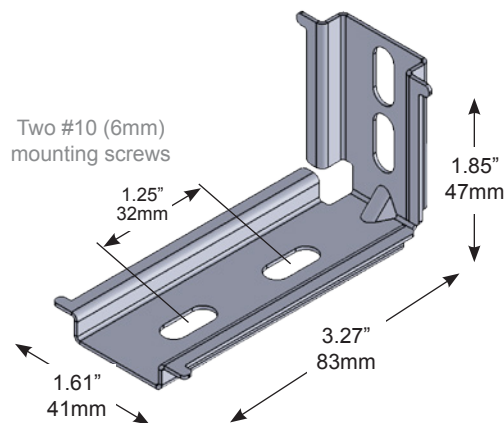
#### One Meter



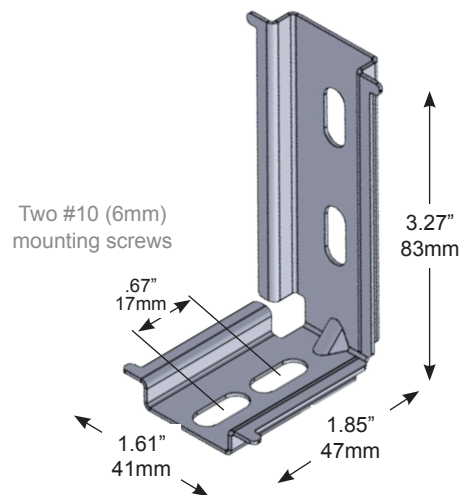
#### Two Meters



### DIMENSIONS\*



### DIMENSIONS\*



### ORDERING INFORMATION

Part number: **CHWR-0200**



Call Toll Free: 877-PQ-SOLNS (877-777-6567)

Fax (425) 799-4780

email: [info@measurlogic.com](mailto:info@measurlogic.com)

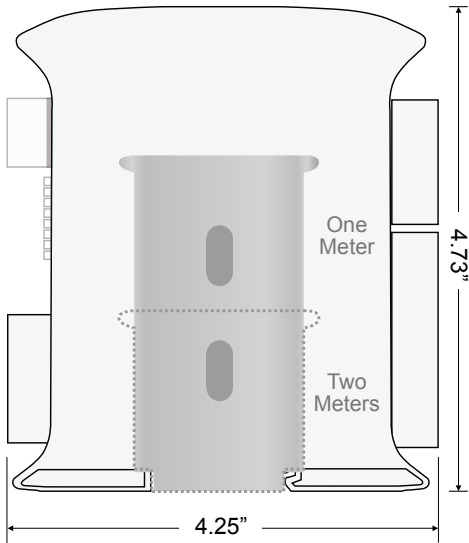
\* Drawings are for illustrative purposes only  
Technical details subject to change

**MEASURLOGIC**

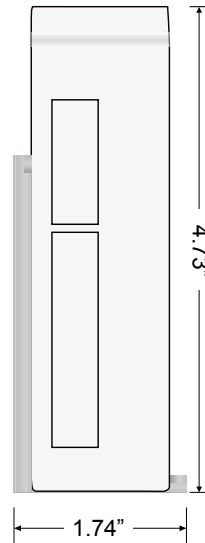
[www.measurlogic.com](http://www.measurlogic.com)

**VERTICAL MOUNTING WITH RIGHT ANGLE MOUNTING BRACKET**

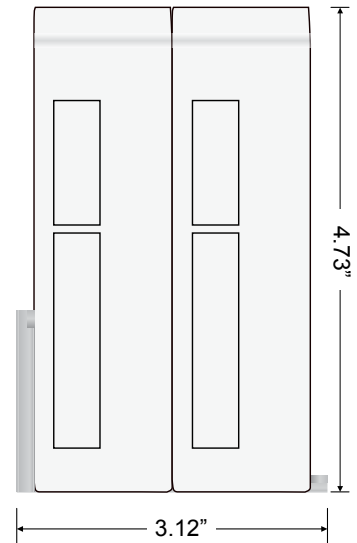
**Vertical Mounting**



**One Meter**



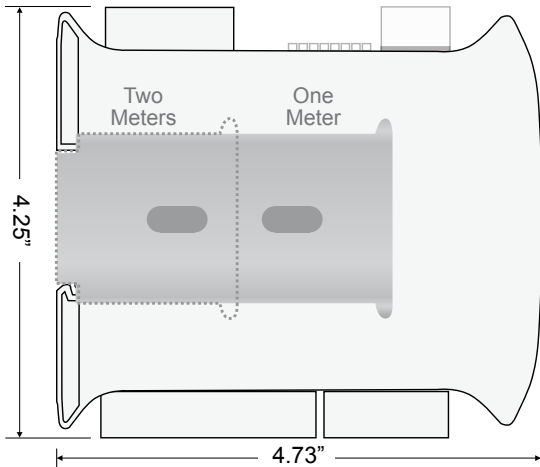
**Two Meters**



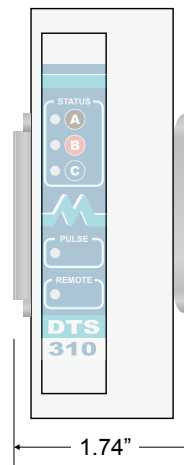
Right Angle Mounting Bracket (part# CHWR-0200) allows for Vertical mounting of 1 or 2 DTS 310 / DC Meters.

**HORIZONTAL MOUNTING WITH RIGHT ANGLE MOUNTING BRACKET**

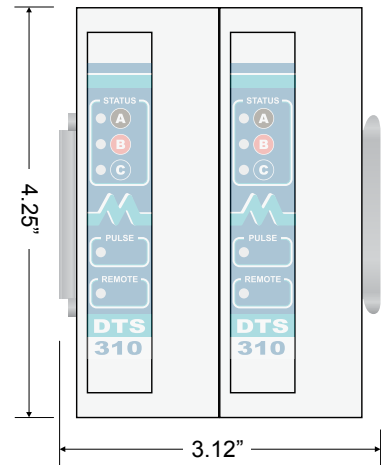
**Horizontal Mounting**



**One Meter**



**Two Meters**



Right Angle Mounting Bracket (part# CHWR-0200) allows for Horizontal mounting of 1 or 2 DTS 310 / DC Meters.

**ORDERING INFORMATION**

**Part number: CHWR-0200**



**Call Toll Free: 877-PQ-SOLNS (877-777-6567)**

**Fax (425) 799-4780**

**email: [info@measurlogic.com](mailto:info@measurlogic.com)**

**Distributor:**

\* Drawings are for illustrative purposes only  
Technical details subject to change