

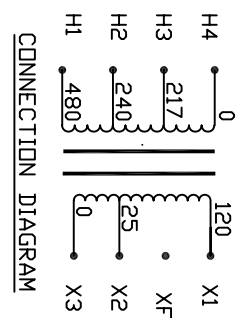
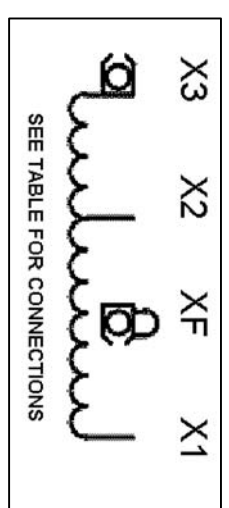
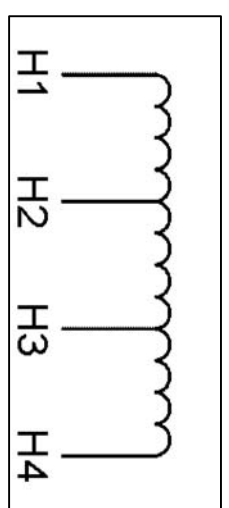
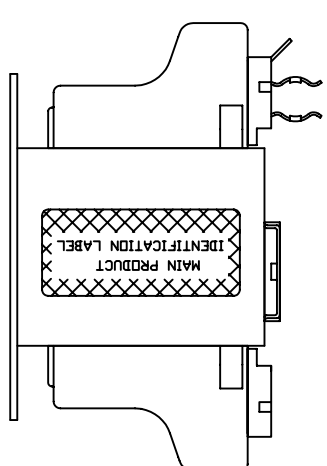
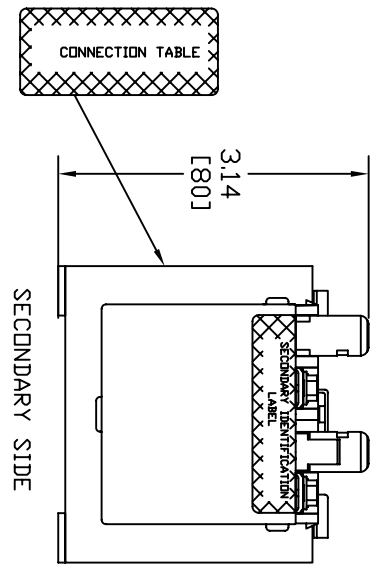
TERMINAL SCREWS ARE COMBINATION 8-32 PHIL-SLOT-1/4" HEX WITH SEMS WASHER

CONNECTION TABLE LABEL

INPUT VOLTAGE	OUTPUT VOLTAGE
HH-48	XF-X2
HH-240	XF-X1
HH-480	25
HH-230	120
HH-440	115
220	24
	110
	22

NOTE: IF BOTH OUTPUTS ARE USED SIMULTANEOUSLY, TAPPING SHOULD BE DONE OUT OF THE TOP/CONNER, WITH NO REFLECTIONS XF

Transformer Specifications	
PRIMARY VOLTAGE(S)	208/230/460 (TRIPLE RATED)
SECONDARY VOLTAGE(S)	24/115
RATED V.A.	50
RATED FREQUENCY	50/60
INSULATION CLASS	105
AGENCY APPROVALS	UL, CUL
ESTIMATED WEIGHT	4.3 LBS



- NOTE:
1. TORQUE CONNECTIONS TO 16 LB-IN
 2. FUSE CLIPS TO ACCOMADATE 13/32-1 1/2"
 3. ALL MEASUREMENTS IN INCHES (MM)

MAIN PRODUCT IDENTIFICATION LABEL

MICRON IMPERVITRAN
 U.S. PAT. NO. 3,516,040
 50VA 50/60HZ
 TEMP CL. 105°C
 CAT. NO. B050-2000-1
 SERIES 2
 080983

PACKAGED ACCESSORIES

DATE	BY	REVISION
6/13/07	JGV	ISSUED
		APPROVED

MICRON INDUSTRIES CORPORATION
 17700 CHURCH ROAD, SUITE 100, FORT WORTH, TEXAS 76155
 817-335-1100
 www.microntransformer.com

SCALE: NONE
 PART NO: B050-2000-1