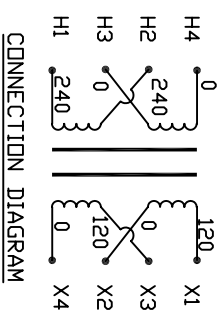
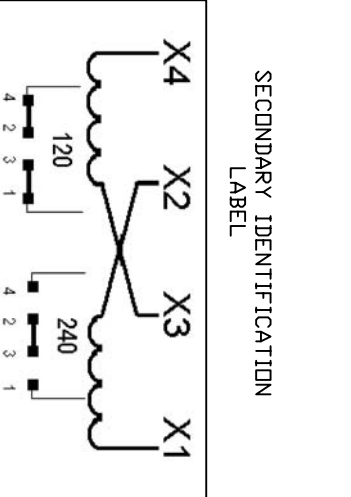
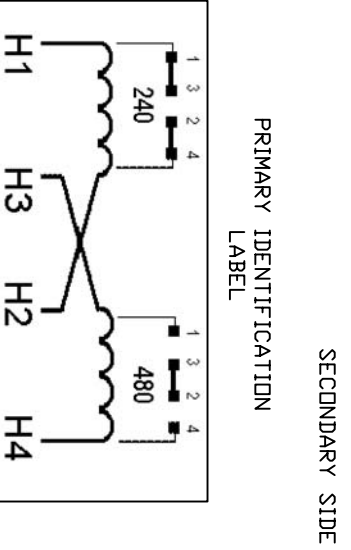
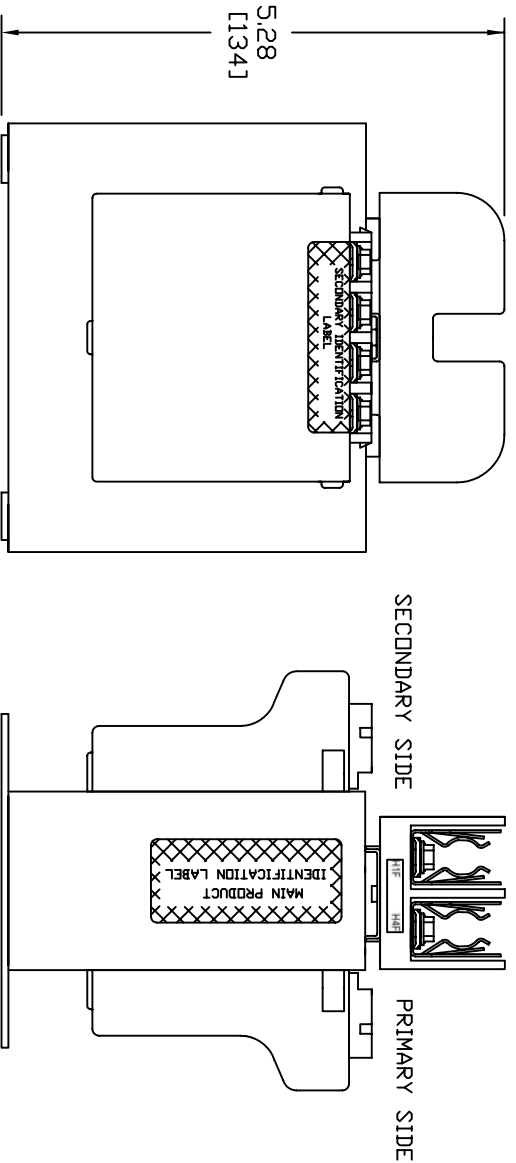


Transformer Specifications	
PRIMARY VOLTAGE(S)	240x480
SECONDARY VOLTAGE(S)	120x240
RATED V.A.	250
RATED FREQUENCY	50/60
INSULATION CLASS	130
AGENCY APPROVALS	UL, CUL
ESTIMATED WEIGHT	9.3 LBS



NOTE:
 1. TORQUE CONNECTIONS TO 16 LB-IN
 2. ALL MEASUREMENTS IN INCHES (MM)

MAIN PRODUCT IDENTIFICATION LABEL

MICRON SCIENTIFIC TRANSFORMERS
 800.664.4660
 WWW.MICRONTRANSFORMERS.COM

ImperVITRAN
 U.S. PAT. NO. 3516040

250VA 50/60HZ
 TEMP CL. 130°C

CAT. NO. B250PU1519RRF
 SERIES 2

02084

PACKAGED ACCESSORIES

1	2 PAIR OF JUMPERS
-	-
-	-

RECEIVE DATE: 1/4/08
 SHIP DATE: JGV
 ORDERED: APPROVED:

MICRON INDUSTRIES CORPORATION
 14100 S. 10TH AVE., SUITE 100
 TOLSON, CO. 80132
 TEL: (303)896-1000
 WWW.MICRONTRANSFORMERS.COM

SIZE: NONE
 MODEL: B250PU1519RRF