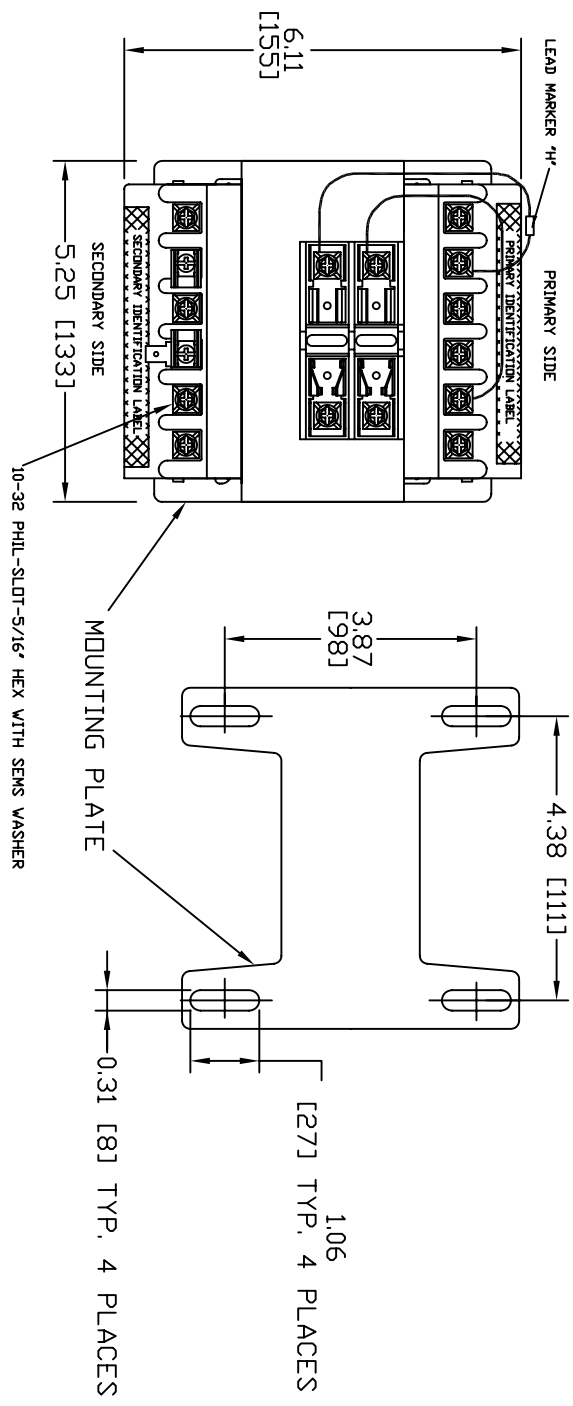


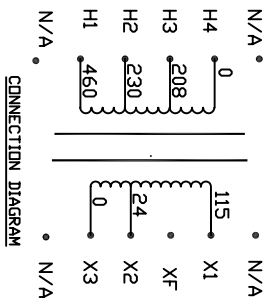
| Transformer Specifications | |
|----------------------------|----------------------|
| PRIMARY VOLTAGE(S) | 208/230/460 (TRIPLE) |
| SECONDARY VOLTAGE(S) | 24/115 |
| RATED V.A. | 300 |
| RATED FREQUENCY | 50/60 |
| INSULATION CLASS | 130 |
| AGENCY APPROVALS | UL/CUL |
| ESTIMATED WEIGHT | 14.1 LBS |



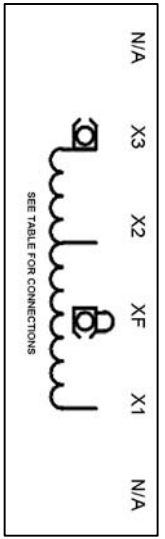
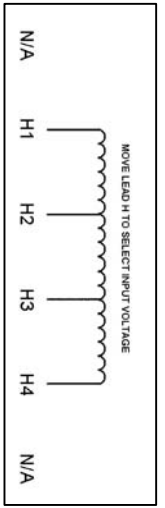
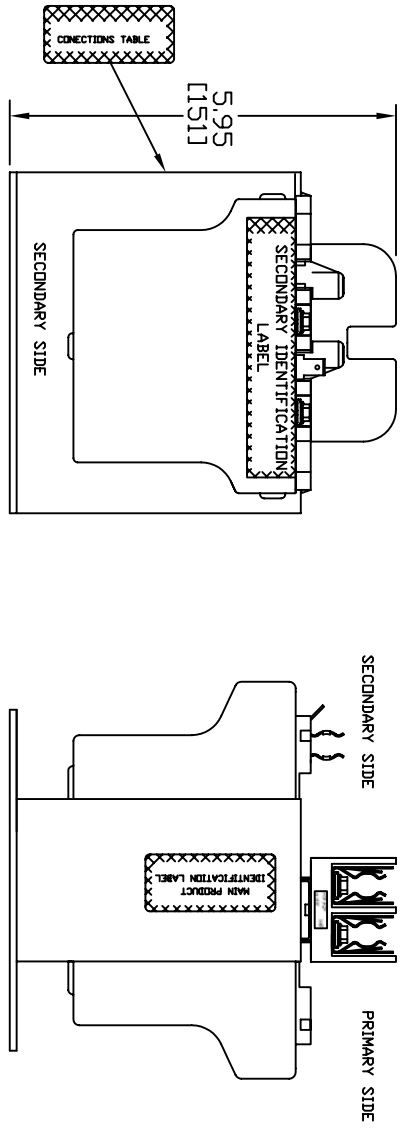
CONNECTION TABLE LABEL

| MARKER | VOLTAGE | WATTAGE | WATTAGE | WATTAGE | WATTAGE |
|--------|---------|---------|---------|---------|---------|
| H4-H3 | 460V | 460W | 460W | 460W | 460W |
| H3 | 230V | 230W | 230W | 230W | 230W |
| H2 | 230V | 230W | 230W | 230W | 230W |
| H1 | 230V | 230W | 230W | 230W | 230W |

NOTE: IF BOTH OUTPUT ARE USED, MAXIMUM WATTAGE SHOULD BE ONE (1) OF THE TWO OUTPUTS, NOT TO EXCEED 460 WATT.



- NOTE:
1. FUSE CLIPS TO ACCOMMODATE 1/32-1 1/2"
 2. ALL MEASUREMENTS IN INCHES (MM)



MAIN PRODUCT IDENTIFICATION LABEL

MICROSON
 IMPERVITRAN
 U.S. PAT. NO. 3516040
 300VA
 TEMP. CL. 130°C
 50/60HZ
 CAT. NO. B300-2006-8F
 SERIES 2
 07085

PACKAGED ACCESSORIES

| | |
|---|--|
| 1 | |
|---|--|

MICROSON
 TRANSFORMERS CORPORATION
 14, GARDNER
 10/31/07
 JGV
 B300-2006-8F