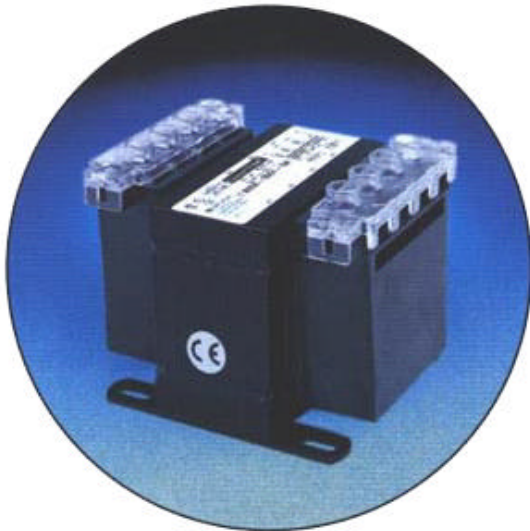


# GlobalTRAN™



**GlobalTRAN®** products carry the CE mark, certifying 100% compliance with IEC requirements for Non-Short Circuit Proof Isolating Transformers. GlobalTRAN control transformers feature touch-proof terminals, utilizing either Micron's SafeTouch terminal covers or a touch-proof terminal block, and meet true IP-20 or IP-00 terminal protection ratings as defined by IEC-529.

GlobalTRAN is the most reliable and versatile control transformer in the industry today.

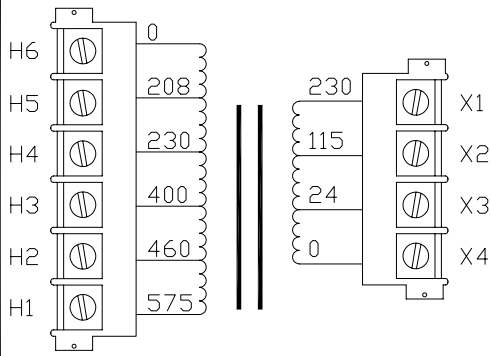
- Carries the CE mark
- Epoxy encapsulated coils
- 20-year warranty, double the industry standard
- SafeTouch terminals for additional safety
- Optional integral primary and/or secondary fusing
- 10-32 screw terminals, molded terminal barriers
- Molded-in terminals and phil-slot screws



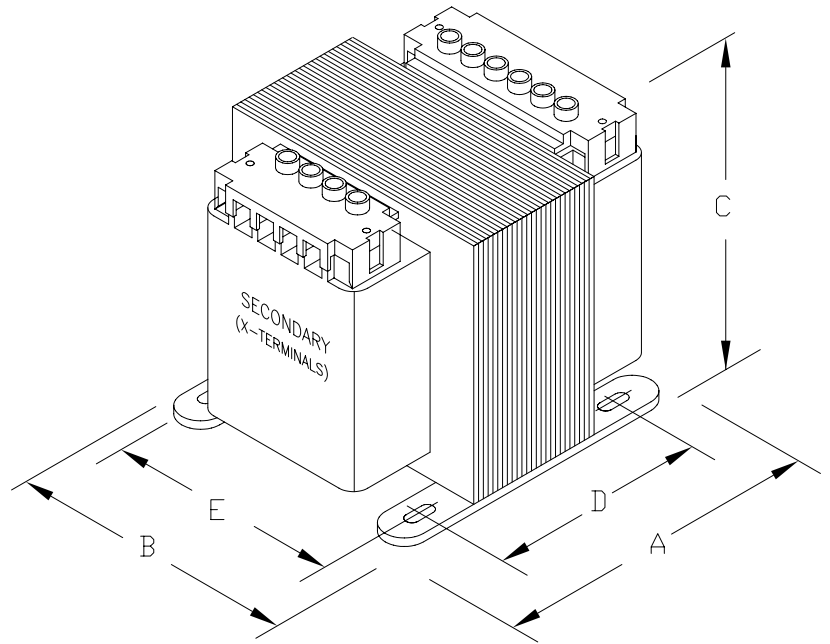
If you have any questions or we can be of any assistance in helping you determine your transformer requirements, please call our Technical Support Group at:

**1-800-664-4660**

[www.microntransformers.com](http://www.microntransformers.com)



CONNECTION DIAGRAM



PROVIDED WITH SAFE TOUCH TERMINAL COVERS  
 NO INTEGRAL FUSING CAPABILITY.

DIMENSIONS							APPROX. WT. LBS (KG)
	A	B	C	D	E	MTG. SLOTS	
INCHES (MM)	5.25 (133)	4.50 (114)	4.00 (102)	4.75 (121)	3.75 (95)	0.203X0.844 (5.1X21.4)	



**MICRON INDUSTRIES CORPORATION**  
 777 CHURCH ROAD - ELMHURST, IL 60126  
 Tel. (800) 664-4660, (630) 516-1222 Fax (630) 516-1820  
 www.MicronTransformers.com

CAT. NO.	<b>B300-2264-GAF</b>						CONST.	<b>ENCAPSULATED</b>	UL LISTED
							MODEL	<b>GLOBALTRAN</b>	
<b>RATING</b>									
OUTPUT AMPS	12.5/2.6/1.3	PRIMARY V	208/230/400/460/575			TEMP. CLASS	HZ	CE IEC 61558	
VA	300	SECONDARY V	24/115/230			130°C	50/60 REVISION <b>G</b>		