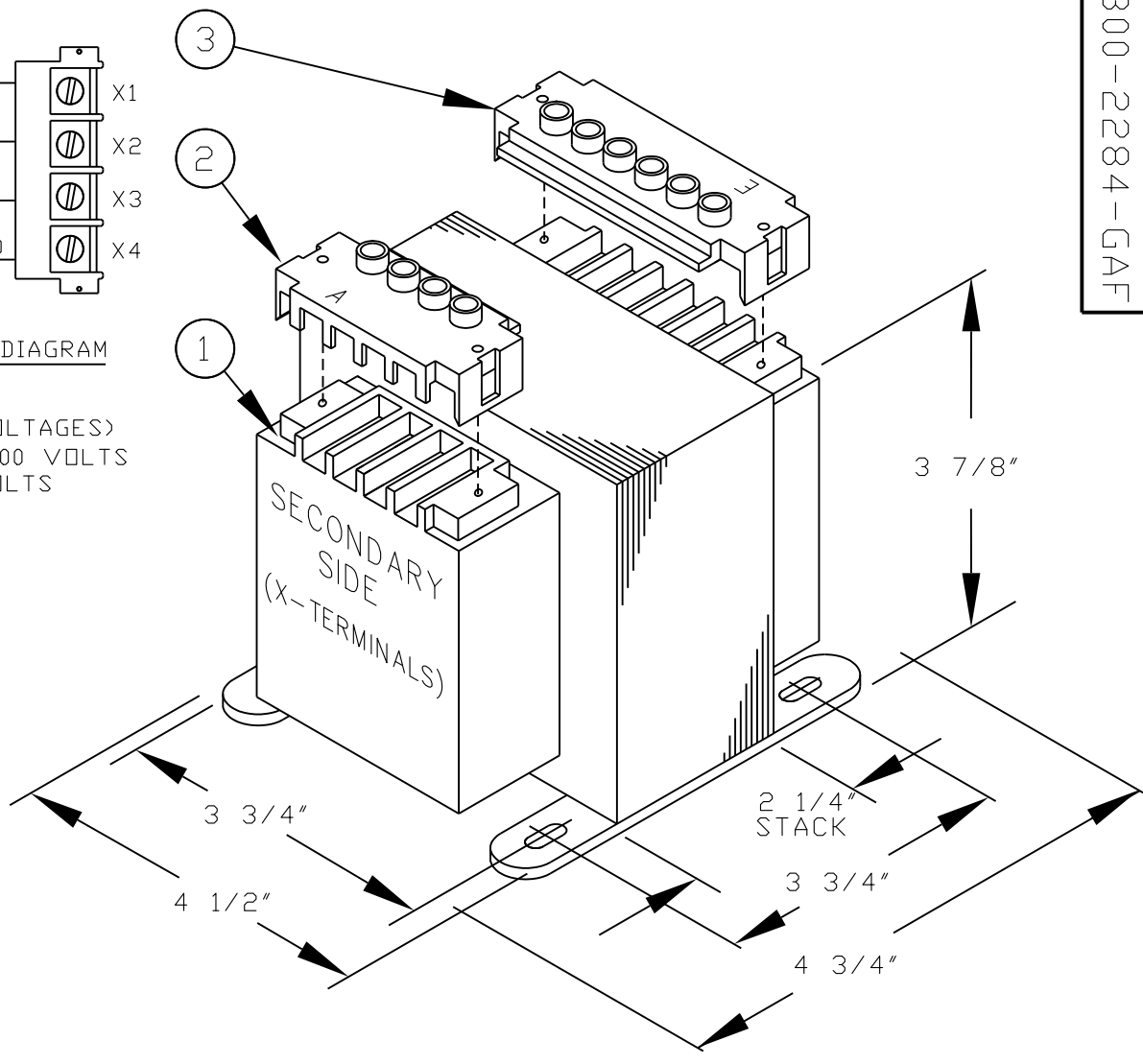


RATING: 300VA 50/60HZ
 (UNIVERSAL VOLTAGES)
 PRI. 240/416/480/600 VOLTS
 SEC. 99/120/130 VOLTS
 TEMP.CLASS 130
 PER IEC 558



Assembly instructions: _____

| | | |
|--|----|---------------------------|
| | | |
| | | |
| | a | APPLY LABELS PER 361-0020 |
| | | ASSEMBLY Instructions |
| | 8 | |
| | 7 | |
| | 6 | |
| | 5 | |
| | 4 | |
| | 3 | TERMINAL COVER "E" |
| | 2 | TERMINAL COVER "A" |
| | 1 | BASE MODEL 626-0038 |
| | IT | ITEM DESCRIPTION |

FOR TEST REQUIREMENTS SEE: 626-0038
 TREATMENT:
 IMPERV VALU ECON GLOBAL
 VACUUM IMPREGNANT, TYPE _____
 OTHER _____

See BILL OF MATERIAL for ITEM Quantity and Part Number


 MICRON INDUSTRIES CORPORATION
 777 CHURCH ROAD - ELMHURST, IL 60126
 Tel. (630) 516-1222 Fax (630) 516-1825

| | | | | |
|--------------|--------|-------------------|--------|---------|
| DATE | 2/2/04 | DRAWN | J.G.V. | CHECKED |
| RELEASE DATE | | CUSTOMER PART NO. | | |
| DRAWING NAME | | | | |

| | | | |
|-----|-----------|-----|--------|
| G | NEW | J.V | 2/2/04 |
| ECL | REVISIONS | BY | DATE |

| | | | |
|----------------|---|-------|------|
| SIZE | A | SCALE | NONE |
| FINAL ASSEMBLY | | | |
| B300-2284-GAF | | | |