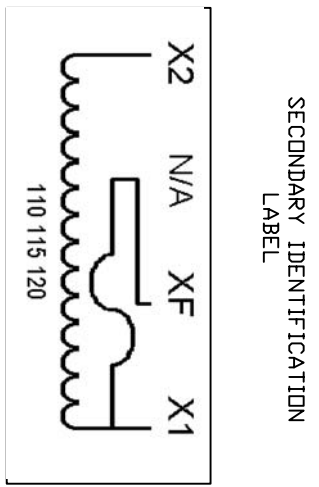
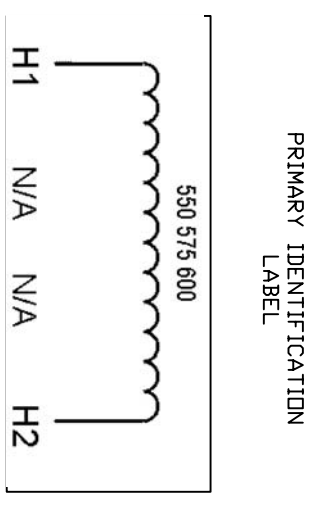
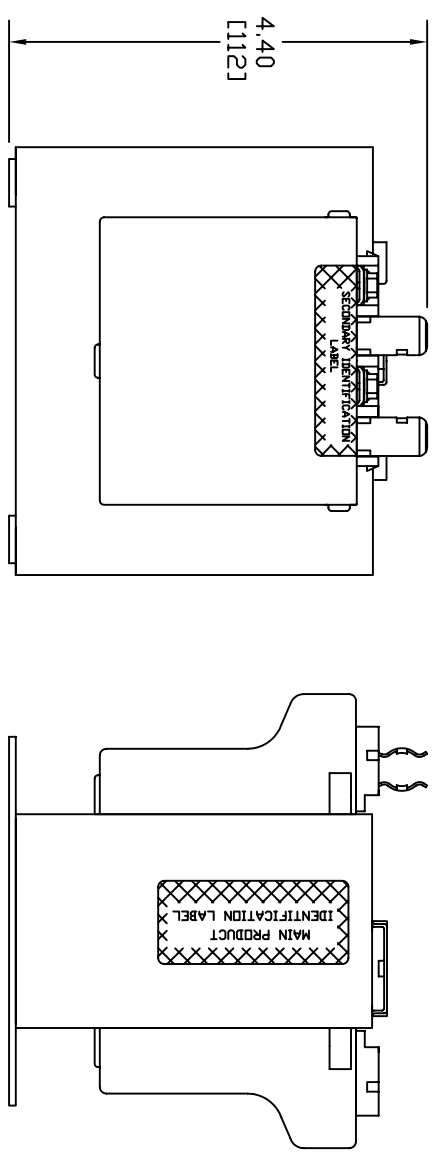
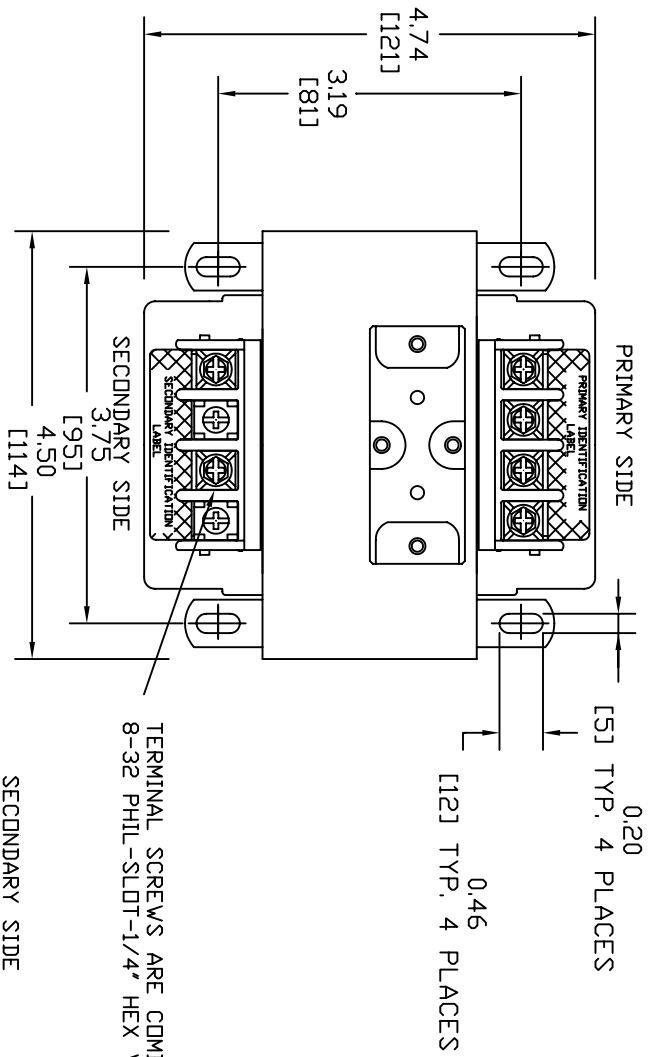
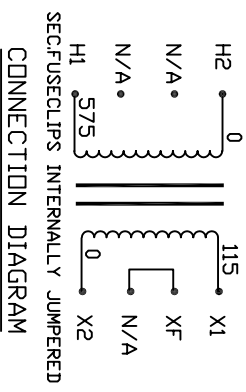


Transformer Specifications	
PRIMARY VOLTAGE(S)	575 (TRIPLE RATED)
SECONDARY VOLTAGE(S)	115
RATED V.A.	300
RATED FREQUENCY	50/60
INSULATION CLASS	130
AGENCY APPROVALS	UL, CUL
ESTIMATED WEIGHT	108 LBS



- NOTE:
1. TORQUE CONNECTIONS TO 16 LB-IN
 2. FUSE CLIPS TO ACCOMMODATE 13/32-1 1/2"
 3. ALL MEASUREMENTS IN INCHES (MM)



MAIN PRODUCT IDENTIFICATION LABEL

MICRON TRANSFORMERS CONTROL TRANSFORMERS
 800 664-4660
 www.MicronTransformers.com

Impervitran
 U.S. PAT. NO. 3516040

300VA 50/60Hz
 TEMP CL. 130°C

CAT. NO. B300WZ13XKF
 SERIES 2

13084

UL US LISTED 702X

PACKAGED ACCESSORIES	
1	-
-	-
-	-

MICRON PART NO.	B300WZ13XKF
DATE	11/26/07
RELEASE DATE	11/26/07
DESIGNER	JGV
CHECKED	
APPROVED	