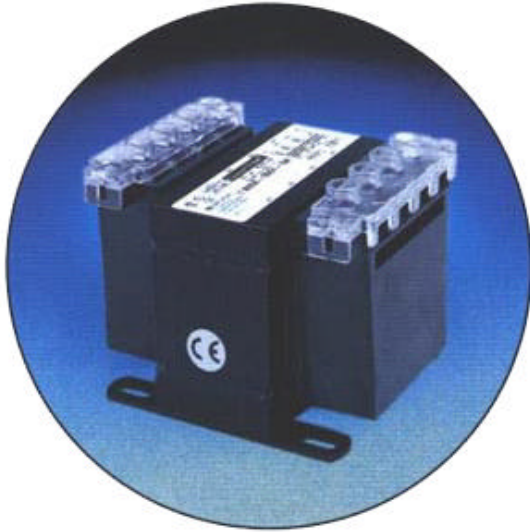


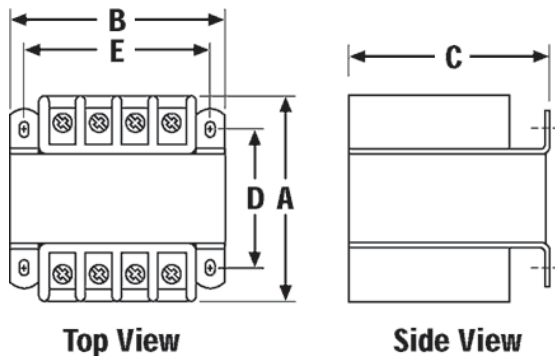
# GlobalTRAN™



**GlobalTRAN®** products carry the CE mark, certifying 100% compliance with IEC requirements for Non-Short Circuit Proof Isolating Transformers. GlobalTRAN control transformers feature touch-proof terminals, utilizing either Micron's SafeTouch terminal covers or a touch-proof terminal block, and meet true IP-20 or IP-00 terminal protection ratings as defined by IEC-529.

GlobalTRAN is the most reliable and versatile control transformer in the industry today.

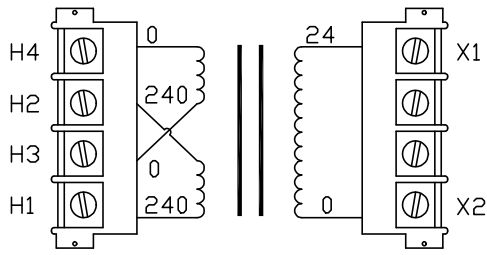
- Carries the CE mark
- Epoxy encapsulated coils
- 20-year warranty, double the industry standard
- SafeTouch terminals for additional safety
- Optional integral primary and/or secondary fusing
- 10-32 screw terminals, molded terminal barriers
- Molded-in terminals and phil-slot screws



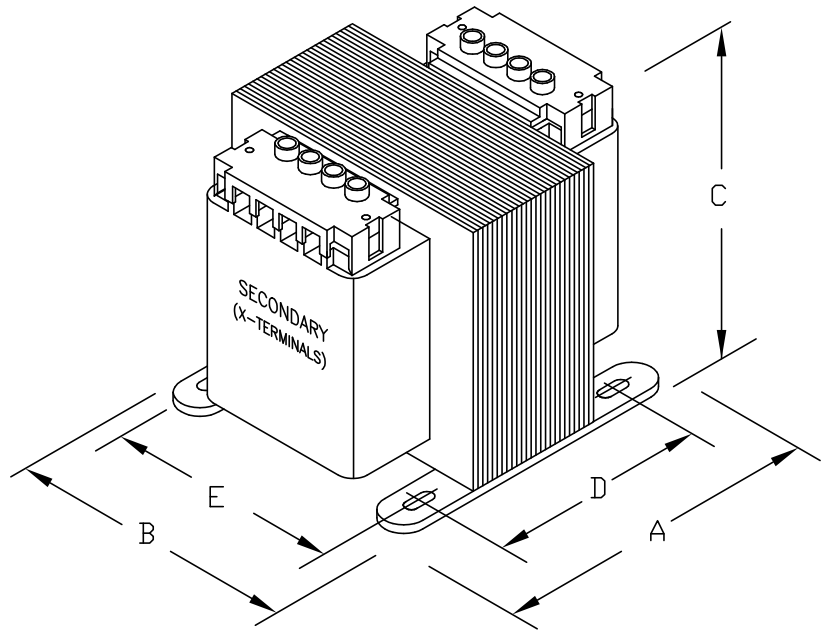
If you have any questions or we can be of any assistance in helping you determine your transformer requirements, please call our Technical Support Group at:

**1-800-664-4660**

[www.microntransformers.com](http://www.microntransformers.com)



CONNECTION DIAGRAM



PROVIDED WITH SAFE TOUCH TERMINAL COVERS.  
NO INTEGRAL FUSING CAPABILITY.

| DIMENSIONS     |              |              |              |              |              |                           | APPROX. WT.<br>LBS<br>(KG) |
|----------------|--------------|--------------|--------------|--------------|--------------|---------------------------|----------------------------|
|                | A            | B            | C            | D            | E            | MTG. SLOTS                |                            |
| INCHES<br>(MM) | 3.38<br>(86) | 3.00<br>(76) | 3.00<br>(76) | 2.20<br>(56) | 2.50<br>(64) | 0.203X0.460<br>(5.1X11.7) | 3.4<br>(1.6)               |



**MICRON INDUSTRIES CORPORATION**  
777 CHURCH ROAD - ELMHURST, IL 60126  
Tel. (800) 664-4660, (630) 516-1222 Fax (630) 516-1820  
www.MicronTransformers.com

|                              |      |             |                            |  |             |                   |                        |
|------------------------------|------|-------------|----------------------------|--|-------------|-------------------|------------------------|
| CAT. NO. <b>B050-0011-GA</b> |      |             | CONST. <b>ENCAPSULATED</b> |  |             | UL LISTED         |                        |
| CATALOG GROUP <b>GB</b>      |      |             | MODEL <b>GLOBALTRAN</b>    |  |             |                   |                        |
| <b>RATING</b>                |      |             |                            |  |             |                   | SP CERTIFIED<br><br>CE |
| OUTPUT AMPS                  | 2.08 | PRIMARY V   | 240X480                    |  | TEMP. CLASS | HZ 50/60          |                        |
| VA                           | 50   | SECONDARY V | 24                         |  | 105-C       | REVISION <b>G</b> |                        |