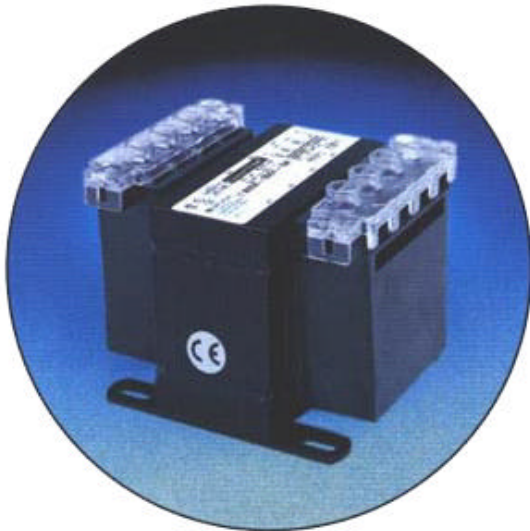


GlobalTRAN™



GlobalTRAN® products carry the CE mark, certifying 100% compliance with IEC requirements for Non-Short Circuit Proof Isolating Transformers. GlobalTRAN control transformers feature touch-proof terminals, utilizing either Micron's SafeTouch terminal covers or a touch-proof terminal block, and meet true IP-20 or IP-00 terminal protection ratings as defined by IEC-529.

GlobalTRAN is the most reliable and versatile control transformer in the industry today.

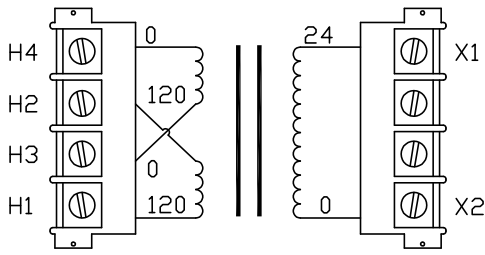
- Carries the CE mark
- Epoxy encapsulated coils
- 20-year warranty, double the industry standard
- SafeTouch terminals for additional safety
- Optional integral primary and/or secondary fusing
- 10-32 screw terminals, molded terminal barriers
- Molded-in terminals and phil-slot screws



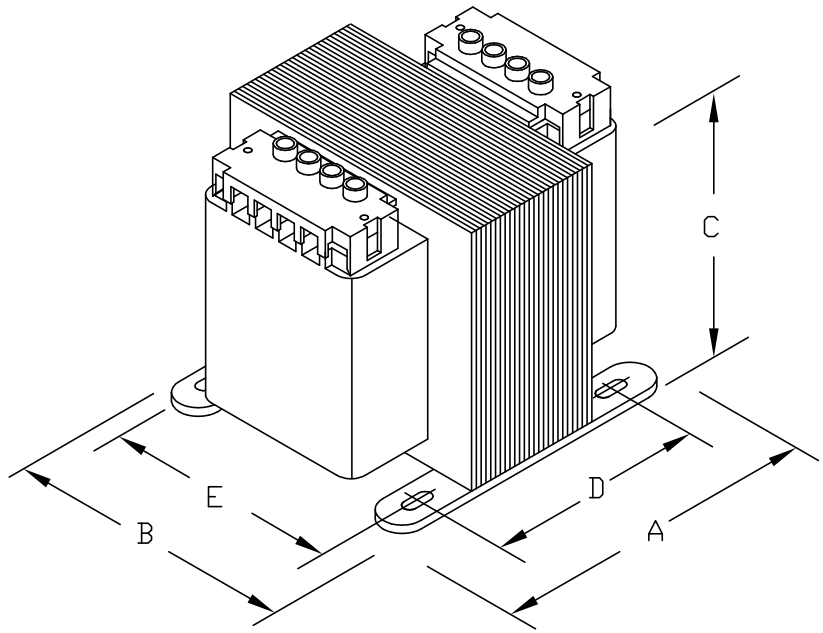
If you have any questions or we can be of any assistance in helping you determine your transformer requirements, please call our Technical Support Group at:

1-800-664-4660

www.microntransformers.com



CONNECTION DIAGRAM



PROVIDED WITH SAFE TOUCH TERMINAL COVERS.
 NO INTEGRAL FUSING CAPABILITY.

| DIMENSIONS | | | | | | | APPROX. WT. LBS (KG) |
|----------------|---------------|---------------|---------------|--------------|--------------|---------------------------|----------------------------|
| | A | B | C | D | E | MTG. SLOTS | |
| INCHES (MM) | 4.75 (121) | 4.50 (114) | 4.00 (102) | 3.19 (81) | 3.75 (95) | 0.203X0.460 (5.1X11.7) | 11.0 (5.1) |



MICRON INDUSTRIES CORPORATION
 777 CHURCH ROAD - ELMHURST, IL 60126
 Tel. (800) 664-4660, (630) 516-1222 Fax (630) 516-1820
 www.MicronTransformers.com

| | | | | | | | |
|-----------------------------|-------|-------------|----------------------------|--|-------------|-------------------|------------------------|
| CAT.NO. B250-0026-GA | | | CONST. ENCAPSULATED | | | UL LISTED | |
| CATALOG GROUP GC | | | MODEL GLOBALTRAN | | | | |
| RATING | | | | | | | SP CERTIFIED CE |
| OUTPUT AMPS | 10.42 | PRIMARY V | 120X240 | | TEMP. CLASS | HZ 50/60 | |
| VA | 250 | SECONDARY V | 24 | | 105°C | REVISION G | |