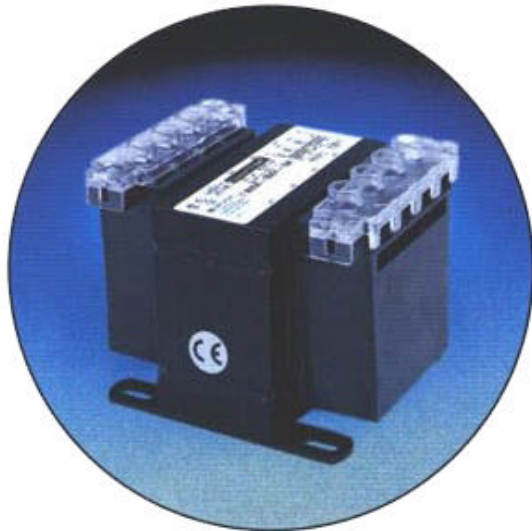


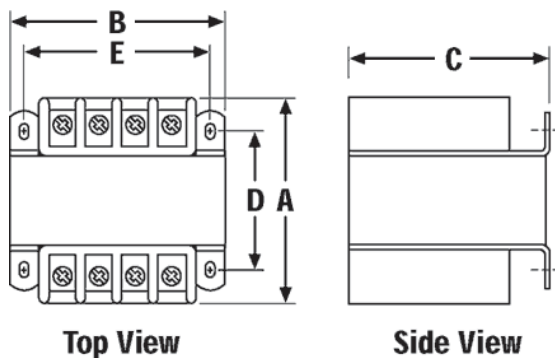
GlobalTRAN™



GlobalTRAN® products carry the CE mark, certifying 100% compliance with IEC requirements for Non-Short Circuit Proof Isolating Transformers. GlobalTRAN control transformers feature touch-proof terminals, utilizing either Micron's SafeTouch terminal covers or a touch-proof terminal block, and meet true IP-20 or IP-00 terminal protection ratings as defined by IEC-529.

GlobalTRAN is the most reliable and versatile control transformer in the industry today.

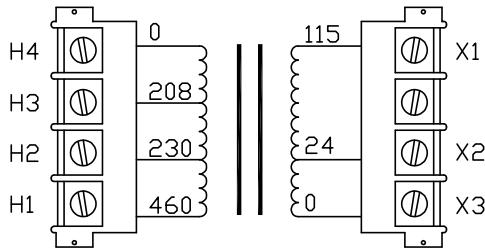
- Carries the CE mark
- Epoxy encapsulated coils
- 20-year warranty, double the industry standard
- SafeTouch terminals for additional safety
- Optional integral primary and/or secondary fusing
- 10-32 screw terminals, molded terminal barriers
- Molded-in terminals and phil-slot screws



If you have any questions or we can be of any assistance in helping you determine your transformer requirements, please call our Technical Support Group at:

1-800-664-4660

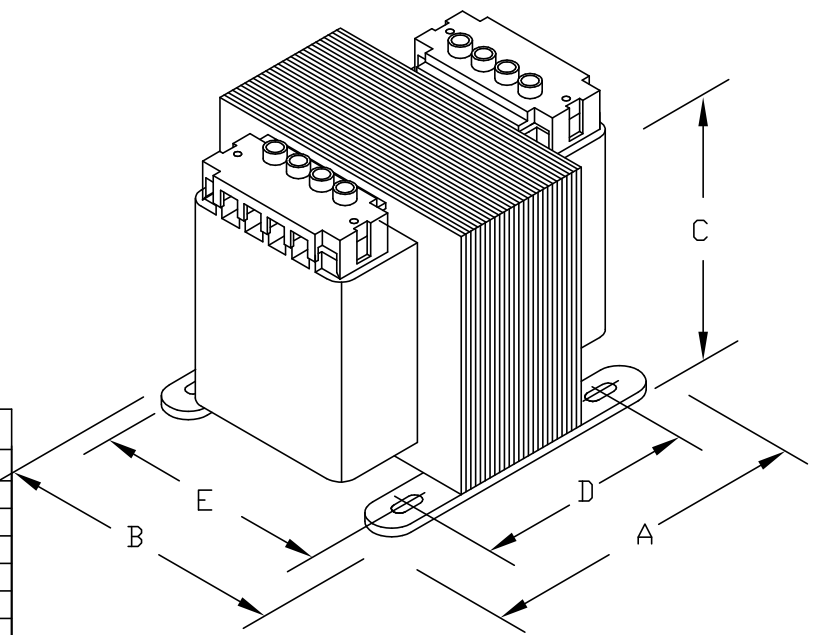
www.microntransformers.com



CONNECTION DIAGRAM

CONNECTION TABLE

PRIMARY		SECONDARY			
VOLT	TERM.	VOLT	TERM.	VOLT	TERM.
200	H4-H3	23	X3-X2	110	X3-X1
208	H4-H3	24	X3-X2	115	X3-X1
220	H4-H2	23	X3-X2	110	X3-X1
230	H4-H2	24	X3-X2	115	X3-X1
240	H4-H2	25	X3-X2	120	X3-X1
440	H4-H1	23	X3-X2	110	X3-X1
460	H4-H1	24	X3-X2	115	X3-X1
480	H4-H1	25	X3-X2	120	X3-X1



PROVIDED WITH SAFE TOUCH TERMINAL COVERS.
NO INTEGRAL FUSING CAPABILITY.

DIMENSIONS							APPROX. WT. LBS (KG)
	A	B	C	D	E	MTG. SLOTS	
INCHES (MM)	5.38 (137)	5.25 (133)	4.50 (114)	3.87 (98)	4.38 (111)	0.313X1.063 (8.0X27.0)	16.8 (7.6)



MICRON INDUSTRIES CORPORATION
777 CHURCH ROAD - ELMHURST, IL 60126
Tel. (800) 664-4660, (630) 516-1222 Fax (630) 516-1820
www.MicronTransformers.com

CAT. NO. B300-0107-GA			CONST. ENCAPSULATED			UL LISTED	
CATALOG GROUP GF			MODEL GLOBALTRAN				
RATING							SP CERTIFIED
OUTPUT AMPS	12.50/2.61	PRIMARY V	220/220/440, 208/230/460, 240/480		TEMP. CLASS	HZ 50/60	
VA	300	SECONDARY V	23/110, 24/115, 25/120		105°C	REVISION G	