

# GlobalTRAN™



**GlobalTRAN®** products carry the CE mark, certifying 100% compliance with IEC requirements for Non-Short Circuit Proof Isolating Transformers. GlobalTRAN control transformers feature touch-proof terminals, utilizing either Micron's SafeTouch terminal covers or a touch-proof terminal block, and meet true IP-20 or IP-00 terminal protection ratings as defined by IEC-529.

GlobalTRAN is the most reliable and versatile control transformer in the industry today.

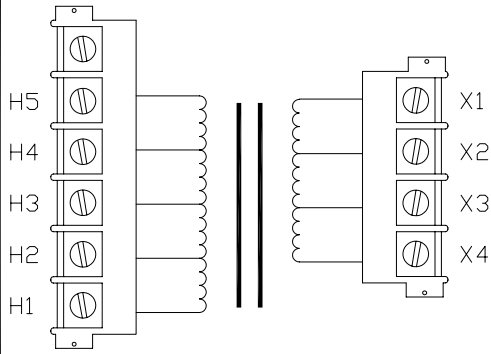
- Carries the CE mark
- Epoxy encapsulated coils
- 20-year warranty, double the industry standard
- SafeTouch terminals for additional safety
- Optional integral primary and/or secondary fusing
- 10-32 screw terminals, molded terminal barriers
- Molded-in terminals and phil-slot screws



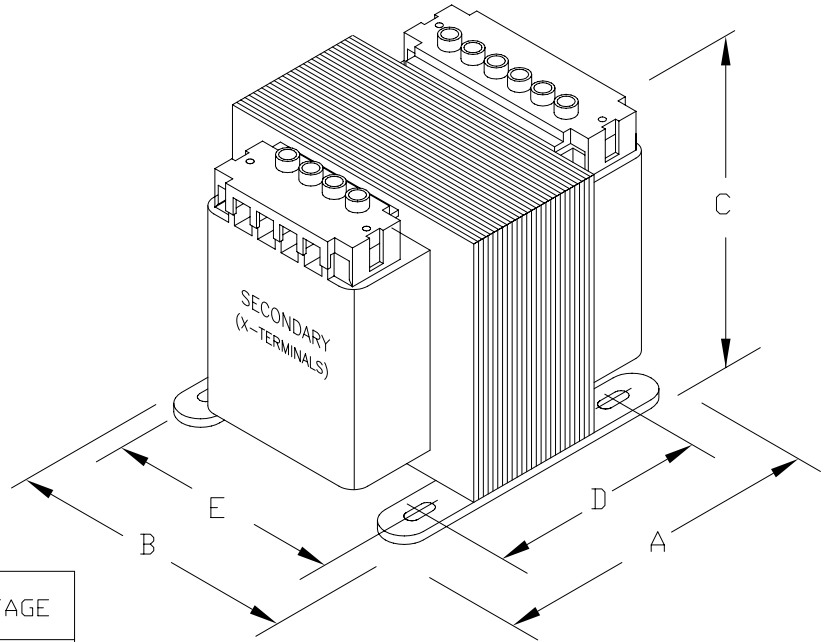
If you have any questions or we can be of any assistance in helping you determine your transformer requirements, please call our Technical Support Group at:

**1-800-664-4660**

[www.microntransformers.com](http://www.microntransformers.com)



CONNECTION DIAGRAM



CONNECTION TABLE

| INPUT VOLTAGE |       |       |       | OUTPUT VOLTAGE |       |       |
|---------------|-------|-------|-------|----------------|-------|-------|
| H1-H2         | H1-H3 | H1-H4 | H1-H5 | X1-X2          | X1-X3 | X1-X4 |
| 208           |       |       | 500   | 85             | 100   | 110   |
| 220           | 380   | 440   | 550   | 91             | 110   | 120   |
| 230           | 400   | 460   | 575   | 95             | 115   | 125   |
| 240           | 416   | 480   | 600   | 99             | 120   | 130   |

PROVIDED WITH SAFE TOUCH TERMINAL COVERS  
NO INTEGRAL FUSING CAPABILITY.

| DIMENSIONS     |               |               |               |               |               |                           | APPROX. WT.<br>LBS<br>(KG) |
|----------------|---------------|---------------|---------------|---------------|---------------|---------------------------|----------------------------|
|                | A             | B             | C             | D             | E             | MTG. SLOTS                |                            |
| INCHES<br>(MM) | 7.38<br>(187) | 5.25<br>(133) | 4.50<br>(114) | 5.88<br>(149) | 4.38<br>(111) | 0.313X1.063<br>(8.0X27.0) |                            |



**MICRON INDUSTRIES CORPORATION**  
777 CHURCH ROAD - ELMHURST, IL 60126  
Tel. (800) 664-4660, (630) 516-1222 Fax (630) 516-1820  
www.MicronTransformers.com

|               |                      |             |  |  |  |             |          |                     |              |           |
|---------------|----------------------|-------------|--|--|--|-------------|----------|---------------------|--------------|-----------|
| CAT. NO.      | <b>B750-2287-GAF</b> |             |  |  |  |             | CONST.   | <b>ENCAPSULATED</b> |              | UL LISTED |
|               |                      |             |  |  |  |             | MODEL    | <b>GLOBALTRAN</b>   |              |           |
| <b>RATING</b> |                      |             |  |  |  |             |          |                     |              |           |
| OUTPUT AMPS   | 5.77                 | PRIMARY V   | 240/416/480/600, 230/400/460/575, 220/380/440/550, 208/500 |  |  | TEMP. CLASS | HZ 50/60 |                     | CE IEC 61558 |           |
| VA            | 750                  | SECONDARY V | 99/120/130, 95/115/125, 91/110/120, 85/100/110             |  |  | 130°C       | REVISION | <b>G</b>            |              |           |