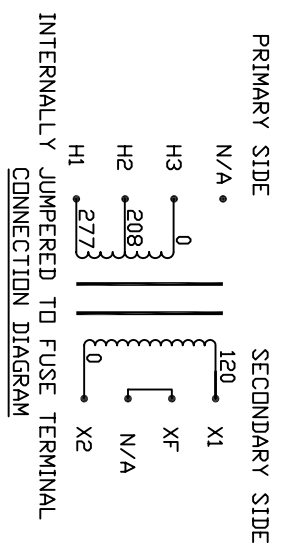
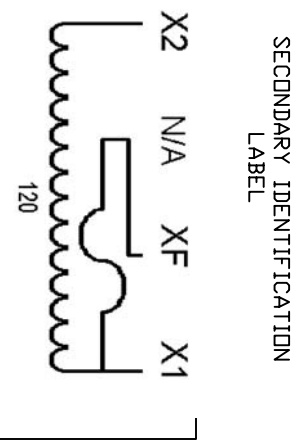


Transformer Specifications	
PRIMARY VOLTAGE(S)	208/277
SECONDARY VOLTAGE(S)	120
RATED V.A.	50
RATED FREQUENCY	50/60
INSULATION CLASS	105
AGENCY APPROVALS	UL, CUL
ESTIMATED WEIGHT	2.8 LBS

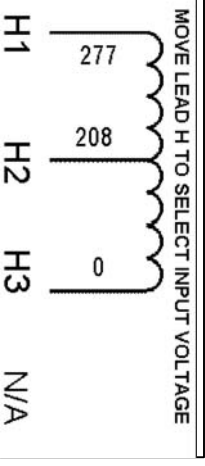


- NOTE:
1. TORQUE CONNECTIONS TO 16 LB-IN.
  2. FUSE CLIPS TO ACCOMMODATE 13/32-1 1/2".
  3. ALL MEASUREMENTS IN INCHES(MM).

MAIN PRODUCT IDENTIFICATION LABEL



PRIMARY IDENTIFICATION LABEL



MOVE LEAD H TO SELECT INPUT VOLTAGE

**MICRON CONTROL**  
 800 664-4660  
 www.microntransformers.com

**Impervitran**  
 U.S. PAT. NO. 3516040

50VA 50/60Hz  
 TEMP CL. 105°C

CAT. NO. B050MQ15RK  
 SERIES 2

09081

UL US LISTED 702X

PACKAGED ACCESSORIES	
1	
-	
-	

MICRON INDUSTRIES, CORPORATION  
 17100 CHURCH ROAD, ELKHART, IN 46516-0026  
 TEL: (800)544-4660 www.microntransformers.com

DATE: 11/25/07  
 RELEASE DATE: 11/25/07  
 DRAWN: J.G.V. CHECKED: APPROVED:

MICRON PART NO. B050MQ15RK