

IND. BOX LABEL

MICRON
TRANSFORMERS
12000 WILSON AVE
MILWAUKEE, WI 53217
www.microntransformers.com

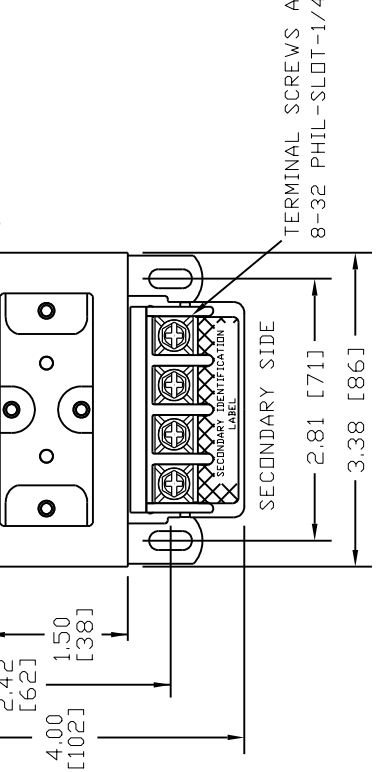
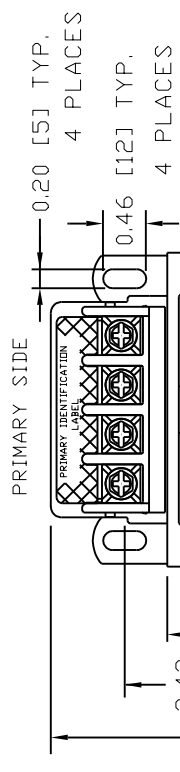
100VA
PRIMARY:
690
SECONDARY:
120X240
FREQUENCY:
50/60HZ

QTY. 1

MADE IN USA

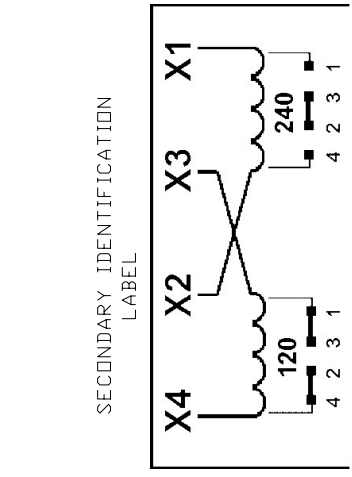
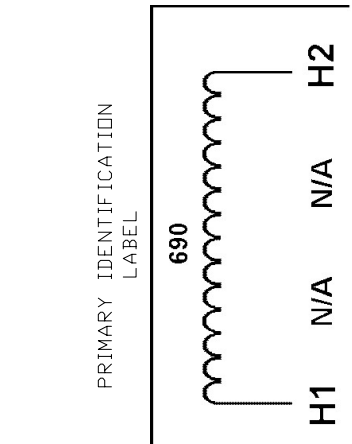
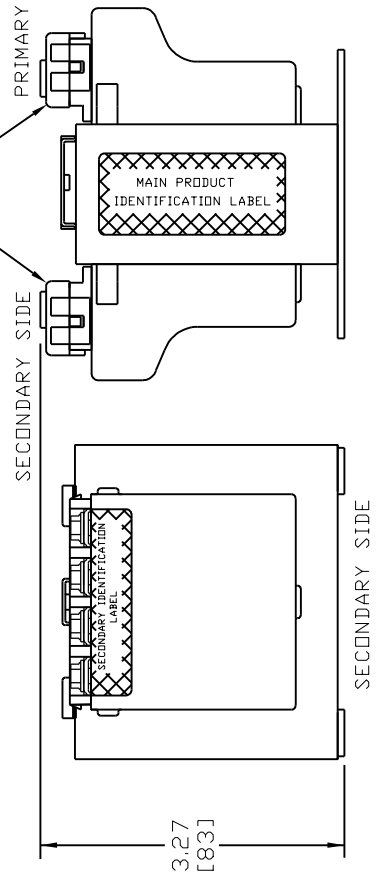
Cat. **B100-3657-5**
SERIES 2

24112



TERMINAL SCREWS ARE COMBINATION
8-32 PHIL-SLOT-1/4" HEX WITH SEMS WASHER

FOR CLARITY TOUCHPROOF TERMINAL
COVERS SHOWN ON END VIEW ONLY



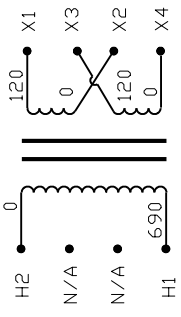
Transformer Specifications

PRIMARY VOLTAGE(S)	690
SECONDARY VOLTAGE(S)	120x240
RATED V.A.	100
RATED FREQUENCY	50/60
INSULATION CLASS	105
AGENCY APPROVALS	ND U.L. DR C.S.A. APPROVALS
ESTIMATED WEIGHT	4.1 LBS

TEST REQUIREMENTS

WINDING	H2-H1	X4-X3	X2-X1
D.C. VOLTS	480	90.4 *	90.4 *
LOAD VOLTS	480	83.48	83.48
F.L. AMPS	0.184	0.417	0.417
HI-POT	3000V	1800V	
EXCITING AMPS	0.08AMPS MAX @ 480VOLTS, 50HZ		
EXCITING WATTS	4.6 MAX		

* VOLTAGE TOLERANCE IS 89.72 TO 91.08 VOLTS



CONNECTION DIAGRAM

NOTE:
1. ALL MEASUREMENTS IN INCHES(MM).

MICRON
TRANSFORMERS
800 664-4660
www.microntransformers.com

Impervitran
U.S. PAT. NO. 3,516,040

100VA 50/60HZ
TEMP CL. 105°C

CAT. **B100-3657-5**
NO. **SERIES 2**

24112

MAIN PRODUCT IDENTIFICATION LABEL

PACKAGED ACCESSORIES

1	PAIR DF J2 JUMPERS
-	-
-	-

MICRON
TRANSFORMERS
1211 W. 25th Street, Suite 200, DAK BROOK, ILL.
Tel. (800)864-4660 Fax (630)516-1860
www.MicronPower.com

DATE 6/9/11 DRAWN J.G.V. CHECKED APPROVED

RELEASED CUSTOMER PART NO.

SYSTEM PART NO. B100-3657-5A7777A2

SIZE SCALE B SCALE B100-3657-5

AN004873	J.V	6/9/11	BY	DATE
A	NEW			
ECL REVISIONS				