

ImperviTRAN®



ImperviTRAN® is the ultra-reliable industrial control circuit transformer and the most accepted transformer in the industry. Behind its clean design is a toughness that makes it measure up to any requirement placed upon it. ImperviTRAN transformers carry Micron's 20-year warranty.

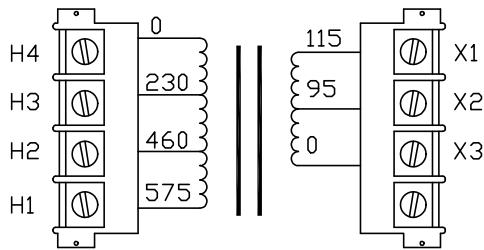
- Epoxy encapsulated coils
- 20-year warranty, double the industry standard
- Secondary fuse clips where applicable
- Optional primary fusing
- Molded terminal barriers
- 10-32 screw terminals
- Molded-in terminals
- Phil-slot screws



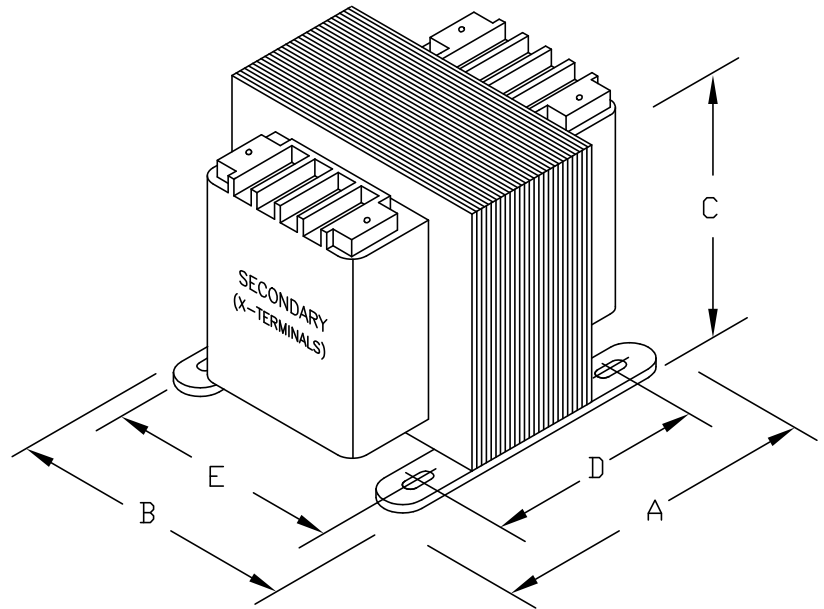
If you have any questions or we can be of any assistance in helping you determine your transformer requirements, please call our Technical Support Group at:

1-800-664-4660





CONNECTION DIAGRAM



SECONDARY FUSE CLIPS AND PRIMARY JUMPERS NOT APPLICABLE.

DIMENSIONS							APPROX.WT. LBS (KG)
	A	B	C	D	E	MTG. SLOTS	
INCHES (MM)	4.37 (111)	3.75 (95)	3.19 (81)	3.19 (81)	3.13 (79)	0.203X0.460 (5.1X11.7)	7.7 (3.5)



MICRON INDUSTRIES CORPORATION
777 CHURCH ROAD - ELMHURST, IL 60126
Tel. (800) 664-4660, (630) 516-1222 Fax (630) 516-1820
www.MicronTransformers.com

CAT.NO. B150BTW37XX			CONST. ENCAPSULATED			UL LISTED
CATALOG GROUP H			MODEL IMPERVITRAN			
RATING						
OUTPUT AMPS	1.58/1.30	PRIMARY V	230/460/575		TEMP. CLASS	HZ 50/60
VA	150	SECONDARY V	95/115		105°C	REVISION G