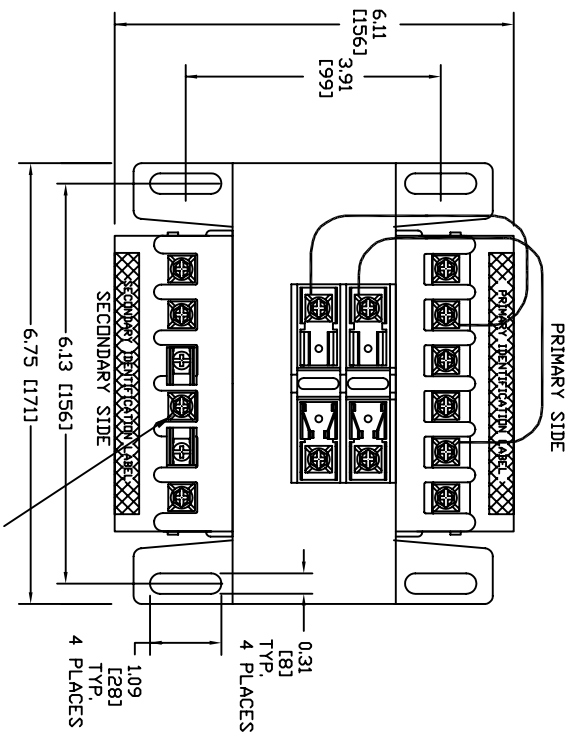
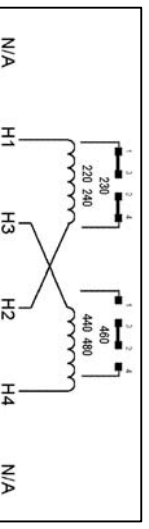
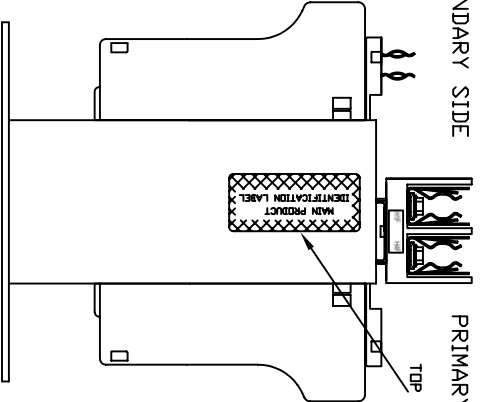
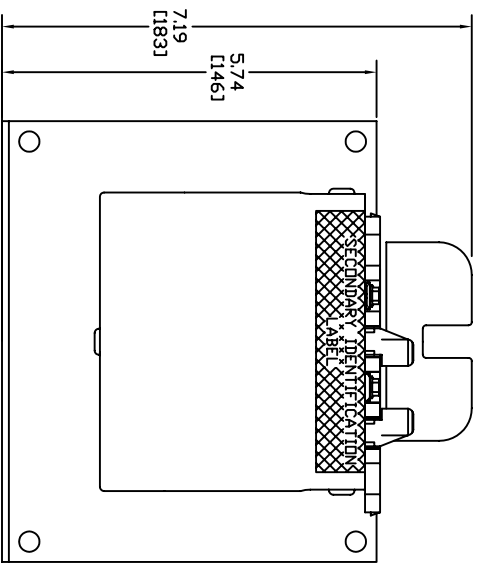


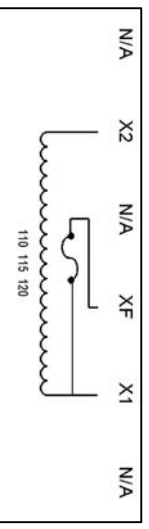
Transformer Specifications	
PRIMARY VOL(TAGE(S))	230x460 (TRIPLEX)
SECONDARY VOL(TAGE(S))	115
RATED V.A.	1000
RATED FREQUENCY	50/60
INSULATION CLASS	130
AGENCY APPROVALS	UL,CUL
ESTIMATED WEIGHT	30.5 LBS



10-32 PHIL-SLOT-5/16" HEX WITH SEMS WASHER



PRIMARY IDENTIFICATION LABEL



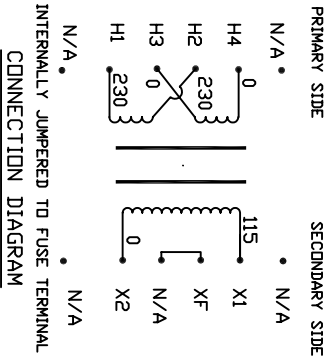
SECONDARY IDENTIFICATION LABEL

MAIN PRODUCT IDENTIFICATION LABEL

**MICRON CONTROL**  
**ImpervitrAN**  
 U.S. PAT. NO. 3571604D  
 1.0KVA 50/60HZ  
 TEMP CL. 130°C  
 CAT. NO. B1K0BTZ13RBF  
 SERIES 2  
 44075

UL US LISTED 702X

- NOTE:
1. FUSE CLIPS TO ACCOMMODATE 13/32-1 1/2"
  2. ALL MEASUREMENTS IN INCHES (MM)



PACKAGED ACCESSORIES	
1	1 PAIR OF JUMPERS
-	-
-	-

MICRON CONTROL  
 11/7/07  
 JGV  
 B1K0BTZ13RBF