

ImperviTRAN®



ImperviTRAN® is the ultra-reliable industrial control circuit transformer and the most accepted transformer in the industry. Behind its clean design is a toughness that makes it measure up to any requirement placed upon it. ImperviTRAN transformers carry Micron's 20-year warranty.

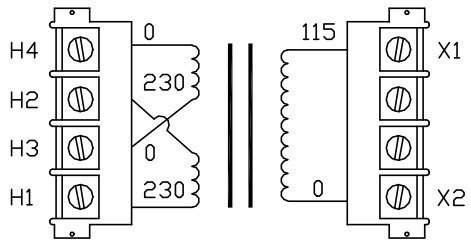
- Epoxy encapsulated coils
- 20-year warranty, double the industry standard
- Secondary fuse clips where applicable
- Optional primary fusing
- Molded terminal barriers
- 10-32 screw terminals
- Molded-in terminals
- Phil-slot screws



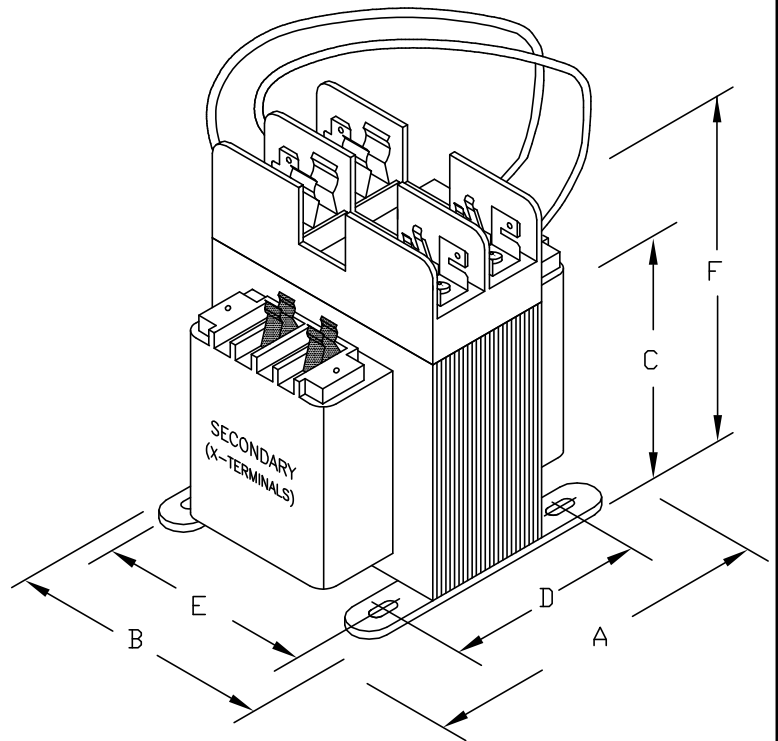
If you have any questions or we can be of any assistance in helping you determine your transformer requirements, please call our Technical Support Group at:

1-800-664-4660





CONNECTION DIAGRAM



PROVIDED WITH DUAL PRIMARY CLASS CC REJECTION FUSE BLOCK, PRIMARY J-2 JUMPERS AND SECONDARY FUSE CLIPS FOR 13/32 X 1-1/2" FUSE.

DIMENSIONS								APPROX.WT. LBS (KG)
DIMENSIONS	A	B	C	D	E	F	MTG. SLOTS	
INCHES (MM)	5.25 (133)	4.50 (114)	3.82 (97)	3.75 (95)	3.75 (95)	5.12 (130)	0.203X0.460 (5.1X11.7)	13.9 (6.3)



MICRON INDUSTRIES CORPORATION
 777 CHURCH ROAD - ELMHURST, IL 60126
 Tel. (800) 664-4660, (630) 516-1222 Fax (630) 516-1820
 www.MicronTransformers.com

CAT.NO. B350BTZ13RB				CONST. ENCAPSULATED		UL LISTED	
CATALOG GROUP A				MODEL IMPERVITRAN			
RATING							SP CERTIFIED
OUTPUT AMPS	3.04	PRIMARY V	240X480, 230X460, 220X440			TEMP. CLASS	
VA	350	SECONDARY V	120, 115, 110			HZ 50/60 REVISION G	