

# ImperviTRAN®



**ImperviTRAN®** is the ultra-reliable industrial control circuit transformer and the most accepted transformer in the industry. Behind its clean design is a toughness that makes it measure up to any requirement placed upon it. ImperviTRAN transformers carry Micron's 20-year warranty.

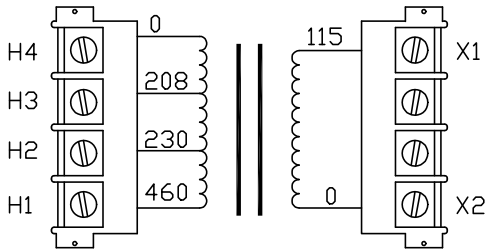
- Epoxy encapsulated coils
- 20-year warranty, double the industry standard
- Secondary fuse clips where applicable
- Optional primary fusing
- Molded terminal barriers
- 10-32 screw terminals
- Molded-in terminals
- Phil-slot screws



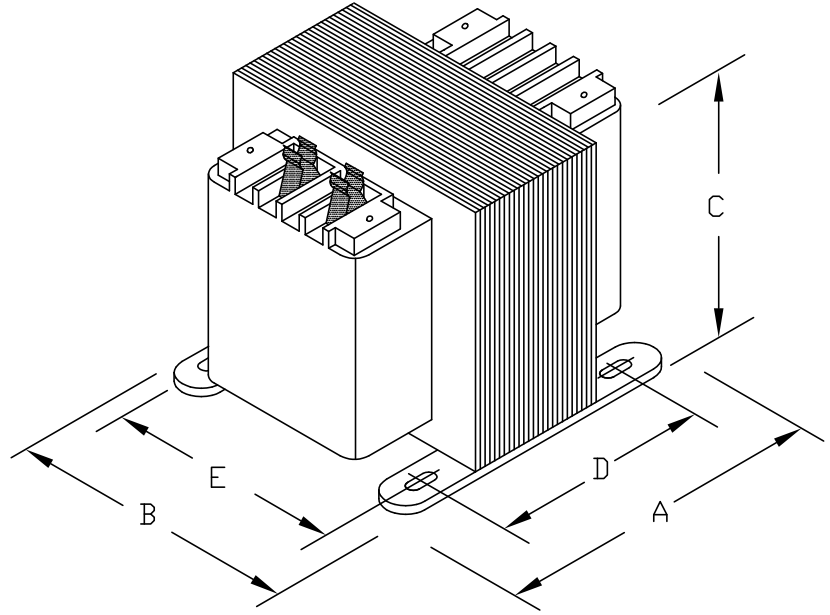
If you have any questions or we can be of any assistance in helping you determine your transformer requirements, please call our Technical Support Group at:

**1-800-664-4660**





CONNECTION DIAGRAM



PROVIDED WITH SECONDARY FUSE CLIPS FOR 13/32 X 1-1/2" FUSE.  
 PRIMARY JUMPERS NOT APPLICABLE.  
 SECONDARY FUSE CLIPS ADD MAXIMUM OF .5" TO THE "C" DIMENSION.

DIMENSIONS							APPROX.WT. LBS (KG)
	A	B	C	D	E	MTG. SLOTS	
INCHES (MM)	5.88 (149)	4.50 (114)	3.82 (97)	4.72 (120)	3.75 (95)	0.203X0.844 (5.1X21.4)	15.6 (7.1)



**MICRON INDUSTRIES CORPORATION**  
 777 CHURCH ROAD - ELMHURST, IL 60126  
 Tel. (800) 664-4660, (630) 516-1222 Fax (630) 516-1820  
 www.MicronTransformers.com

CAT.NO. <b>B350MBT13XK</b>			CONST. <b>ENCAPSULATED</b>			UL LISTED	
CATALOG GROUP <b>G</b>			MODEL <b>IMPERVITRAN</b>				
<b>RATING</b>							SFC CERTIFIED
OUTPUT AMPS	3.04	PRIMARY V	208/230/460		TEMP. CLASS	HZ 50/60	
VA	350	SECONDARY V	115		105°C	REVISION <b>G</b>	