

ImperviTRAN®



ImperviTRAN® is the ultra-reliable industrial control circuit transformer and the most accepted transformer in the industry. Behind its clean design is a toughness that makes it measure up to any requirement placed upon it. ImperviTRAN transformers carry Micron's 20-year warranty.

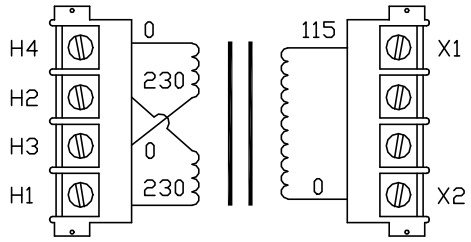
- Epoxy encapsulated coils
- 20-year warranty, double the industry standard
- Secondary fuse clips where applicable
- Optional primary fusing
- Molded terminal barriers
- 10-32 screw terminals
- Molded-in terminals
- Phil-slot screws



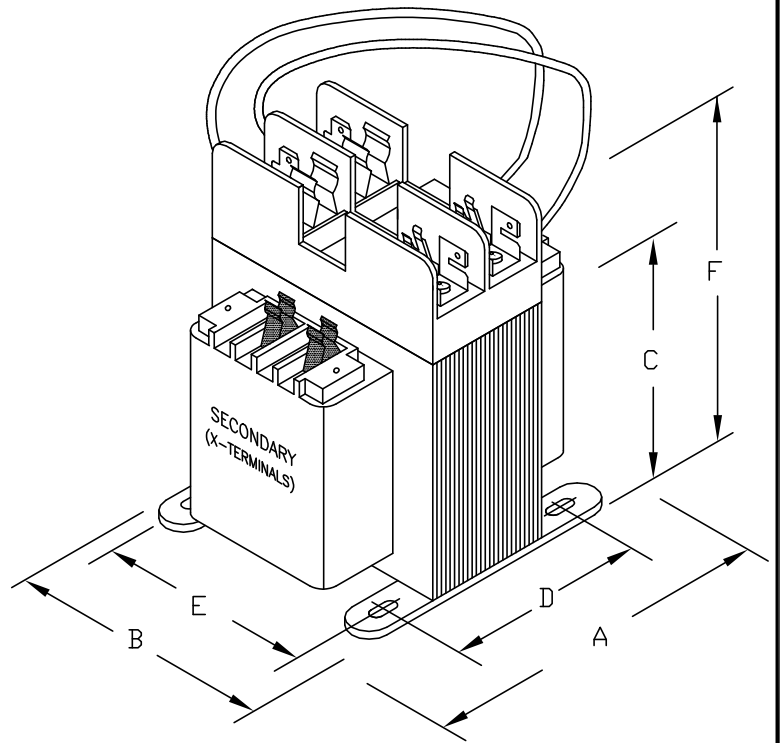
If you have any questions or we can be of any assistance in helping you determine your transformer requirements, please call our Technical Support Group at:

1-800-664-4660





CONNECTION DIAGRAM



PROVIDED WITH DUAL PRIMARY CLASS CC REJECTION FUSE BLOCK, PRIMARY J-2 JUMPERS AND SECONDARY FUSE CLIPS FOR 13/32 X 1-1/2" FUSE.

DIMENSIONS								APPROX.WT. LBS (KG)
DIMENSIONS	A	B	C	D	E	F	MTG. SLOTS	
INCHES (MM)	7.00 (178)	5.25 (133)	4.75 (121)	5.38 (137)	4.48 (114)	6.06 (154)	0.313X1.063 (8.0X27.0)	28.4 (12.9)



MICRON INDUSTRIES CORPORATION
 777 CHURCH ROAD - ELMHURST, IL 60126
 Tel. (800) 664-4660, (630) 516-1222 Fax (630) 516-1820
 www.MicronTransformers.com

CAT.NO. B750BTZ13RB				CONST. ENCAPSULATED				UL LISTED
CATALOG GROUP A				MODEL IMPERVITRAN				
RATING								SP CERTIFIED
OUTPUT AMPS	6.52	PRIMARY V	240X480, 230X460, 220X440			TEMP. CLASS	HZ 50/60	
VA	750	SECONDARY V	120, 115, 110			105°C	REVISION G	