

ImperviTRAN®



ImperviTRAN® is the ultra-reliable industrial control circuit transformer and the most accepted transformer in the industry. Behind its clean design is a toughness that makes it measure up to any requirement placed upon it. ImperviTRAN transformers carry Micron's 20-year warranty.

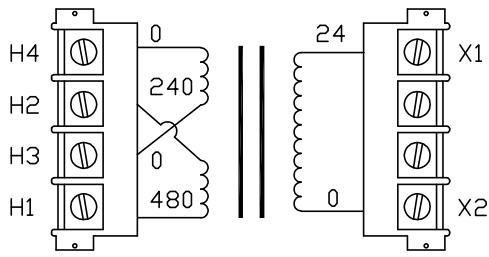
- Epoxy encapsulated coils
- 20-year warranty, double the industry standard
- Secondary fuse clips where applicable
- Optional primary fusing
- Molded terminal barriers
- 10-32 screw terminals
- Molded-in terminals
- Phil-slot screws



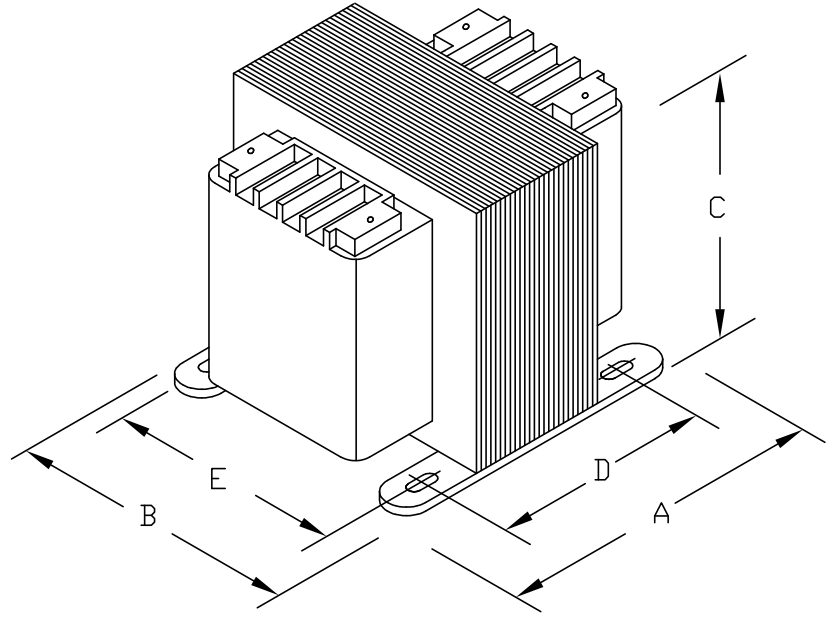
If you have any questions or we can be of any assistance in helping you determine your transformer requirements, please call our Technical Support Group at:

1-800-664-4660





CONNECTION DIAGRAM



PROVIDED WITH PRIMARY J-2 JUMPERS ONLY.

| DIMENSIONS | | | | | | | APPROX.WT. LBS (KG) |
|----------------|---------------|---------------|---------------|---------------|---------------|---------------------------|---------------------------|
| | A | B | C | D | E | MTG. SLOTS | |
| INCHES (MM) | 7.00 (178) | 5.25 (133) | 4.75 (121) | 5.75 (146) | 4.38 (111) | 0.312X0.688 (8.0X17.0) | 28.1 (12.8) |



MICRON INDUSTRIES CORPORATION
 777 CHURCH ROAD - ELMHURST, IL 60126
 Tel. (800) 664-4660, (630) 516-1222 Fax (630) 516-1820
 www.MicronTransformers.com

| | | | | | | | |
|--------------------------|-------|-------------|----------------------------|--|-------------|----------------------|--------------|
| CAT.NO. B750PU7JX | | | CONST. ENCAPSULATED | | | UL LISTED | |
| CATALOG GROUP B | | | MODEL IMPERVITRAN | | | | |
| RATING | | | | | | | SF CERTIFIED |
| OUTPUT AMPS | 31.25 | PRIMARY V | 240X480 | | TEMP. CLASS | HZ 50/60 | |
| VA | 750 | SECONDARY V | 24 | | 105°C | REVISION G | |