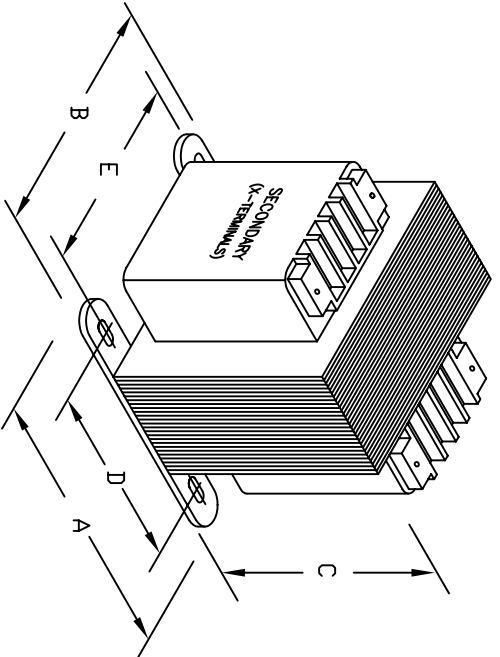


CONNECTION DIAGRAM



PROVIDED WITH PRIMARY J-2 JUMPERS ONLY.
SECONDARY FUSE CLIPS ARE NOT APPLICABLE.

DIMENSIONS						APPROX. WT. LBS (KG)	
A	B	C	D	E	MTG. SLOTS		
INCHES (MM)	7.00 (178)	5.25 (133)	4.75 (121)	5.38 (137)	4.38 (111)	0.313X1.063 (8.0X27.0)	28.1 (12.8)

MICRON
CONTROL
TRANSFORMER

MICRON INDUSTRIES CORPORATION
777 CHURCH ROAD - ELMHURST, IL 60126
Tel. (800) 664-4660, (630) 516-1222, Fax (630) 516-1820
WWW.MICRONTRANSFORMERS.COM

CAT. NO. **B750PU7JX**

CONST. **ENCAPSULATED**

LISTED

CATALOG GROUP **B**

MODEL **IMPERVITRAN**

RATING

CERTIFIED

OUTPUT AMPS

31.25

PRIMARY V

240X480

TEMP. CLASS

50/60

VA

750

SECONDARY V

24

105°C

REVISION **G**