

# DINergy™ MDP30-1C SERIES



AC - DC DIN RAIL MOUNTABLE POWER SUPPLY  
INDUSTRIAL CONTROL EQUIPMENT

## FEATURES

- UL / cUL / CE
- UNIVERSAL INPUT 85~264VAC
- SHORT CIRCUIT PROTECTION
- INTERNAL INPUT FILTER
- 3 YEARS WARRANTY



MODEL NO.	INPUT VOLTAGE	OUTPUT WATTAGE	OUTPUT VOLTAGE	OUTPUT CURRENT	EFF. (typ.)	EFF. (min.)
MDP30-5A-1C	85~264 VAC	30 WATTS	+ 5 VDC	6000 mA	77%	79%
MDP30-12A-1C	85~264 VAC	30 WATTS	+ 12 VDC	2500 mA	82%	84%
MDP30-24A-1C	85~264 VAC	30 WATTS	+ 24 VDC	1250 mA	83%	86%
MDP30-48A-1C	85~264 VAC	30 WATTS	+ 48 VDC	625 mA	83%	86%

## SPECIFICATION

All Specifications Typical At Nominal Line, Full Load, 25°C Unless Otherwise Noticed

GENERAL						
Characteristics	Conditions		min.	typ.	max.	unit
Switching frequency	Vi nom, Io nom		80		135	KHz
Isolation voltage	Input-Output		3000 / 4242			VAC / VDC
	Input-FG		1500 / 2121			VAC / VDC
	Output-FG		500 / 710			VAC / VDC
Isolation resistance	Input-Output, @ 500VDC		100			MΩ
Ambient temperature	Operating at Vi nom		-40		+ 71	°C
Derating (see derating curve)	Vi nom, from +61°C to +71°C				2.5	% / °C
Storage temperature	Non operational		-40		+ 85	°C
Relative humidity	Vi nom, Io nom		20		95	% RH
Temperature coefficient	Vi nom, Io min				± 0.03	% / °C
MTBF	Bellcore Issue 6 @40°C, GB	5V model		551000		Hours
		12V model		582000		Hours
		24V model		588000		Hours
		48V model		609000		Hours
Altitude during operation	IEC 60068-2-13				4850	m
Dimension	Screw terminal type		L90 x W40.5 x D114			mm
Cooling	Free air convection					
Installation position	Vertical ( other direction may derating using )					
Pollution degree			2			

## DINergy™ MDP30-1C SERIES

INPUT SPECIFICATIONS						
Characteristics	Conditions		min.	typ.	max.	unit
Rated input voltage	Io nom		100		240	VAC
Absolute input max. range	Ta min ... Ta max, Io nom	AC in	85		264	VAC
		DC in	90		375	VDC
Input current	Vi : 115 / 230 VAC, Io nom			560 / 330		mA
Rated input current	Vi : 85 VAC, Io nom				800	mA
Line frequency	Vi nom, Io nom		47		63	Hz
Inrush current	Vi : 115 / 230 VAC , Io nom				20 / 40	A
Power dissipation	Vi : 230 VAC, Io nom	5V model		8.5		W
		12V model		5.6		W
		24V model		5.5		W
		48V model		4.9		W
Leakage current	Input-Output				0.25	mA
	Input-FG				3.5	mA

OUTPUT SPECIFICATIONS						
Characteristics	Conditions		min.	typ.	max.	unit
Output voltage accuracy (Adjusted before shipment)	Vi nom, Io max		0		+ 1	%
Minimum load	Vi nom		0			%
Line regulation	Io nom, Vi min ...Vi max				± 0.5	%
Load regulation	Vi nom, Io min ...Io nom				± 0.5	%
Voltage trim range	Vi nom, 0.8 Io nom	5V model	5		5.5	VDC
		12V model	12		14	VDC
		24V model	24		28	VDC
		48V model	48		55	VDC
Rated continuous loading	Vi nom	5V model	6 A @ 5Vdc / 5.4 A @ 5.5 Vdc			
		12V model	2.5 A @ 12Vdc / 2.1 A @ 14 Vdc			
		24V model	1.25 A @ 24Vdc / 1.05 A @ 28 Vdc			
		48V model	0.625 A @ 48Vdc / 0.54 A @ 55 Vdc			
Hold up time	Vi : 115 / 230 VAC , Io nom		20 / 30			ms
Turn on time	Vi nom, Io nom				1000	ms
	Vi nom, Io nom → with 3500 μF CAP				2000	ms
Rise time	Vi nom, Io nom				150	ms
	Vi nom, Io nom → with 3500 μF CAP				500	ms
Fall time	Vi nom, Io nom				150	ms
Transient recovery time	Vi nom, I ~0.5 Io nom				2	ms
Ripple & noise	Vi nom, Io nom, BW = 20MHz				50	mV
Power back immunity	Vi nom, Io nom 1 second	5V model	7.5			VDC
		12V model	18			VDC
		24V model	35			VDC
		48V model	63			VDC
Capacitor load	Vi nom, Io nom				3500	μF
DC ON indicator threshold at start up (Green LED)	Vi nom, Io nom	5V model	3.5		4.5	VDC
		12V model	9.0		10.8	VDC
		24V model	18		21.6	VDC
		48V model	37		43	VDC
Efficiency	Vi nom, Io nom, Po / Pi		Up to 86%, See model list and typ efficiency curve			

CONTROL AND PROTECTION						
Characteristics	Conditions		min.	typ.	max.	unit
Input fuse			T2A / 250VAC internal			
Internal surge voltage protection	IEC 61000-4-5		Varistor			
Rated over load protection	Vi nom (see typ current limited curve)		110		140	%

# DINergy™ MDP30-1C SERIES

Characteristics	Conditions	min.	typ.	max.	unit
Power Rdy (for 24V model only)	Threshold voltage of contact closed (at start up)	18.8		19.6	VDC
Over voltage protection	Vi nom, Io nom (Auto Recovery)	5V model	6.0	6.8	VDC
		12V model	15	16.5	VDC
		24V model	30	33	VDC
		48V model	60	66	VDC
Output short circuit		Fold forward			
Degree of protection		IP20			

## APPROVALS AND STANDARDS

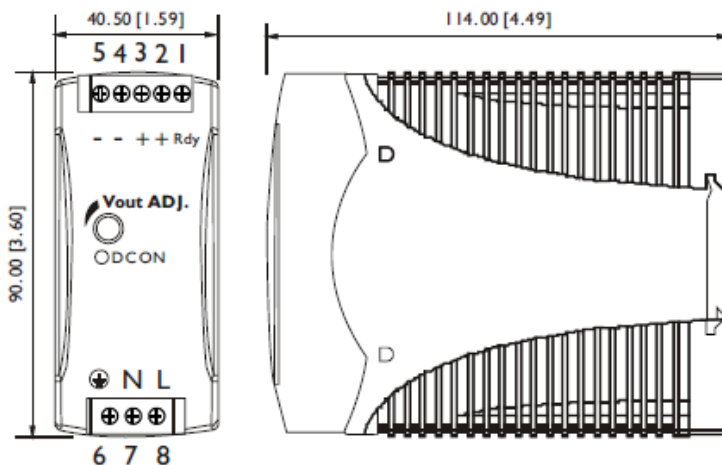
UL / cUL	UL 508 Listed UL 60950-1, UL 1310 Class 2 Power (only 5V w/o Class 2) Recognized ISA 12.12.01(Class I, Division 2, Groups A, B, C and D)
CE	EN 61000-6-3, EN 55022 Class B, EN 61000-3-2, EN 61000-3-3 EN 61000-6-2, EN 55024, EN 61000-4-2 Level 4, EN 61000-4-3 Level 3 EN 61000-4-4 Level 4, EN 61000-4-5 L-N Level 3, L / N-FG Level 4 EN 61000-4-6 Level 3, EN 61000-4-8 Level 4, EN 61000-4-11 ENV 50204 Level 2, EN 61204-3
Vibration resistance	meet IEC 60068-2-6 (Mounting by rail : 10-500 Hz, 2G, along X, Y, Z each Axis, 60 min for each Axis)
Shock resistance	meet IEC 60068-2-27 (15G, 11ms, 3 Axis, 6 Faces, 3 times for each Face)

## PHYSICAL CHARACTERISTICS

Case size	90 x 40.5 x 114 mm (3.6 x 1.59 x 4.49 inches)
Case material	Plastic
Weight	270 g
Packing	0.35 kg ; 40 pcs / 15 kg / 2.16 CUFT

## MECHANISM & PIN CONFIGURATION

mm [inch]



### CONSTRUCTION

Easy snap-on mounting onto the DIN-Rail (TS35/7.5 or TS35/15), unit sits safely and firmly on the rail.

### INSTALLATION

Ventilation / Cooling  
Normal convection  
All sides 25mm free space  
For cooling recommended  
Connector size range  
Screw terminal:  
AWG26-12 (0.2~2.5mm<sup>2</sup>) flexible / solid cable, connector can withstand torque at maximum 5 pound-inches.  
4~5 m/m stripping at cable end recommends  
Use copper conductors only, 60 / 75°C

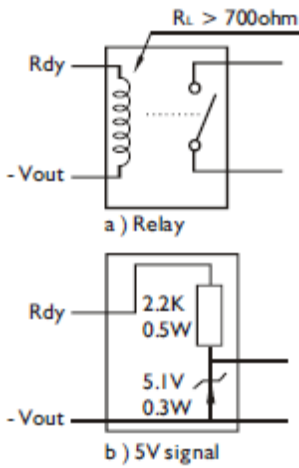
GENERAL TOLERANCE	
0.00[0.00] - 30.00[1.18]	±0.30[0.01]
30.00[1.18] - 120.00[4.72]	±0.50[0.02]

# DINergy™ MDP30-1C SERIES

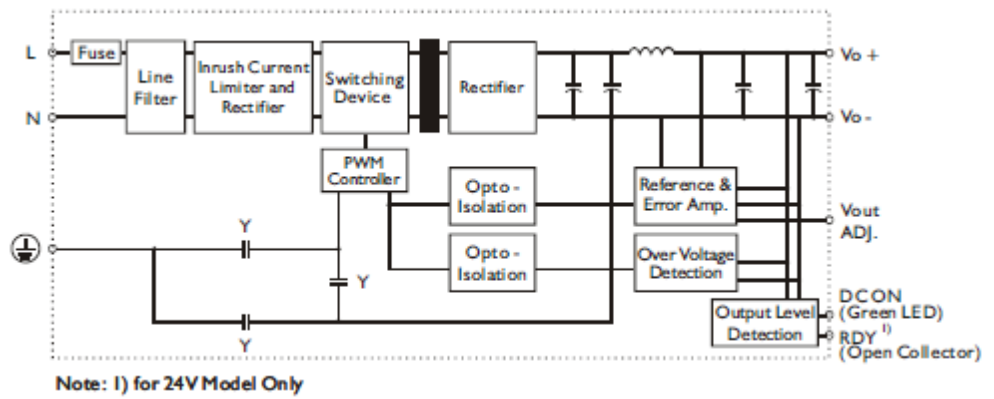
## PIN ASSIGNMENT

PIN NO.	Designation	Description
1	RDY	DC OK output for relay (not connect except 24V model)
2	+	Positive output terminal
3	+	Positive output terminal
4	-	Negative output terminal
5	-	Negative output terminal
6	⊥	Ground this terminal to minimize high-frequency emissions
7	N	Input terminals (neutral conductor, no polarity at DC input)
8	L	Input terminals (phase conductor, no polarity at DC input)
	Vout ADJ.	Trimmer-potentiometer for Vout adjustment
	DC ON	Operation indicator LED

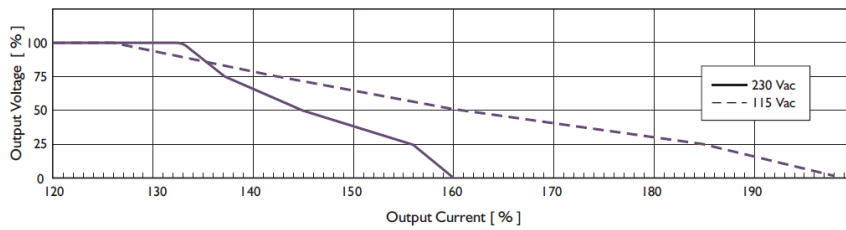
Fig. 1 Rdy connection



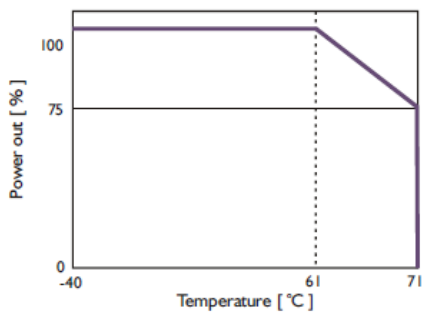
## CIRCUIT SCHEMATIC



## TYP. CURRENT LIMITED CURVE



## DERATING CURVE



## TYP. EFFICIENCY CURVE

