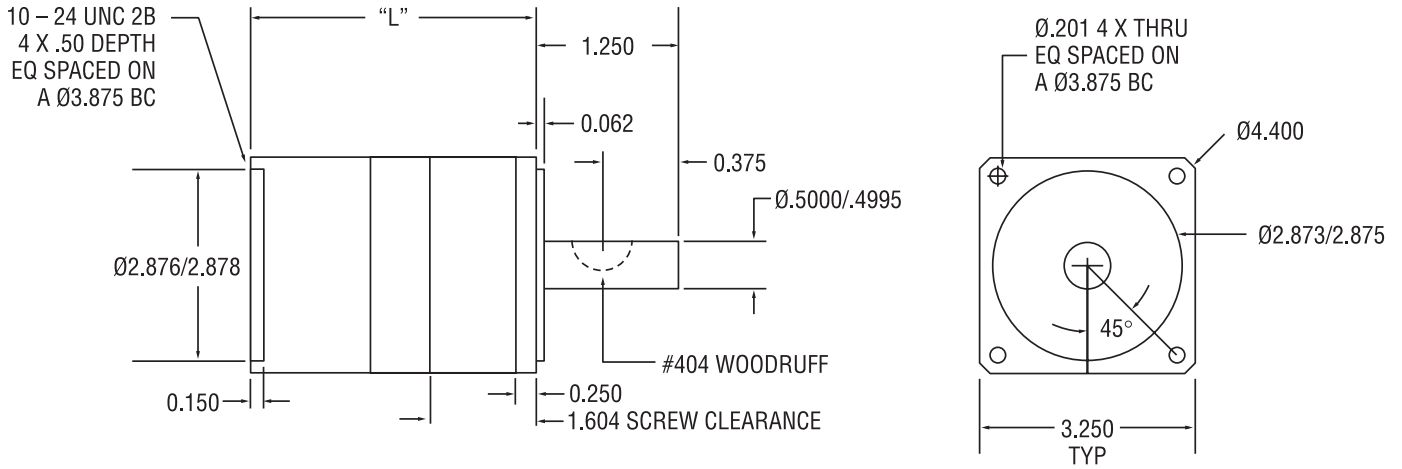


### DIMENSION "L"

Single Stage (4:1 to 10:1) = 3.229 ± .015  
 Double Stage (16:1 to 100:1) = 4.087 ± .015



NOTE: Dimensions in inches

Part #	Ratio	Continuous output torque at 1500 rpm input (in-lbs)	Continuous output torque at 3500 rpm input (in-lbs)	Continuous output torque at 5000 rpm input (in-lbs)	Gearhead inertia at input (lb-in-sec <sup>2</sup> )
<b>Single Stage</b>					
GH34SP004	4:1	529	350	279	1.28 x 10 <sup>-4</sup>
GH34SP007	7:1	467	355	301	7.65 x 10 <sup>-5</sup>
GH34SP010	10:1	384	313	275	6.69 x 10 <sup>-5</sup>
<b>Double Stage</b>					
GH34SP016	16:1	667	566	508	1.27 x 10 <sup>-4</sup>
GH34SP028	28:1	670	639	595	7.63 x 10 <sup>-5</sup>
GH34SP049	49:1	528	499	480	7.55 x 10 <sup>-5</sup>
GH34SP070	70:1	534	514	499	6.64 x 10 <sup>-5</sup>
GH34SP100	100:1	409	398	391	6.63 x 10 <sup>-5</sup>

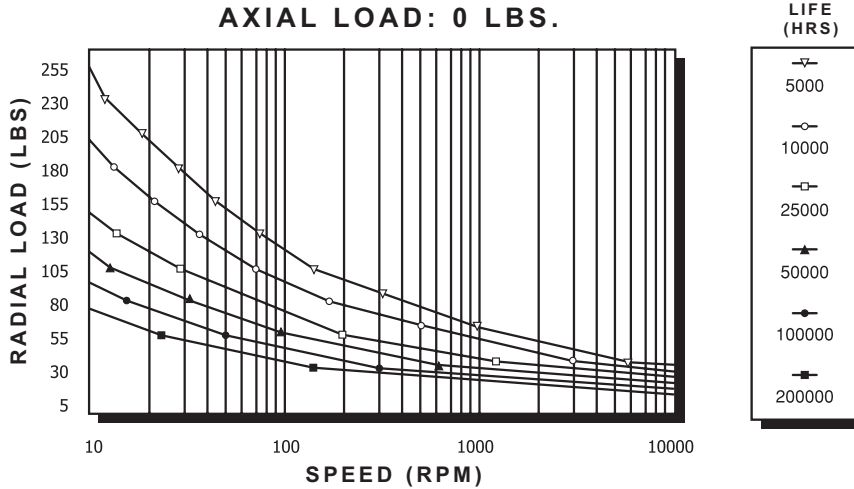
**⚠ WARNING - Please read when using with SM34165DT and SM34165MT Series Motor:**  
 All gearheads above come standard with 3/8 inch diameter input shaft. For gearheads which require 0.5 inch shaft input, please add "-0.5" to part number. Example: GH34SP004-0.5 will give you a half inch input shaft diameter.

### General Specifications

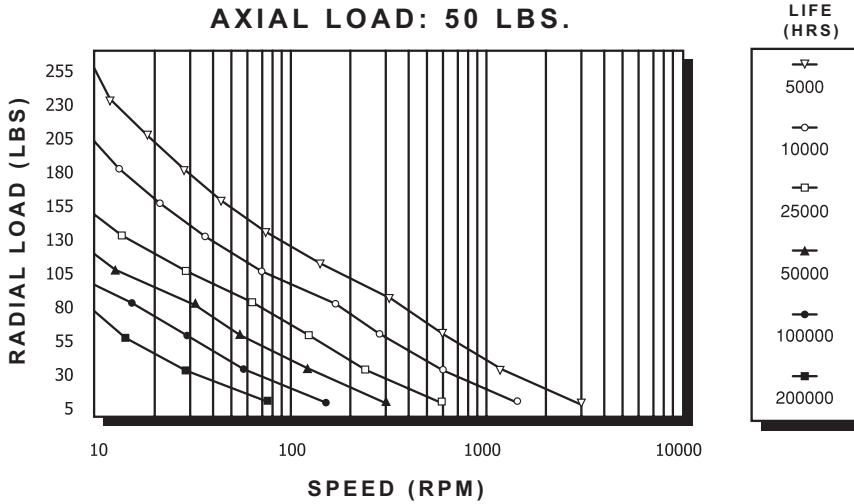
Construction Type	Ratio	Standard Backlash (arc-minutes)	Low Backlash (arc-minutes)	Efficiency	Weight (lbs)	Maximum Tested Input rpm
Single Stage	4:1 to 10:1	12	6	95%	3.67	5000
Double Stage	16:1 to 100:1	16	10	90%	5.10	5000

**PEAK TORQUE:** 15% above continuous rating. **NOTE:** Repeated peak torque loading may cause failure.

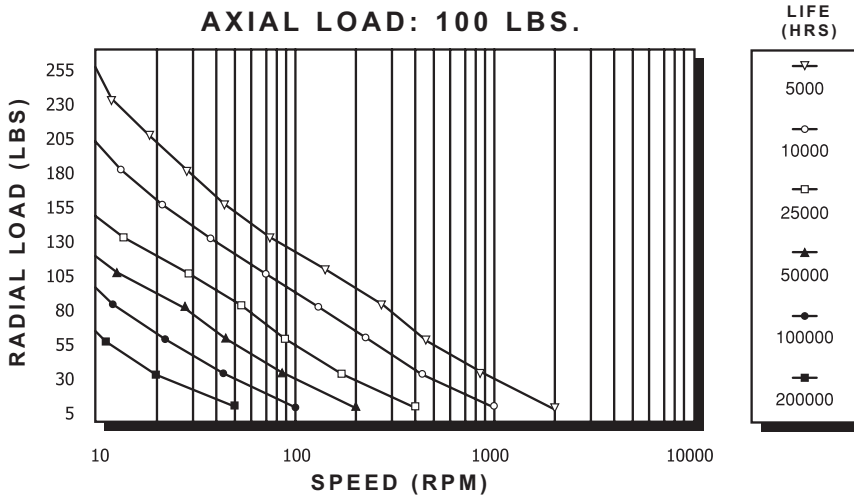
**AXIAL LOAD: 0 LBS.**



**AXIAL LOAD: 50 LBS.**



**AXIAL LOAD: 100 LBS.**



**SPEED (RPM)** refers to the gearheads output shaft speed.

**LIFE (HRS)** = (# of lifetime revolutions) ÷ (60 x rpm)

**F<sub>RADIAL</sub>** is calculated at 1/2 the shaft length.

