

OVERVIEW

MOTOR SPECIFICATIONS

LINEAR SYSTEMS

CONNECTIVITY

PERIPHERALS

IP 65 MODELS & CONNECTIVITY

POWER SUPPLIES & SHUNTS

GEAR HEADS

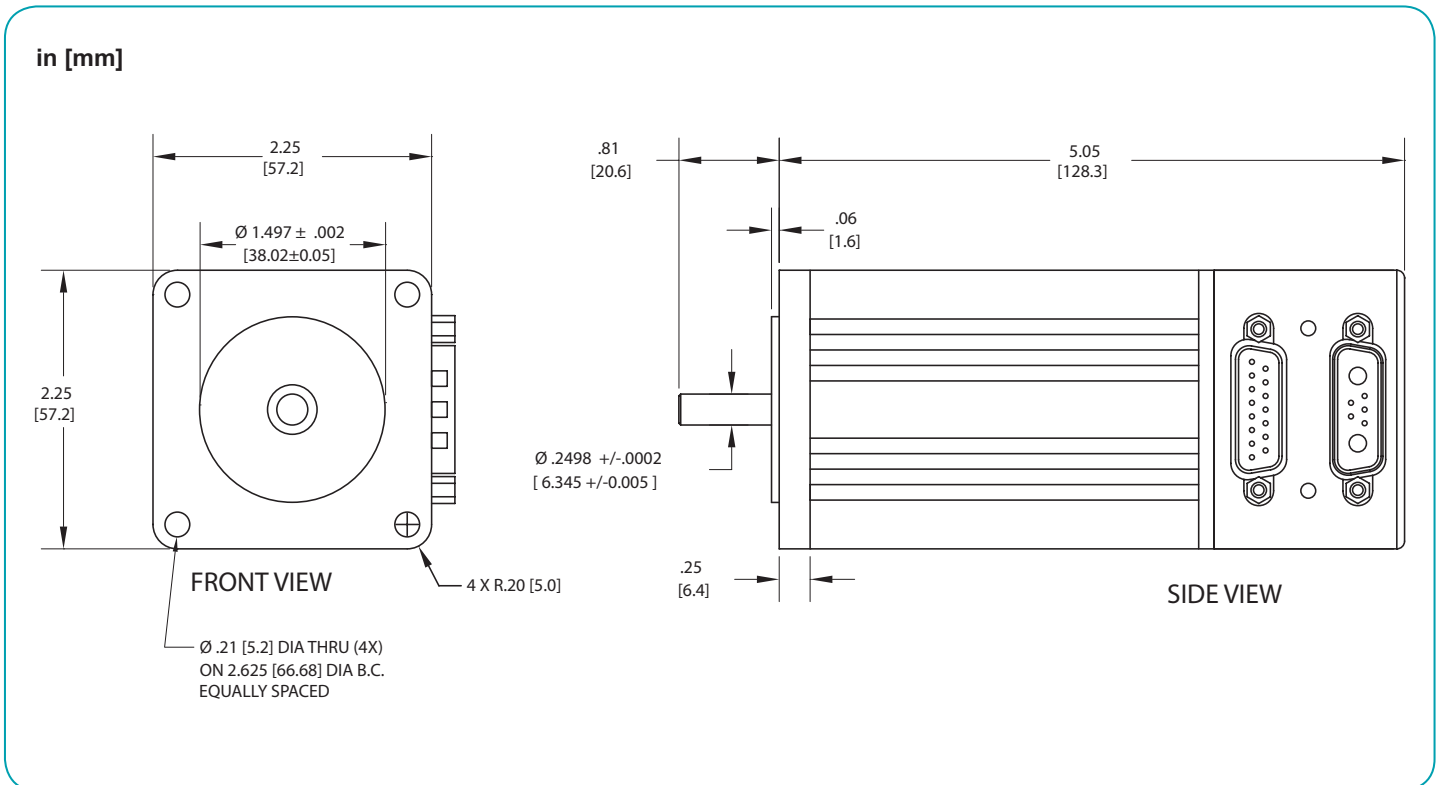
SOFTWARE

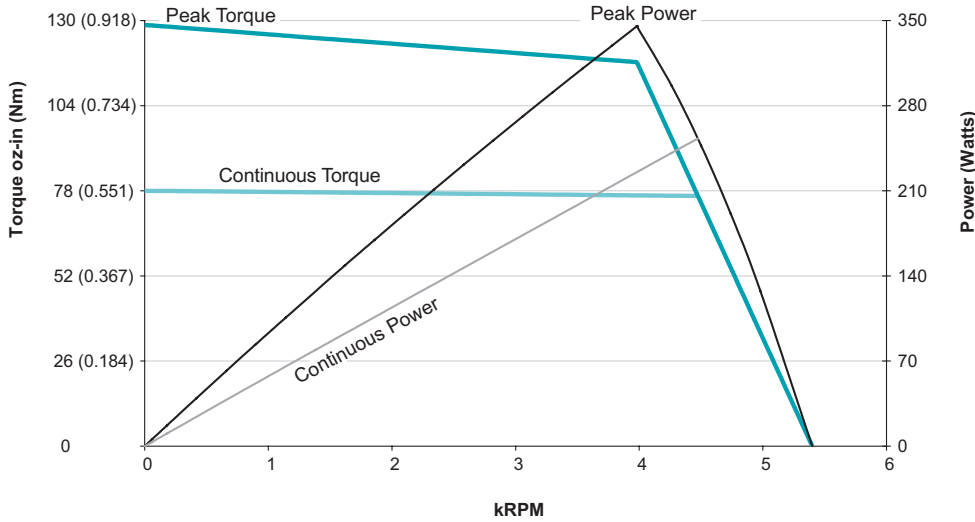
APPENDIX

| SM23405D | | |
|------------------------------------|---------------------|------------------------------------|
| Continuous Torque | 4.88 | in-lb |
| | 78 | oz-in |
| | 0.55 | N-m |
| Peak Torque | 8.04 | in-lb |
| | 129 | oz-in |
| | 0.91 | N-m |
| Nominal Continuous Power | 253 | Watt |
| No Load Speed | 5,300 | RPM |
| Continuous Current @ Nominal Power | 7.5 | Amps |
| Voltage Constant | 10.26 | V/kRPM |
| Winding Resistance | 1.0 | ohms |
| Encoder Resolution | 4,000 | Counts/Rev |
| | 0.00362 | oz-in-sec ² |
| Rotor Inertia | 2.557 | 10 ⁻⁵ Kg-m ² |
| | 2.8 | lb |
| Weight | 1.27 | kg |
| | 0.250 | in |
| Shaft Diameter | 6.35 | mm |
| | 7 | lb |
| Shaft, Radial Load | 3.18 | kg |
| | 3 | lb |
| Shaft, Axial Thrust Load | 1.36 | kg |
| | DeviceNet Available | |
| Profibus Available | | |
| CANopen Available | | Yes |

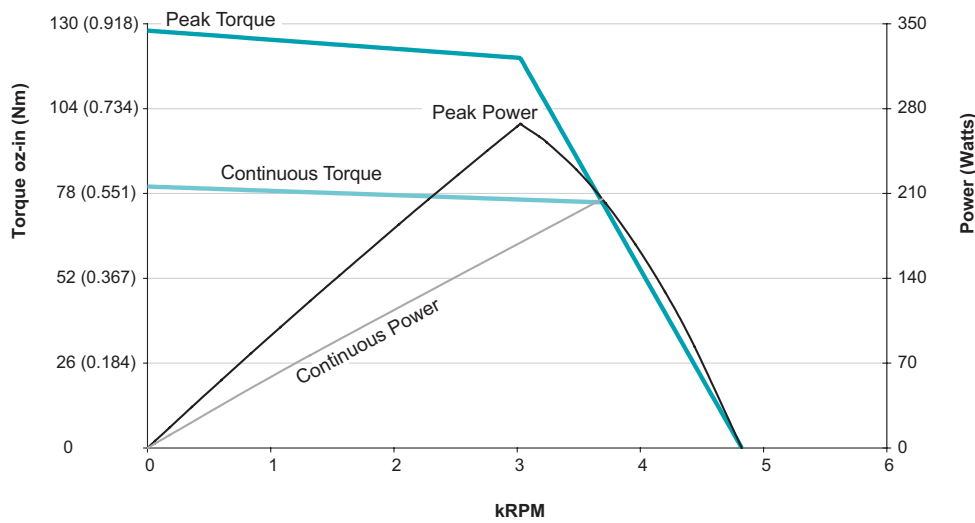


Animatics SmartMotor SM23405D (No Options) CAD Drawing

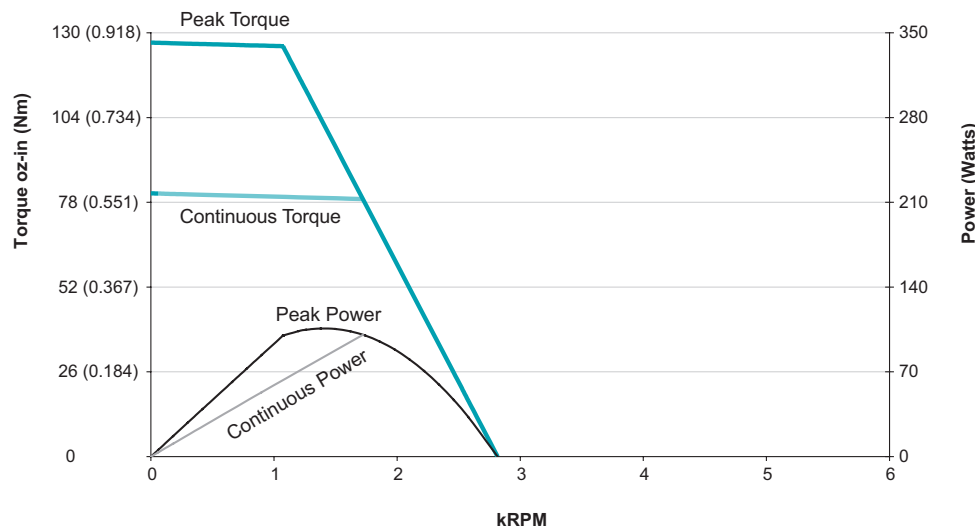




SM23405D
at 48 VDC
at rise to 85°C



SM23405D
at 42 VDC
at rise to 85°C



SM23405D
at 24 VDC
at rise to 85°C