

OVERVIEW

MOTOR SPECIFICATIONS

LINEAR SYSTEMS

CONNECTIVITY

PERIPHERALS

IP 65 MODELS & CONNECTIVITY

POWER SUPPLIES & SHUNTS

GEAR HEADS

SOFTWARE

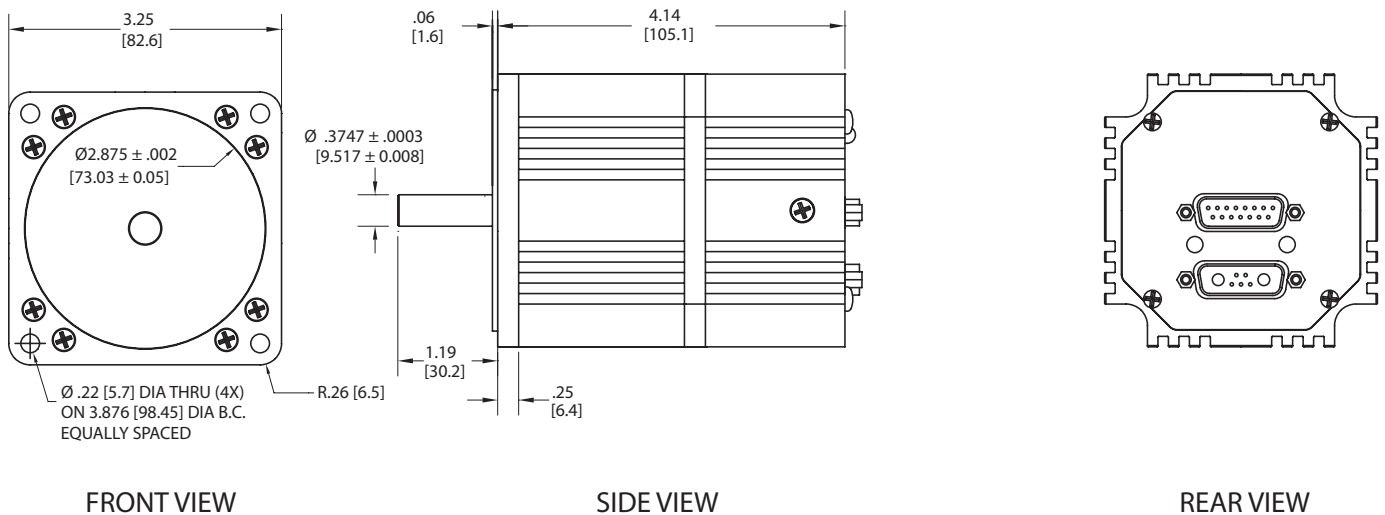
APPENDIX

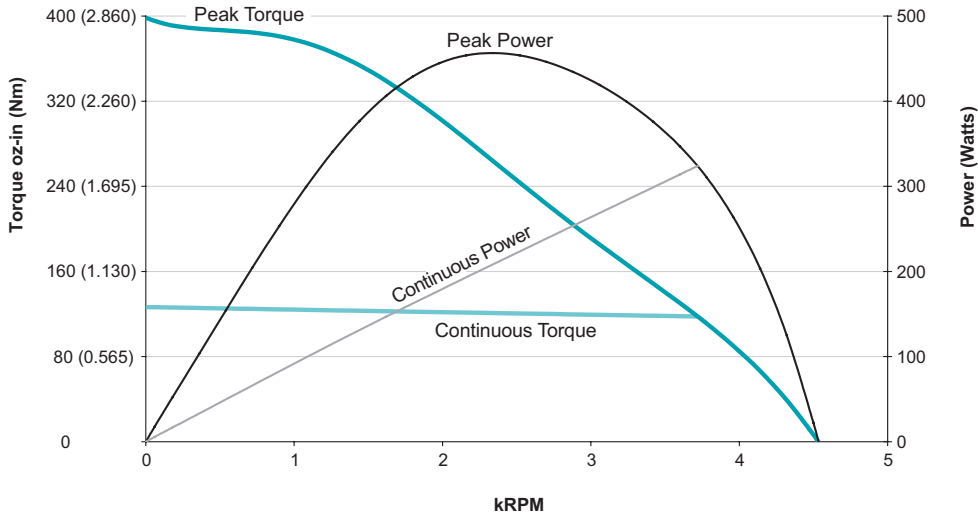
SM34205D		
Continuous Torque	7.91	in-lb
	126	oz-in
	0.89	N-m
Peak Torque	24.91	in-lb
	399	oz-in
	2.81	N-m
Nominal Continuous Power	324	Watt
No Load Speed	4,500	RPM
Continuous Current @ Nominal Power	9.4	Amps
Voltage Constant	10.8	V/kRPM
Winding Resistance	1.2	ohms
Encoder Resolution	8,000	Counts/Rev
Rotor Inertia	0.013	oz-in-sec <sup>2</sup>
	9.183	10 <sup>-5</sup> Kg-m <sup>2</sup>
Weight	3.5	lb
	1.59	kg
Shaft Diameter	0.375	in
	9.53	mm
Shaft, Radial Load	15	lb
	6.80	kg
Shaft, Axial Thrust Load	3	lb
	1.36	kg
DeviceNet Available	Yes	
ProfiBus Available		
CANopen Available	Yes	



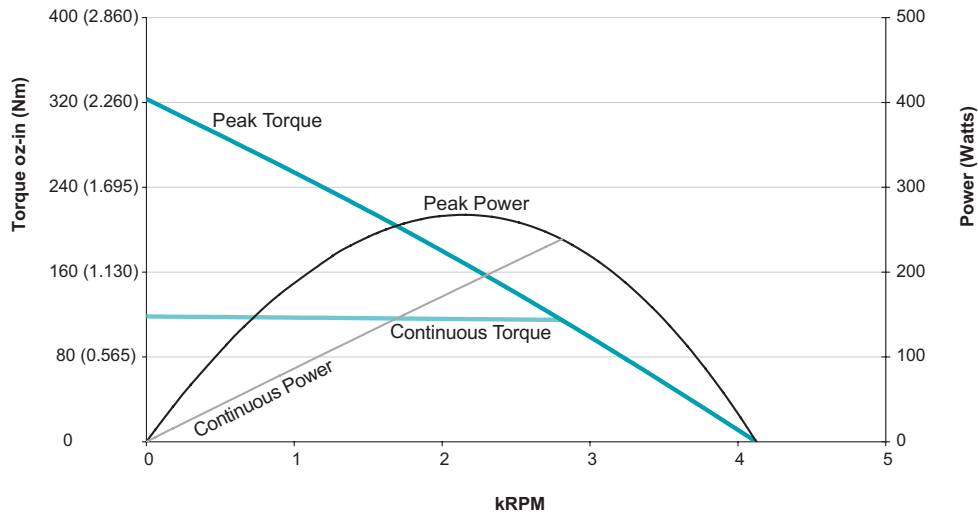
## Animatics SmartMotor SM34205D (No Options) CAD Drawing

in [mm]

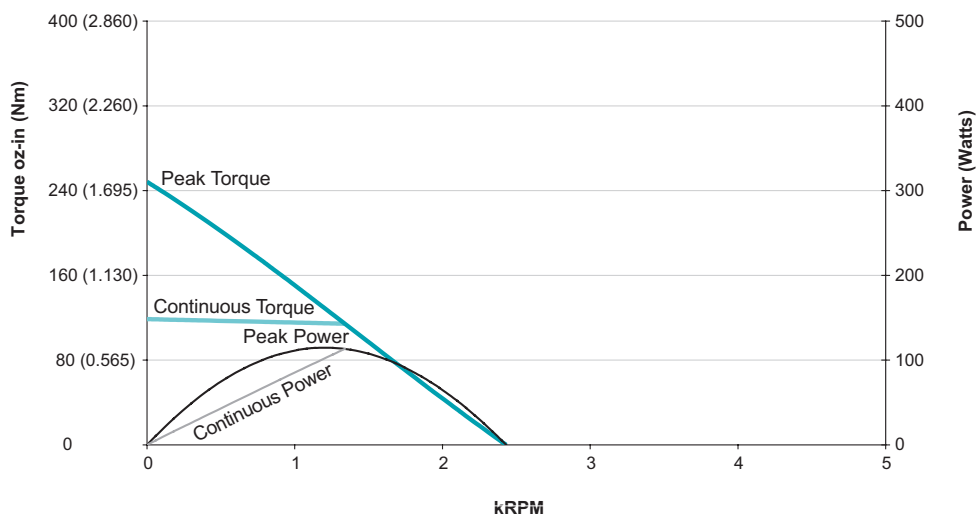




**SM34205D**  
**at 48 VDC**  
**at rise to 85°C**



**SM34205D**  
**at 42 VDC**  
**at rise to 85°C**



**SM34205D**  
**at 24 VDC**  
**at rise to 85°C**