

Table Top Robot (TTR)

TTR1 - 200 - 150 - 050B - C - 10

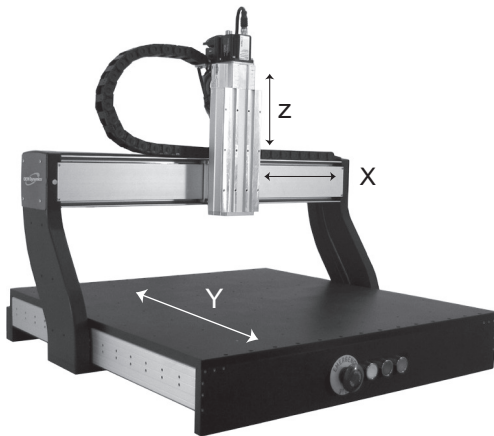
① ② ③ ④ ⑤ ⑥

① Series	② X stroke (mm)	③ Y stroke (mm)	④ Z stroke (mm)	⑤ Fieldbus	⑥ 24V I/O
TTR	N 200 400 600	150 350 550	N - None 50 150 250 B - Brake (Optional)	C (CANopen) D (DeviceNet)	10 - 10 Points 20 - 20 Points 30 - 30 Points

Table Top Robot (TTR)

Animatics Table Top Robots consist of an X Y (optional Z) ball screw driven Cartesian system.

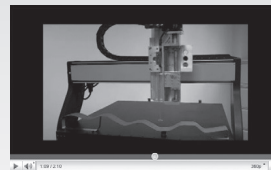
Each System has 2 (or 3) SmartMotors pre-wired through a RS-232 serial daisy chain (with Combitronic™ optional). Designed as a pre-configured system of components, the TTR is ready to be controlled either via Host PC, PLC, HMI, or all stand alone with user defined downloaded programs.



Features:

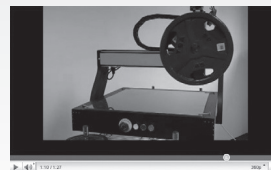
- Work area up to 600mmx550mmx250mm
- 120-240VAC 50./60hz Input
- E-Stop Drive Power
- Maintained control power
- 2.5mm/rev X and Y axis, 1600 counts/mm resolution
- 5mm/rev Z axis, 800 counts/mm resolution
- 275mm/sec X or Y, 550mm/sec Z
- Up to 45Kg load on Z Axis
- Optional up to 40 channels of Universal 24V I/O
- Optional Combitronic with CANopen or DeviceNet protocol

Application Videos



TTR Laser Distance Scanning

http://bit.ly/ttr_c



Linear Interpolation TTR & COMBITRONIC™

http://bit.ly/ttr_b



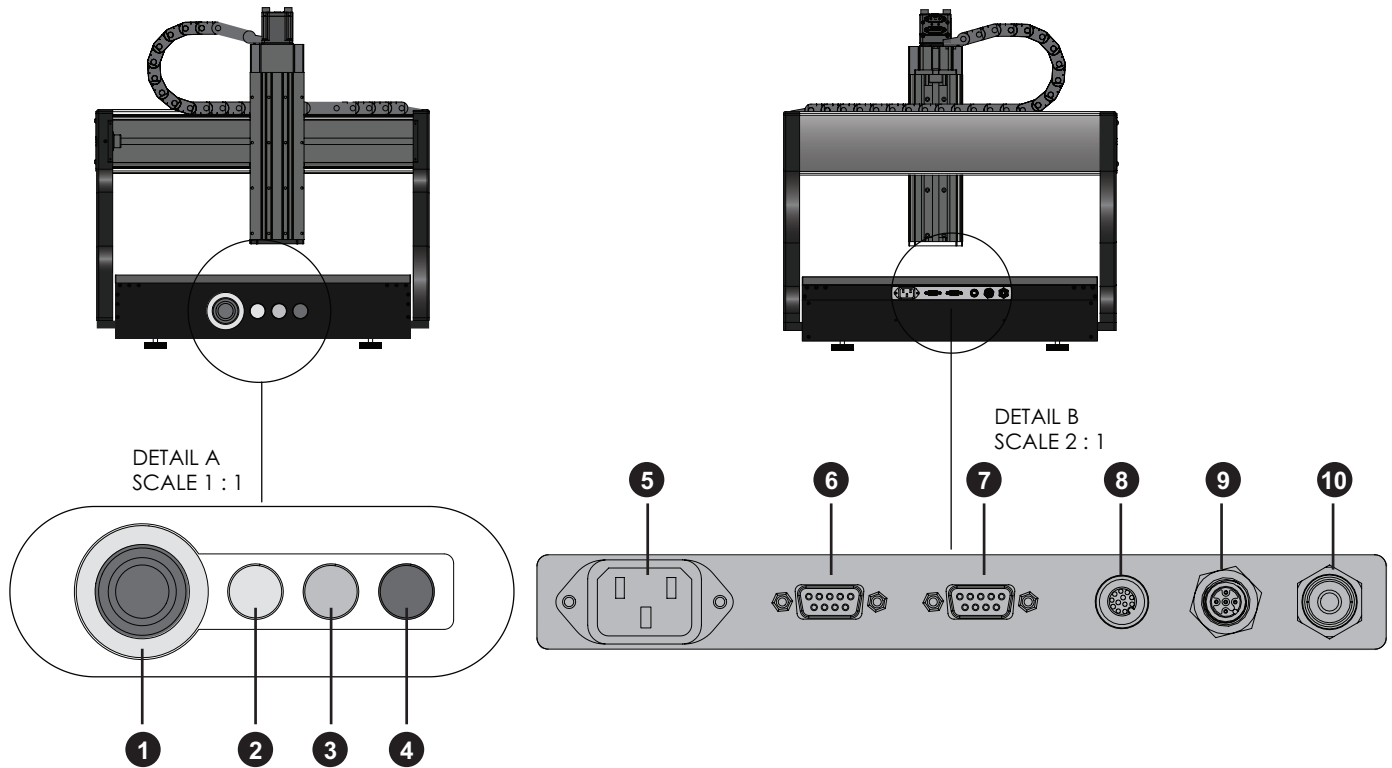
ANIMATICS®

on

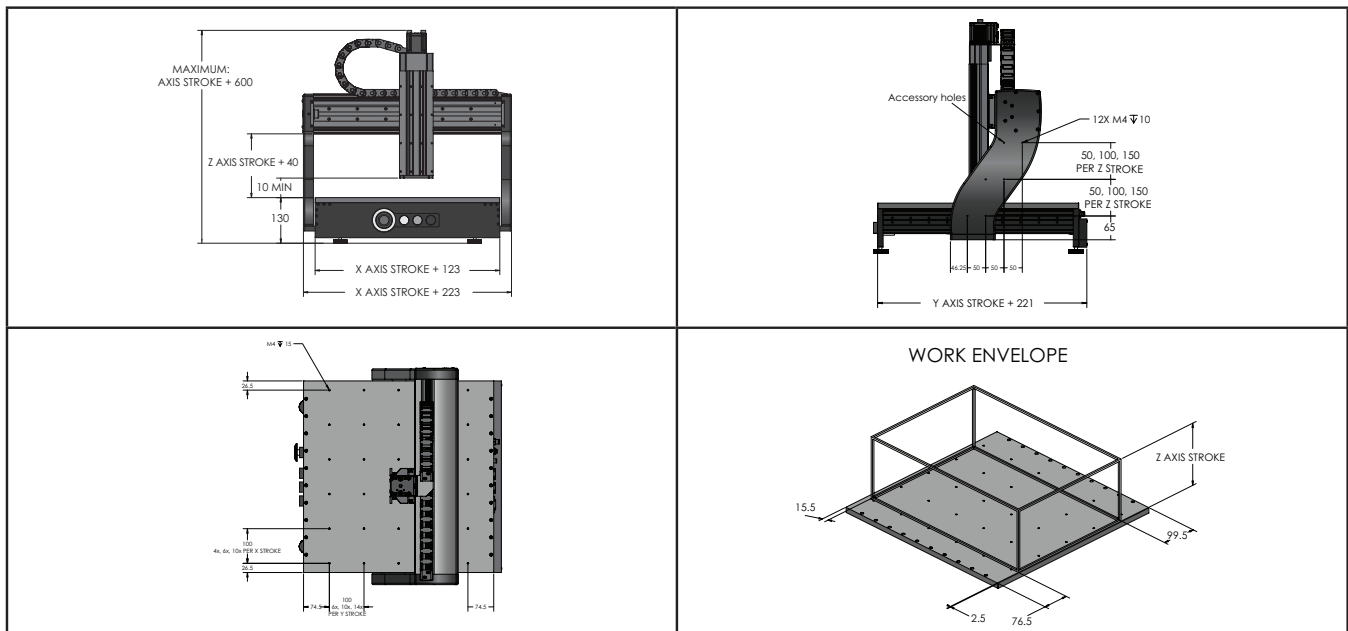
YouTube

*Built with all  construction

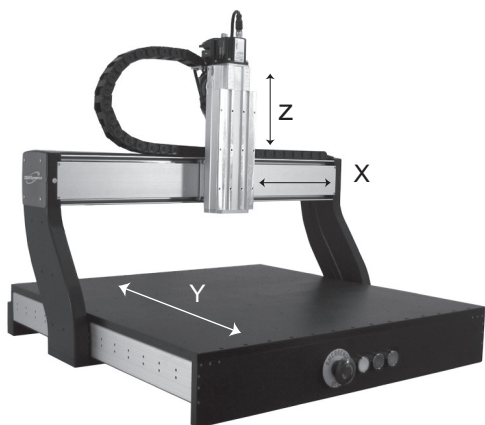
User Interface



- 1** Emergency Stop (Red button) **2** Configurable (Yellow button) **3** Configurable (Green button)
- 4** Configurable (Blue button) **5** AC Power Input (88~264 VAC, 47~63 HZ) **6** RS232 Connector
- 7** D-sub 9pin Connector for end effector **8** 24 V I/O -10 total **9** CANopen / DeviceNet Connector
- 10** Air Supply Connector



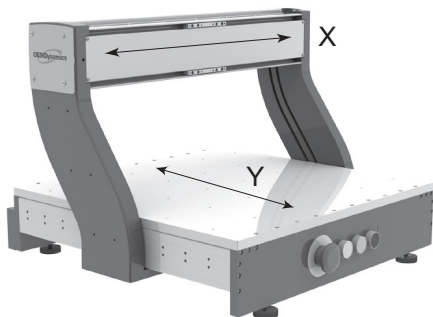
Specifications for 3-axis Systems



Axis Stroke Length (mm)			Max Speed (mm/s)*	Load Capability (kg)	Repeatability (mm)	Model Number
X	Y	Z				
200	150	50	400	45	0.016	TTR1-200-150-050-x-xx
200	350	50	400	45	0.016	TTR1-200-350-050-x-xx
200	550	50	400	45	0.016	TTR1-200-550-050-x-xx
200	150	150	400	45	0.016	TTR1-200-150-150-x-xx
200	350	150	400	45	0.016	TTR1-200-350-150-x-xx
200	550	150	400	45	0.016	TTR1-200-550-150-x-xx
200	150	250	400	45	0.016	TTR1-200-150-250-x-xx
200	350	250	400	45	0.016	TTR1-200-350-250-x-xx
200	550	250	400	45	0.016	TTR1-200-550-250-x-xx
400	150	50	400	45	0.016	TTR1-400-150-050-x-xx
400	350	50	400	45	0.016	TTR1-400-350-050-x-xx
400	550	50	400	45	0.016	TTR1-400-550-050-x-xx
400	150	150	400	45	0.016	TTR1-400-150-150-x-xx
400	350	150	400	45	0.016	TTR1-400-350-150-x-xx
400	550	150	400	45	0.016	TTR1-400-550-150-x-xx
400	150	250	400	45	0.016	TTR1-400-150-250-x-xx
400	350	250	400	45	0.016	TTR1-400-350-250-x-xx
400	550	250	400	45	0.016	TTR1-400-550-250-x-xx
600	150	50	400	45	0.016	TTR1-600-150-050-x-xx
600	350	50	400	45	0.016	TTR1-600-350-050-x-xx
600	550	50	400	45	0.016	TTR1-600-550-050-x-xx
600	150	150	400	45	0.016	TTR1-600-150-150-x-xx
600	350	150	400	45	0.016	TTR1-600-350-150-x-xx
600	550	150	400	45	0.016	TTR1-600-550-150-x-xx
600	150	250	400	45	0.016	TTR1-600-150-250-x-xx
600	350	250	400	45	0.016	TTR1-600-350-250-x-xx
600	550	250	400	45	0.016	TTR1-600-550-250-x-xx

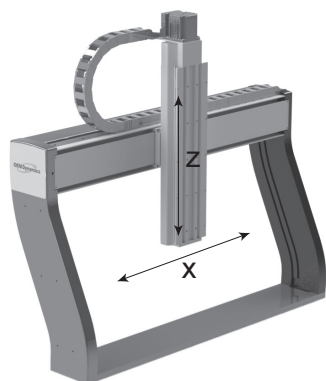
* Maximum speed measured at no load

Specifications for 2-axis Systems



X-Y

Axis Stroke Length (mm)			Max Speed (mm/s)	Load Capability (kg)	Repeatability (mm)	Model Number
X	Y	Z				
200	150	-	400	45	0.016	TTR1-200-150-N-x-xx
200	350	-	400	45	0.016	TTR1-200-350-N-x-xx
200	550	-	400	45	0.016	TTR1-200-550-N-x-xx
400	150	-	400	45	0.016	TTR1-400-150-N-x-xx
400	350	-	400	45	0.016	TTR1-400-350-N-x-xx
400	550	-	400	45	0.016	TTR1-400-550-N-x-xx
600	150	-	400	45	0.016	TTR1-600-150-N-x-xx
600	350	-	400	45	0.016	TTR1-600-350-N-x-xx
600	550	-	400	45	0.016	TTR1-600-550-N-x-xx



X-Z

Axis Stroke Length (mm)			Max Speed (mm/s)	Load Capability (kg)	Repeatability (mm)	Model Number
X	Y	Z				
200	-	50	400	45	0.016	TTR1-200-N-50-x-xx
200	-	50	400	45	0.016	TTR1-200-N-50-x-xx
200	-	50	400	45	0.016	TTR1-200-N-50-x-xx
400	-	150	400	45	0.016	TTR1-400-N-150-x-xx
400	-	150	400	45	0.016	TTR1-400-N-150-x-xx
400	-	150	400	45	0.016	TTR1-400-N-150-x-xx
600	-	250	400	45	0.016	TTR1-600-N-250-x-xx
600	-	250	400	45	0.016	TTR1-600-N-250-x-xx
600	-	250	400	45	0.016	TTR1-600-N-250-x-xx