

MOXA Connection Box & Connection Cable Information Sheet

Fifth Edition, June 2006

Overview

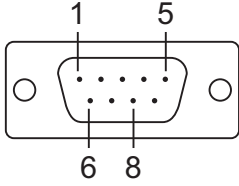
The MOXA Connection Boxes discussed in this information sheet are specially designed for use with MOXA Multiport Serial Boards. Refer to the following table to determine which Connection Box can be used with which Multiport Serial Board.

Connection Box & Connection Cable Usage Chart			C218Turbo Series	C104H Series/ CP-114 Series/ CI-134 Series	CP-118U	CP-168U/ C168H Series	CP-104UL/ CP-134U Series/ CP-104EL	CP-132U Series/ CP-102UL	CP-118EL	CP-168EL
Connection Boxes	8-port	OPT8-M9	√		√	√				
		OPT8-RJ45	√		√	√				
		OPT8A/B/S/F/K/Z	√		√	√				
		OPT8I	√			√				
		OPT8-M9+							√	√
		OPT8A+/B+/S+/F+/K+/Z+							√	√
Connection Cables	8-port	CBL-M68M25x8-100 (OPT8C+)							√	√
		CBL-M68M9x8-100 (OPT8D+)							√	√
		CBL-M62M25x8-100 (OPT8C)	√		√	√				
		CBL-M62M9x8-100 (OPT8D)	√		√	√				
	4-port	CBL-M44M9x4-50					√			
		CBL-M44M25x4-50					√			
		CBL-M37M9x4-30(OPT4C)		√						
		CBL-M37M9x4-30(OPT4D)		√						
2-port	CBL-M25M9x2-50						√			

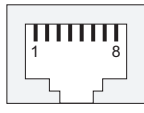
MOXA Connection Boxes are MOXA Green Products. MOXA's Green Products satisfy the RoHS directive of the European Parliament, and accordingly, do not contain cadmium and cadmium compounds, hexavalent chromium compounds, lead and lead compounds, mercury and mercury compounds, PBBs (polybrominated biphenyls), or PBDEs (polybrominated diphenyl ethers).

Pin Assignments

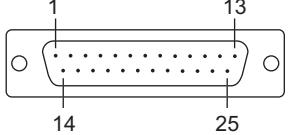
The following figures give the standard RS-232 interface pin assignments for **Male DB9**, **8-pin RJ45**, **Male DB25**, and **Female DB25** connectors.

DB9 Male—RS-232		
Pin No.	Signal	
1	DCD	
2	RxD	
3	TxD	
4	DTR	
5	GND	
6	DSR	
7	RTS	
8	CTS	
9	---	

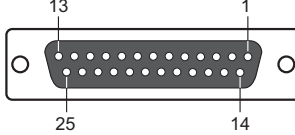
- OPT8-M9, OPT8-M9+
- CBL-M62M9x8-100 (OPT8D), CBL-M68M9x8-100 (OPT8D+)
- CBL-M44M9x4-50
- CBL-M37M9x4-30 (OPT4D)
- CBL-M25M9x2-50

RJ45—RS-232		
Pin No.	Signal	
1	DSR	
2	RTS	
3	GND	
4	TxD	
5	RxD	
6	DCD	
7	CTS	
8	DTR	

- OPT8-RJ45

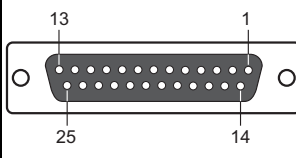
DB25 Male—RS-232		
Pin No.	Signal	
2	TxD	
3	RxD	
4	RTS	
5	CTS	
6	DSR	
7	GND	
8	DCD	
20	DTR	

- OPT8B, OPT8B+
- CBL-M62M25x8-100 (OPT8C), CBL-M68M25x8-100(OPT8C+)
- CBL-M44M25x4-50
- CBL-M37M25x4-30 (OPT4C)

DB25 Female—RS-232		
Pin No.	Signal	
2	RxD	
3	TxD	
4	CTS	
5	RTS	
6	DTR	
7	GND	
8	DCD	
20	DSR	

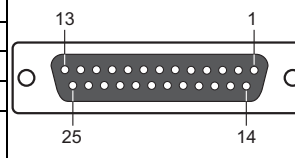
- OPT8A, OPT8A+
- OPT8S, OPT8S+

DB25 Female—RS-422/4-wire RS-485	
Pin No.	Signal
2	RxD+(B)
3	TxD+(B)
7	GND
14	RxD-(A)
16	TxD-(A)



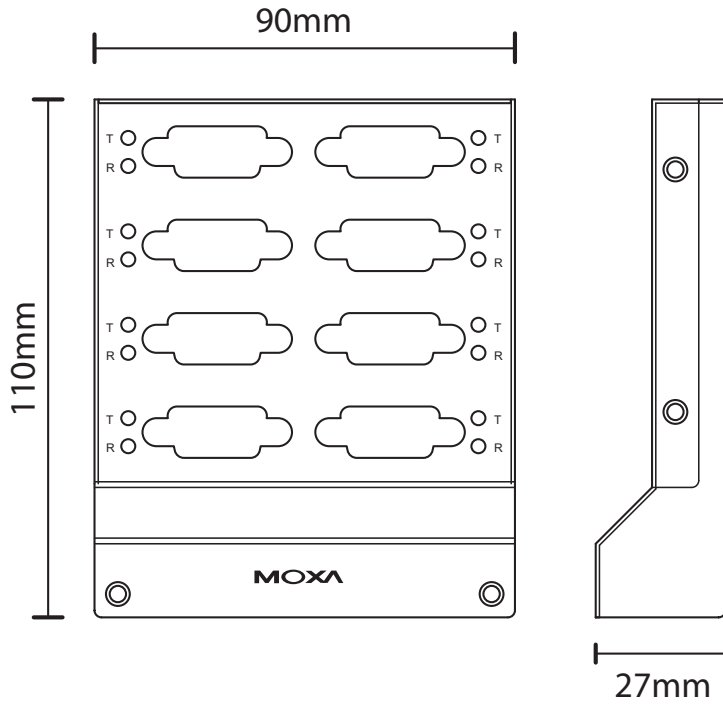
- OPT8F (RS-422 only), OPT8F+
- OPT8K, OPT8K+
- OPT8Z (RS-422 only), OPT8Z+
- OPT8I, OPT8I+

DB25 Female—2-wire RS-485	
Pin No.	Signal
2	Data+(B)
7	GND
14	Data-(A)

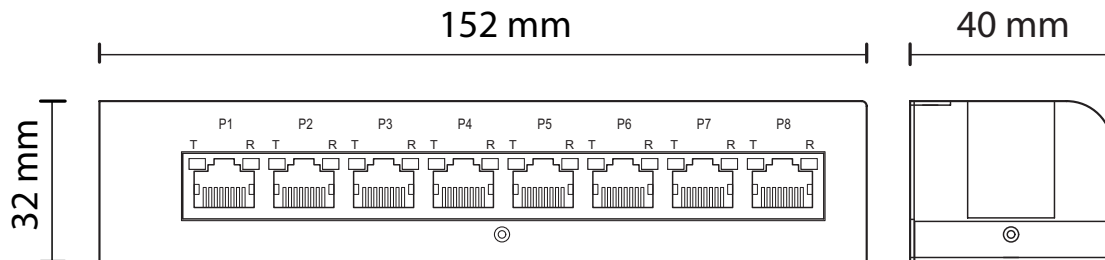


- OPT8K, OPT8K+
- OPT8I, OPT8I+

OPT8-M9, OPT8-M9+ Connection Box Dimensions



OPT8-RJ45 Connection Box Dimensions



MOXA[®]

Tel: +886-2-8919-1230
Fax: +886-2-8919-1231

Website: www.moxa.com
E-mail: support@moxa.com

Copyright © 2006 MOXA Technologies Co., Ltd.
All rights reserved.
Reproduction without permission is prohibited.