

ANT-WDB-ANM-0609 Series

Dual-band omni-directional antennas: 6 dBi at 2.4 GHz or 9 dBi at 5 GHz



Features and Benefits

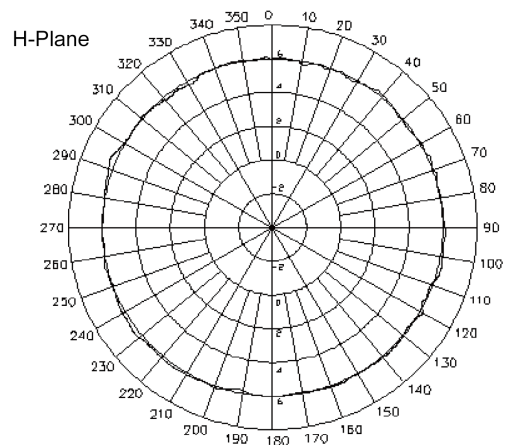
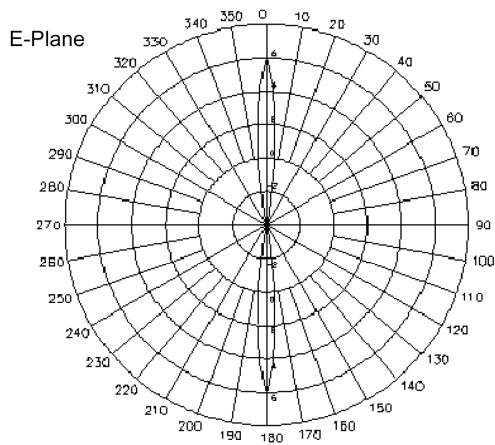
- High-gain antenna to enhance performance
- Waterproof N-type connector
- Lightweight
- Compact form factor
- Housing provides IP65 protection
- -40 to 80°C operating temperature range

Introduction

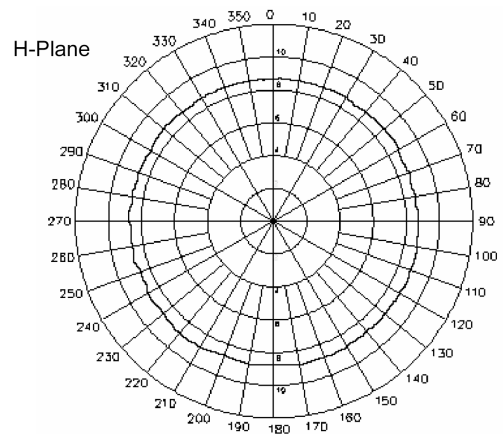
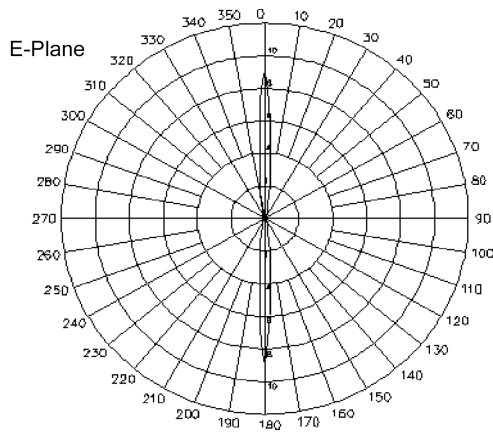
The ANT-WDB-ANM-0609 is an omni-directional lightweight compact dual-band high-gain antenna that comes with waterproof N-type connectors. The IP65-rated housing, pole-mounting support and a wide operating temperature range of -40 to 80°C make it suitable for outdoor use.

Field Patterns

E-Plane for 2.4 GHz



E-Plane for 5 GHz



Specifications

Antenna Characteristics

Frequency	2.4 to 2.5, 5.1 to 5.9 GHz
Antenna Type	Omni-directional
Typical Antenna Gain	6/9 dBi
Connector	N-type (male)
Impedance	50 ohms
Polarization	Linear
HPBW/Horizontal	360°
HPBW/Vertical	8/10°
V.S.W.R.	1:1.5 max.
Power Handling	10 W (max.)

Physical Characteristics

Weight	238 g (0.52 lb)
Length	632 mm (24.88 in)
Diameter	23 mm (0.91 in)
IP Rating	IP65
Radome Color	White
Radome Material	Fiberglass
Installation	Straight mount

Environmental Limits

Operating Temperature	-40 to 80°C (-40 to 176°F)
Storage Temperature (package included)	-40 to 80°C (-40 to 176°F)
Ambient Relative Humidity	5 to 95% (30°C, non-condensing)

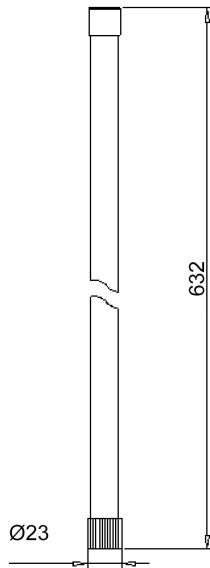
Warranty

Warranty Period	1 year
Details	See www.moxa.com/warranty

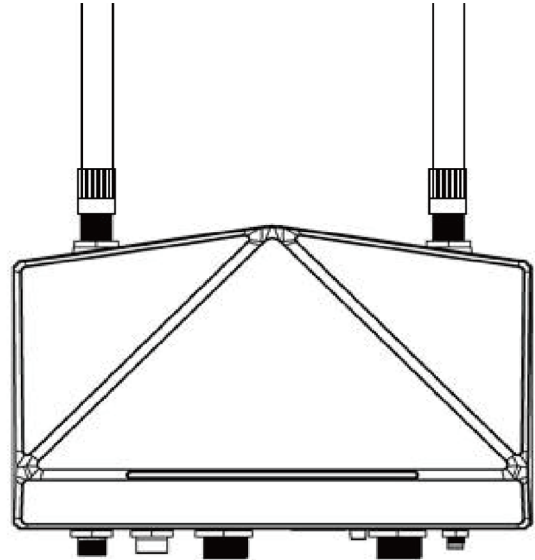
Dimensions and Mounting

Dimensions

Unit: mm



Mounting



Ordering Information

Model Name	Frequency	Antenna Type	Antenna Gain	Connector
ANT-WDB-ANM-0609	2.4 to 2.5, 5.1 to 5.9 GHz	Omni-directional	6/9 dBi	N-type (male)

© Moxa Inc. All rights reserved. Updated Nov 12, 2018.

This document and any portion thereof may not be reproduced or used in any manner whatsoever without the express written permission of Moxa Inc. Product specifications subject to change without notice. Visit our website for the most up-to-date product information.