

ANT-WDB-ARM-0202 Series

Dual-band omni-directional, 2/2 dBi, RP-SMA (male) antennas



Features and Benefits

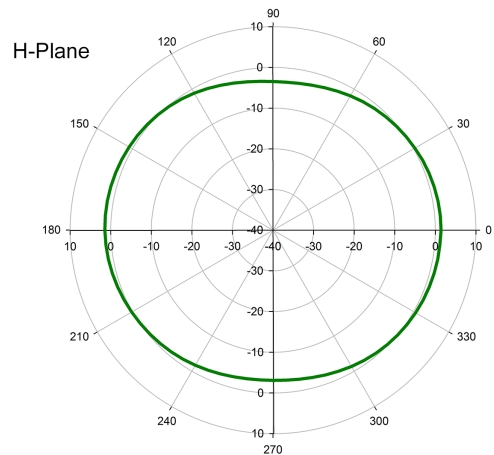
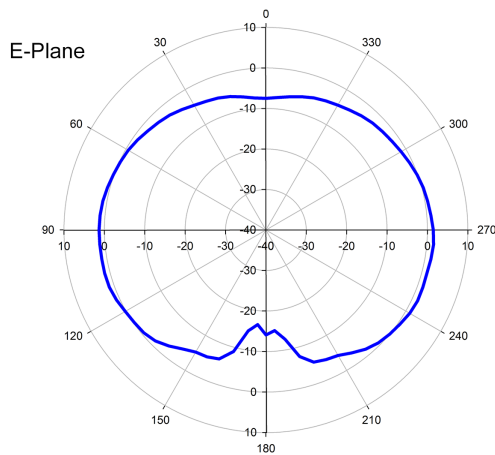
- Small size for easy installation
- Lightweight for portable deployment
- Tilt and swivel design
- Flexible installation
- RP-SMA-type (male) connector

Introduction

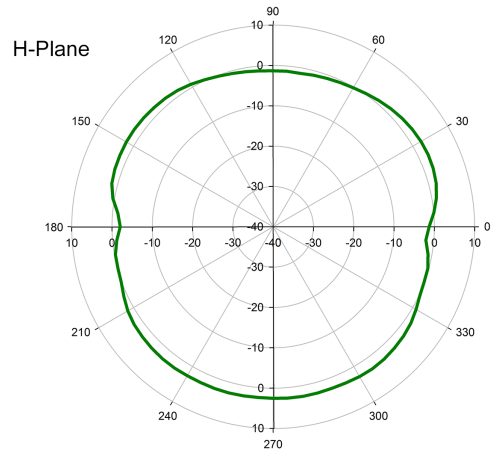
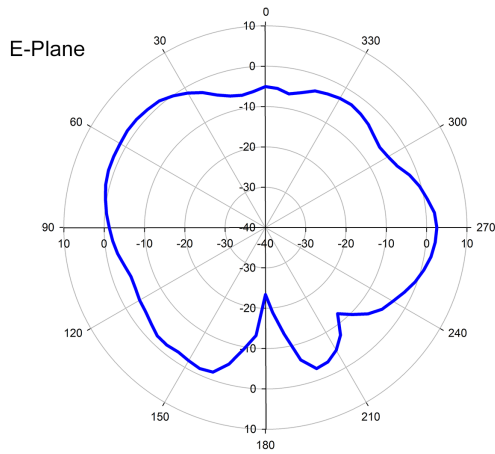
The ANT-WDB-ARM-0202 is an omni-directional lightweight compact dual-band indoor antenna with RP-SMA (male) connectors. The antenna provides a gain of 2/2 dBi and is designed to operate in temperatures from -40 to 75°C.

Field Patterns

Frequency: 2.4 GHz



Frequency: 5 GHz



Specifications

Antenna Characteristics

Frequency	2.4 to 2.5, 4.9 to 5.825 GHz
Antenna Type	Omni-directional
Typical Antenna Gain	2/2 dBi
Connector	RP-SMA (male)
Impedance	50 ohms
Polarization	Linear
HPBW/Horizontal	360°
V.S.W.R.	2:1 max.
Power Handling	1 W (max.)

Physical Characteristics

Weight	9.65 g (0.02 lb)
Length	136 mm (5.35 in)
Radome Color	Black
Radome Material	Plastic
Installation	Straight mount

Environmental Limits

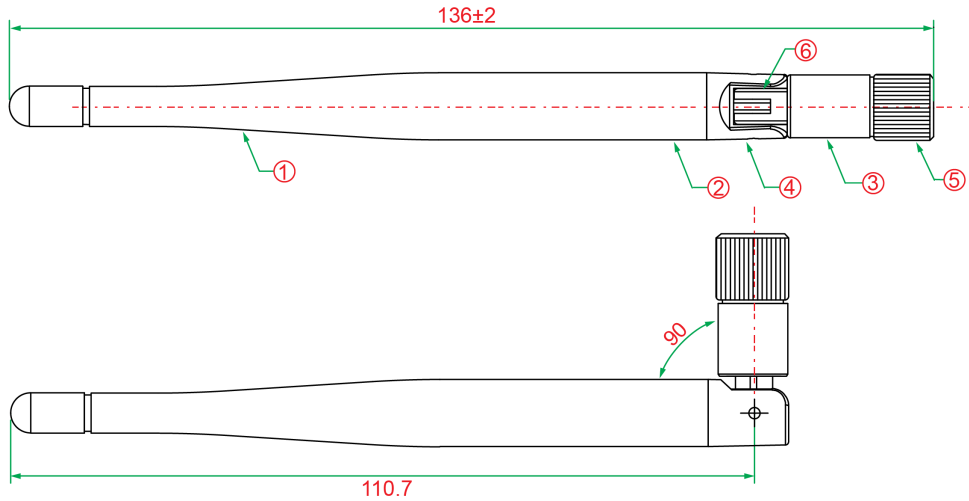
Operating Temperature	-40 to 75°C (-40 to 167°F)
Storage Temperature (package included)	-40 to 75°C (-40 to 167°F)
Ambient Relative Humidity	5 to 95% (30°C, non-condensing)

Warranty

Warranty Period	1 year
Details	See www.moxa.com/warranty

Dimensions

Unit: mm



Ordering Information

Model Name	Frequency	Antenna Type	Antenna Gain	Connector
ANT-WDB-ARM-0202	2.4 to 2.5, 4.9 to 5.825 GHz	Omni-directional	2/2 dBi	RP-SMA (male)

© Moxa Inc. All rights reserved. Updated Jan 09, 2019.

This document and any portion thereof may not be reproduced or used in any manner whatsoever without the express written permission of Moxa Inc. Product specifications subject to change without notice. Visit our website for the most up-to-date product information.