

ANT-WSB-ANF-09 Series

Omni-directional antennas: 9 dBi at 2.4 GHz



Features and Benefits

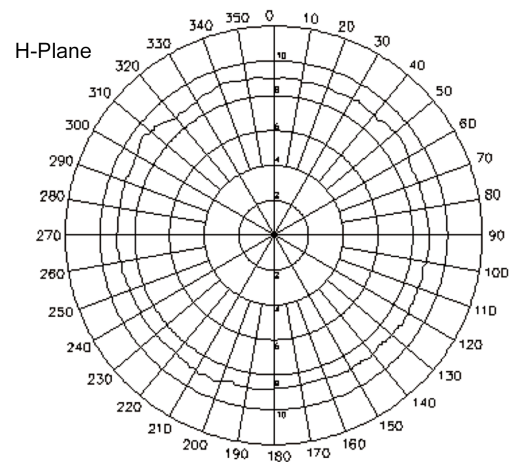
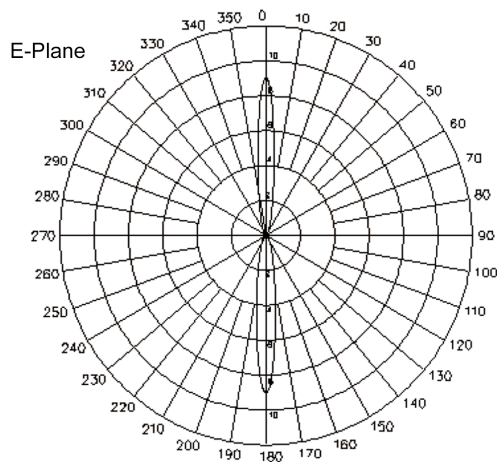
- High-gain antenna to enhance performance
- Waterproof N-type connector
- Lightweight
- Compact form factor
- Pole-mounting support
- Housing provides IP65 protection
- -40 to 80°C operating temperature range

Introduction

The ANT-WSB-ANF-09 is an omni-directional lightweight compact dual-band high-gain indoor antenna with a SMA (male) connector and magnetic mount. The antenna provides a gain of 9 dBi and is designed to operate in temperatures from -40 to 80°C.

Field Patterns

Frequency: 2.4 GHz



Specifications

Antenna Characteristics

Frequency	2.4 to 2.5 GHz
Antenna Type	Omni-directional
Typical Antenna Gain	9 dBi
Connector	N-type (female)
Impedance	50 ohms

Polarization	Linear
HPBW/Horizontal	360°
HPBW/Vertical	10°
V.S.W.R.	1:1.3 max.
Power Handling	15 W (max.)

Physical Characteristics

Weight	430 g (0.95 lb)
Length	420 mm (16.55 in)
Diameter	35 mm (1.38 in)
IP Rating	IP65
Radome Color	White
Radome Material	Glass fiber
Installation	Pole mount

Environmental Limits

Operating Temperature	-40 to 80°C (-40 to 176°F)
Storage Temperature (package included)	-40 to 80°C (-40 to 176°F)
Ambient Relative Humidity	5 to 95% (30°C, non-condensing)

Warranty

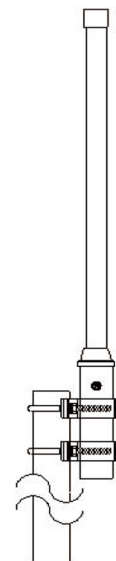
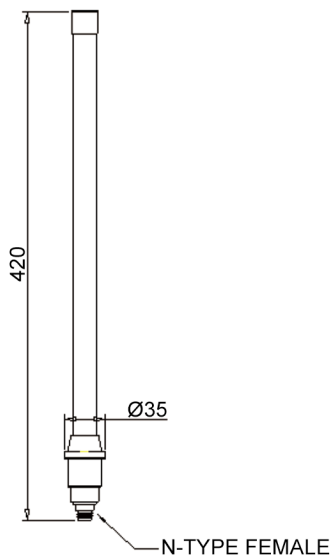
Warranty Period	1 year
Details	See www.moxa.com/warranty

Dimensions and Mounting

Dimensions

Mounting

Unit: mm



Ordering Information

Model Name	Frequency	Antenna Type	Antenna Gain	Connector
ANT-WSB-ANF-09	2.4 to 2.5 GHz	Omni-directional	9 dBi	N-type (female)

© Moxa Inc. All rights reserved. Updated Nov 12, 2018.

This document and any portion thereof may not be reproduced or used in any manner whatsoever without the express written permission of Moxa Inc. Product specifications subject to change without notice. Visit our website for the most up-to-date product information.