

ANT-WSB-PNF-18 Series

Directional panel antennas: 18 dBi at 2.4 GHz



Features and Benefits

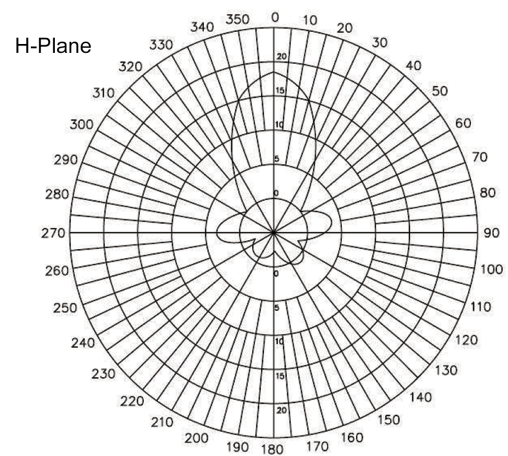
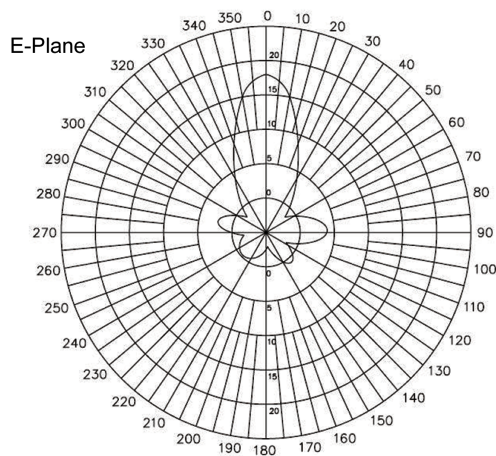
- High-gain antenna to enhance performance
- Waterproof N-type connector
- Lightweight
- Compact form factor
- Pole-mounting support
- Housing provides IP65 protection
- -40 to 80°C operating temperature range

Introduction

The ANT-WSB-PNF-18 is a lightweight compact dual-band high-gain directional panel antenna with waterproof N-type connector. The antenna provides a gain of 18 dB at 2.4 GHz. The IP65-rated housing, pole-mounting support, and a wide operating temperature range of -40 to 80°C make it suitable for outdoor use.

Field Patterns

Frequency: 2.4 GHz



Specifications

Antenna Characteristics

Frequency	2.4 to 2.5 GHz
Antenna Type	Directional, Panel
Typical Antenna Gain	18 dBi
Connector	N-type (female)
Impedance	50 ohms

Polarization	Linear
HPBW/Horizontal	30°
HPBW/Vertical	20°
V.S.W.R.	1:1.5 max.
Power Handling	15 W (max.)

Physical Characteristics

IP Rating	IP65
Dimensions	270 x 205 x 15 mm (10.63 x 8.07 x 0.59 in)
Weight	310 g (0.68 lb)
Radome Color	Light gray
Radome Material	PC and ABS
Installation	Pole mount

Environmental Limits

Operating Temperature	-40 to 80°C (-40 to 176°F)
Storage Temperature (package included)	-40 to 80°C (-40 to 176°F)
Ambient Relative Humidity	5 to 95% (30°C, non-condensing)

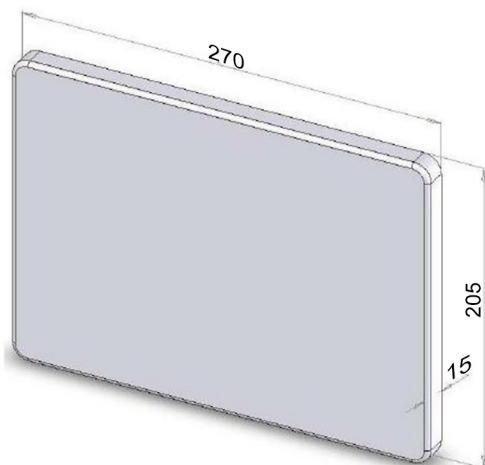
Warranty

Warranty Period	1 year
Details	See www.moxa.com/warranty

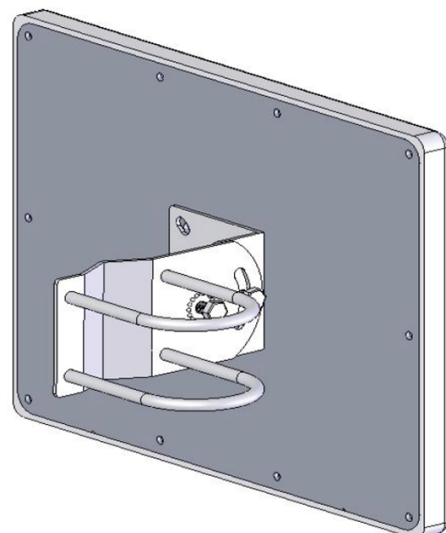
Dimensions and Mounting

Dimensions

Unit: mm



Mounting



Ordering Information

Model Name	Frequency	Antenna Type	Antenna Gain	Connector
ANT-WSB-PNF-18	2.4 to 2.5 GHz	Directional, Panel	18 dBi	N-type (female)

© Moxa Inc. All rights reserved. Updated Nov 12, 2018.

This document and any portion thereof may not be reproduced or used in any manner whatsoever without the express written permission of Moxa Inc. Product specifications subject to change without notice. Visit our website for the most up-to-date product information.