

EDS-205 Series

5-port entry-level unmanaged Ethernet switches



Features and Benefits

- 10/100BaseT(X) (RJ45 connector)
- IEEE802.3/802.3u/802.3x support
- Broadcast storm protection
- DIN-rail mounting ability
- -10 to 60°C operating temperature range

Certifications



Introduction

The EDS-205 Series supports IEEE 802.3/802.3u/802.3x with 10/100M, full/half-duplex, MDI/MDIX auto-sensing RJ45 ports. The EDS-205 Series is rated to operate at temperatures ranging from -10 to 60°C, and is rugged enough for any harsh industrial environment. The switches can be easily installed on a DIN rail as well as in distribution boxes. The DIN-rail mounting capability, wide operating temperature, and the IP30 housing with LED indicators make the plug-and-play EDS-205 switches reliable and easy to use.

Specifications

Ethernet Interface

| | |
|---------------------------------------|---|
| Standards | IEEE 802.3 for 10BaseT IEEE 802.3u for 100BaseT(X) IEEE 802.3x for flow control |
| 10/100BaseT(X) Ports (RJ45 connector) | Full/Half duplex mode Auto MDI/MDI-X connection Auto negotiation speed |

Switch Properties

| | |
|--------------------|-------------------|
| Processing Type | Store and Forward |
| MAC Table Size | 1 K |
| Packet Buffer Size | 512 kbits |

Power Parameters

| | |
|-----------------------------|---|
| Input Voltage | 24 VDC |
| Input Current | 0.11 A @ 24 VDC |
| Operating Voltage | 12 to 48 VDC |
| Connection | 1 removable 3-contact terminal block(s) |
| Overload Current Protection | 1.1 A @ 24 VDC |
| Reverse Polarity Protection | Supported |

Physical Characteristics

| | |
|--------------|--|
| Housing | Plastic |
| IP Rating | IP30 |
| Dimensions | 24.9 x 100 x 86.5 mm (0.98 x 3.94 x 3.41 in) |
| Weight | 135 g (0.30 lb) |
| Installation | DIN-rail mounting |

Environmental Limits

| | |
|--|----------------------------|
| Operating Temperature | -10 to 60°C (14 to 140°F) |
| Storage Temperature (package included) | -40 to 85°C (-40 to 185°F) |
| Ambient Relative Humidity | 5 to 95% (non-condensing) |

Standards and Certifications

| | |
|-----------|--|
| Safety | EN 60950-1, UL 508 |
| EMC | EN 55032/24 |
| EMI | CISPR 32, FCC Part 15B Class A |
| EMS | IEC 61000-4-2 ESD: Contact: 4 kV; Air: 8 kV IEC 61000-4-3 RS: 80 MHz to 1 GHz: 3 V/m IEC 61000-4-4 EFT: Power: 1 kV; Signal: 0.5 kV IEC 61000-4-5 Surge: Power: 1 kV; Signal: 1 kV IEC 61000-4-6 CS: 3 V IEC 61000-4-8 PFMF |
| Shock | IEC 60068-2-27 |
| Vibration | IEC 60068-2-6 |
| Freefall | IEC 60068-2-31 |

MTBF

| | |
|-----------|--------------------------|
| Time | 3,915,945 hrs |
| Standards | Telcordia (Bellcore), GB |

Warranty

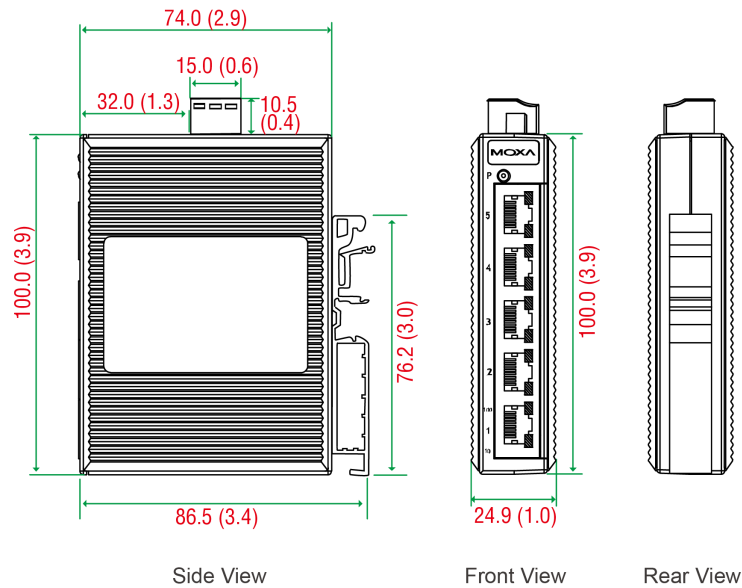
| | |
|-----------------|--|
| Warranty Period | 5 years |
| Details | See www.moxa.com/warranty |

Package Contents

| | |
|---------------|---|
| Device | 1 x EDS-205 Series switch |
| Documentation | 1 x quick installation guide 1 x warranty card |

Dimensions

Unit: mm (inch)



Ordering Information

| Model Name | 10/100BaseT(X) Ports RJ45 Connector | Housing Material | Operating Voltage | Operating Temp. |
|------------|--|------------------|-------------------|-----------------|
| EDS-205 | 5 | Plastic | 12-48 VDC | -10 to 60°C |

Accessories (sold separately)

Power Supplies

| | |
|-----------|---|
| DR-120-24 | 120W/2.5A DIN-rail 24 VDC power supply with universal 88 to 132 VAC or 176 to 264 VAC input by switch, or 248 to 370 VDC input, -10 to 60°C operating temperature |
| DR-4524 | 45W/2A DIN-rail 24 VDC power supply with universal 85 to 264 VAC or 120 to 370 VDC input, -10 to 50°C operating temperature |
| DR-75-24 | 75W/3.2A DIN-rail 24 VDC power supply with universal 85 to 264 VAC or 120 to 370 VDC input, -10 to 60°C operating temperature |
| MDR-40-24 | DIN-rail 24 VDC power supply with 40W/1.7A, 85 to 264 VAC, or 120 to 370 VDC input, -20 to 70°C operating temperature |
| MDR-60-24 | DIN-rail 24 VDC power supply with 60W/2.5A, 85 to 264 VAC, or 120 to 370 VDC input, -20 to 70°C operating temperature |

Rack-Mounting Kits

| | |
|-------|---------------------------|
| RK-4U | 19-inch rack-mounting kit |
|-------|---------------------------|

© Moxa Inc. All rights reserved. Updated Feb 13, 2020.

This document and any portion thereof may not be reproduced or used in any manner whatsoever without the express written permission of Moxa Inc. Product specifications subject to change without notice. Visit our website for the most up-to-date product information.