

SFP-1FE Series

1-port Fast Ethernet SFP module



Features and Benefits

- Digital Diagnostic Monitor Function
- IEEE 802.3u compliant
- Differential PECL inputs and outputs
- TTL signal detect indicator
- Hot pluggable LC duplex connector
- Class 1 laser product; complies with EN 60825-1

Certifications



Introduction

The SFP-1FE Series 1-port Fast Ethernet SFP modules are available as optional accessories for a wide range of Moxa Ethernet switches.

Specifications

Ethernet Interface

Ports	1				
Connectors	Duplex LC connector				
Optical Fiber			Fast Ethernet SFP		
			SFP-M	SFP-S	SFP-L
	Transceiver Type		Multi-Mode		Single-mode
	Fiber Cable Type	OM1/ OM2	62.5/125, 50/125 μ m		G.652
			800 MHz x km		G.652
	Typical Distance		2 km	4 km	40 km
	Wavelength	Typical (nm)	1310		1310
		TX Range (nm)	1280 to 1340		1280 to 1340
		RX Range (nm)	1100 to 1650		1100 to 1600
	Optical Power	TX Range (dBm)	-8 to -18		0 to -5
		RX Range (dBm)	-3 to -32		-3 to -34
		Link Budget (dB)	14		29
		Dispersion Penalty (dB)	2	3	1
	<p>Note: When connecting the SFP-S or L, we recommend using an attenuator to prevent damage caused by excessive optical power.</p>				

Power Parameters

Power Consumption	Max. 1 W
-------------------	----------

Environmental Limits

Operating Temperature	-40 to 85°C (-40 to 185°F)
Storage Temperature (package included)	-40 to 85°C (-40 to 185°F)
Ambient Relative Humidity	5 to 95% (non-condensing)

Standards and Certifications

Safety	CE, FCC, TÜV, UL 60950-1
Maritime	DNV-GL

Warranty

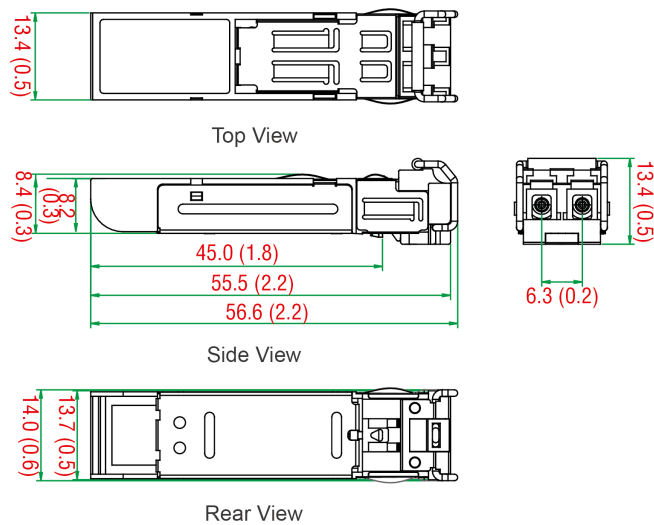
Warranty Period	5 years
Details	See www.moxa.com/warranty

Package Contents

Device	1 x SFP-1FE Series module
Documentation	1 x warranty card

Dimensions

Unit: mm (inch)



Ordering Information

Model Name	100BaseFX Ports	Connector	Transmission Distance	Operating Temp.
SFP-1FEMLC-T	1 x Multi-mode	LC	2 km/4 km	-40 to 85°C
SFP-1FESLC-T	1 x Single-mode	LC	40 km	-40 to 85°C
SFP-1FELLC-T	1 x Single-mode	LC	80 km	-40 to 85°C

© Moxa Inc. All rights reserved. Updated Nov 12, 2018.

This document and any portion thereof may not be reproduced or used in any manner whatsoever without the express written permission of Moxa Inc. Product specifications subject to change without notice. Visit our website for the most up-to-date product information.