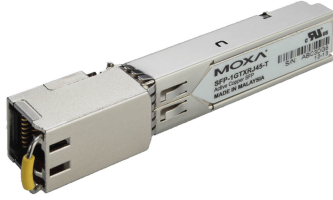


# SFP-1G Copper Series

## 1-port Gigabit Ethernet copper SFP modules



### Features and Benefits

- Compliant with IEEE 802.3, 2002
- 10/100/1000BaseT speed
- Hot Pluggable RJ45 Connector
- TTL signal detection (RX los)
- RoHS compliant and lead free

### Certifications



## Introduction

The SFP-1G Copper Series 1-port Gigabit Ethernet SFP modules are available as optional accessories for a wide range of Moxa Ethernet switches.

## Specifications

### Ethernet Interface

Ports	1
10/100/1000BaseT(X) Ports (RJ45 connector)	1
Note	The port can not be used for Turbo Ring v1, Turbo Ring v2, and Turbo Chain.

### Power Parameters

Power Consumption	Max. 1.2 W
-------------------	------------

### Environmental Limits

Ambient Relative Humidity	5 to 95% (non-condensing)
Operating Temperature	-40 to 75°C (-40 to 167°F)
Storage Temperature (package included)	-40 to 85°C (-40 to 185°F)

### Standards and Certifications

Safety	CE, FCC, TÜV (EN 60825), UL 60950-1
Maritime	DNV-GL

### Warranty

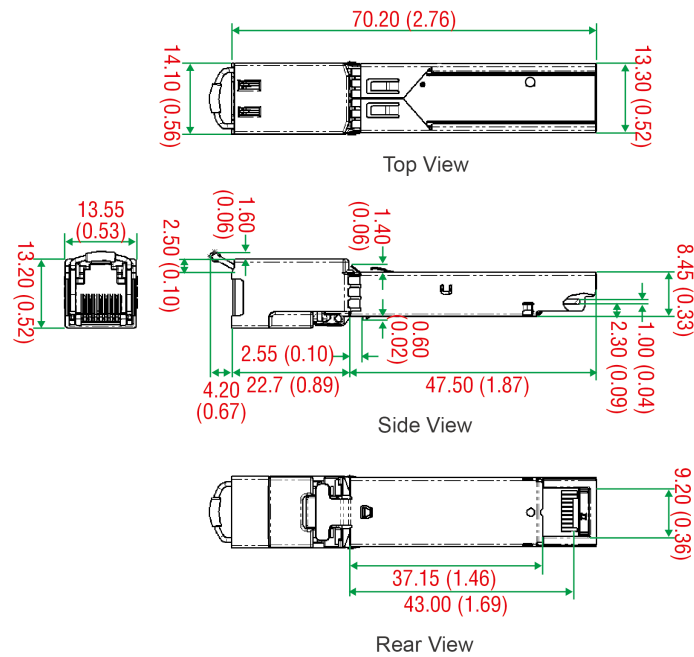
Warranty Period	5 years
Details	See <a href="http://www.moxa.com/warranty">www.moxa.com/warranty</a>

## Package Contents

Device	1 x SFP-1G Copper Series module
Documentation	1 x warranty card

## Dimensions

Unit: mm (inch)



## Ordering Information

Model Name	Connector	Operating Temp.
SFP-1GTXRJ45-T	1*10/100/1000BaseTX RJ45 connector	-40 to 75°C

© Moxa Inc. All rights reserved. Updated Mar 19, 2019.

This document and any portion thereof may not be reproduced or used in any manner whatsoever without the express written permission of Moxa Inc. Product specifications subject to change without notice. Visit our website for the most up-to-date product information.