

# UPort 2210/2410 Series

## 2 and 4-port RS-232 USB-to-serial converters



### Features and Benefits

- Hi-Speed USB 2.0 for up to 480 Mbps USB data transmission rates
- 921.6 kbps maximum baudrate for fast data transmission
- Drivers provided for Windows and Linux
- Driver support for MAC OS
- Supports fixed-base COM Utility for setting the initial extended COM port number
- LEDs for easy monitoring

### Certifications



## Introduction

The UPort® 2210/2410 USB-to-serial converters allow you to connect two or four RS-232 devices to your laptop or workstation through the USB port. The UPort® 2210 and UPort® 2410 are cost-effective solutions for both new and legacy RS-232 devices, and they are perfect for mobile, instrumentation, and point-of-sale applications.

## Specifications

### USB Interface

Speed	12 Mbps, 480 Mbps
USB Connector	USB Type B
USB Standards	USB 1.1/2.0 compliant

### Serial Interface

Serial Standards	RS-232
No. of Ports	UPort 2210: 2 UPort 2410: 4
Connector	DB9 male
Baudrate	50 bps to 921.6 kbps
Data Bits	5, 6, 7, 8
Stop Bits	1, 1.5, 2
Parity	None, Even, Odd, Space, Mark
Flow Control	None, RTS/CTS, XON/XOFF

### Serial Signals

RS-232	TxD, RxD, RTS, CTS, DTR, DSR, DCD, GND
--------	--

<b>Power Parameters</b>	
Input Voltage	5 VDC
Input Current	UPort 2210: 140 mA @ 5 VDC UPort 2410: 240 mA @ 5 VDC
<b>Physical Characteristics</b>	
Housing	Polycarbonate (PC)
Dimensions	UPort 2210: 70 x 35 x 120 mm (2.76 x 1.38 x 4.72 in) UPort 2410: 80 x 35 x 185 mm (3.15 x 1.38 x 7.28 in)
Weight	Packaged: UPort 2210: 325 g (0.72 lb) UPort 2410: 455 g (1 lb)  Product only: UPort 2210: 120 g (0.26 lb) UPort 2410: 210 g (0.46 lb)
<b>Environmental Limits</b>	
Operating Temperature	0 to 55°C (32 to 131°F)
Storage Temperature (package included)	-20 to 75°C (-4 to 167°F)
Ambient Relative Humidity	5 to 95% (non-condensing)
<b>Standards and Certifications</b>	
EMC	EN 55032/24
EMI	CISPR 32, FCC Part 15B Class B
EMS	IEC 61000-4-2 ESD: Contact: 8 kV; Air: 4 kV IEC 61000-4-3 RS: 80 MHz to 1 GHz: 3 V/m IEC 61000-4-4 EFT: Power: 1 kV IEC 61000-4-5 Surge: Power: 1 kV IEC 61000-4-6 CS: 150 kHz to 80 MHz: 3 V/m; Signal: 3 V/m IEC 61000-4-8 PFMF
Safety	UL 60950-1
Vibration	IEC 60068-2-6
Freefall	IEC 60068-2-32
<b>Declaration</b>	
Green Product	RoHS, CRoHS, WEEE
<b>MTBF</b>	
Time	UPort 2210: 4,221,778 hrs UPort 2410: 3,901,775 hrs
Standards	Telcordia (Bellcore), GB
<b>Warranty</b>	
Warranty Period	5 years
Details	See <a href="http://www.moxa.com/warranty">www.moxa.com/warranty</a>

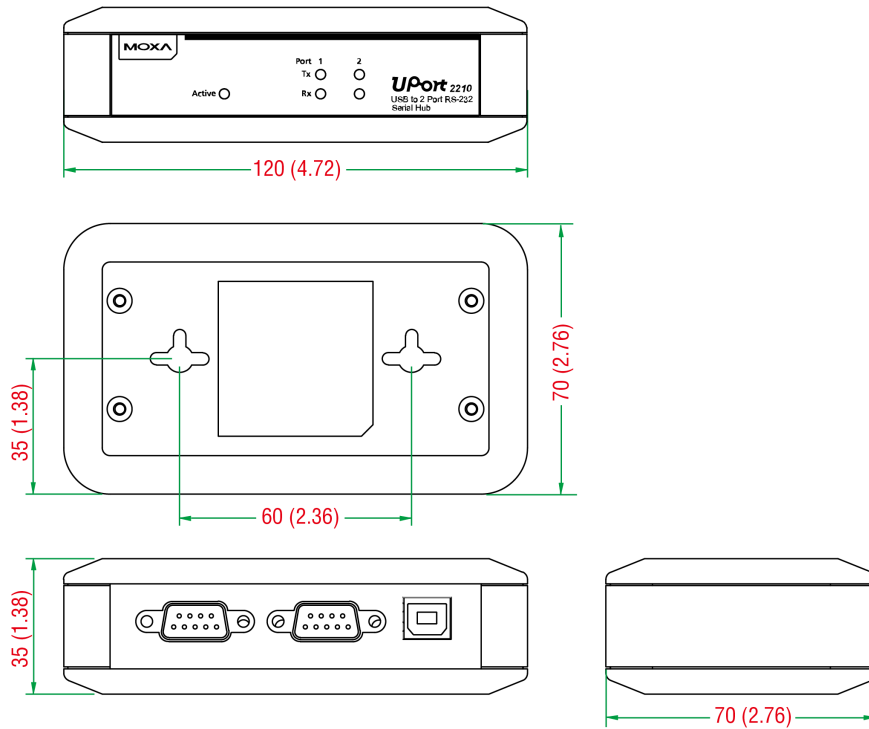
## Package Contents

Device	1 x UPort 2210/2410 Series USB-to-serial converter
Cable	1 x USB type A male to USB type B male
Documentation	1 x quick installation guide 1 x substance disclosure table 1 x warranty card

## Dimensions

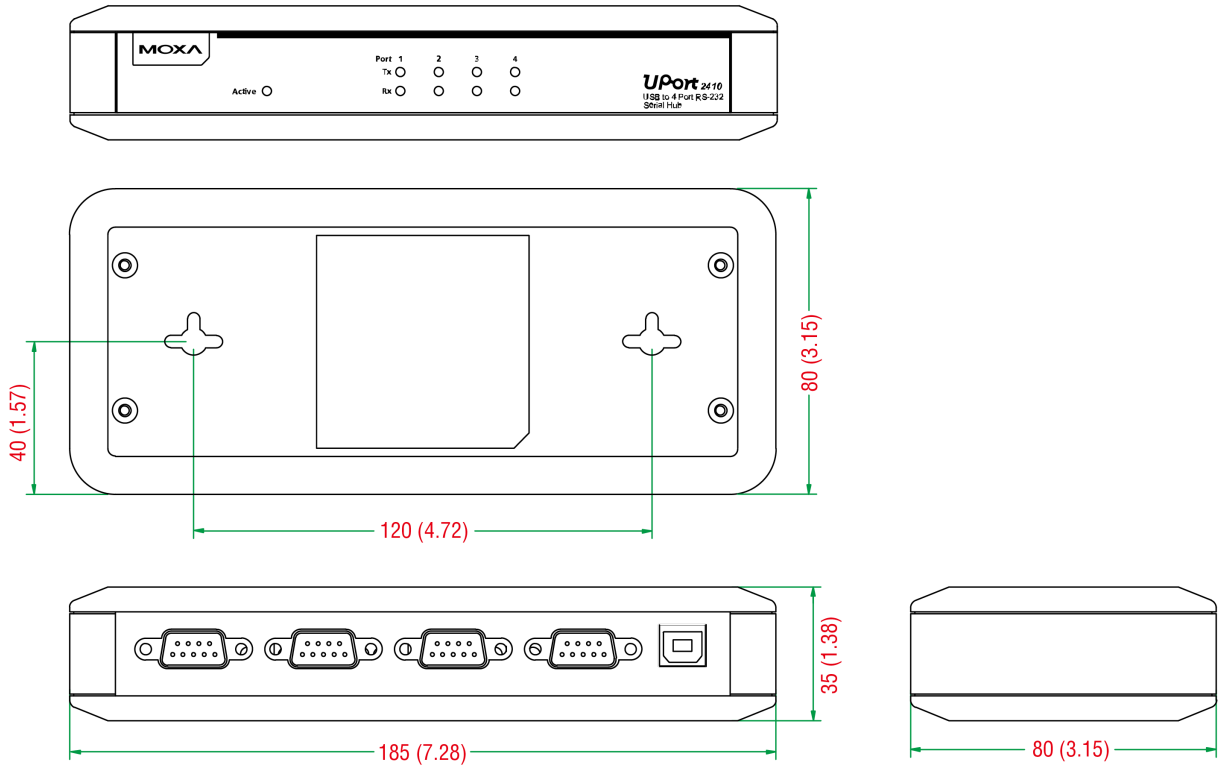
### UPort 2210

Unit: mm (inch)



# UPort 2410

Unit: mm (inch)



## Ordering Information

Model Name	USB Interface	Serial Standards	No. of Serial Ports	Housing Material	Operating Temp.
UPort 2210	USB 2.0	RS-232	2	Polycarbonate (PC)	0 to 55°C
UPort 2410	USB 2.0	RS-232	4	Polycarbonate (PC)	0 to 55°C

© Moxa Inc. All rights reserved. Updated Jan 18, 2020.

This document and any portion thereof may not be reproduced or used in any manner whatsoever without the express written permission of Moxa Inc. Product specifications subject to change without notice. Visit our website for the most up-to-date product information.