

# VPort 06-2 Series

EN 50155, 1080P video image, compact IP cameras



## Features and Benefits

- 1/3" progressive scan camera with maximum 1920 x 1080 resolution at up to 30 fps
- High quality video imaging with DNR and WDR
- Up to 4 simultaneous H.264 or MJPEG independent video streams
- DynaStream™ for optimized network efficiency
- CBR Pro™ for high image quality in limited bandwidth transmissions
- Supports SDXC (up to 2 TB SD card) for local storage
- 1 built-in audio input or microphone
- ONVIF conformity for standardization and interoperability

## Certifications



## Introduction

The VPort 06-2 cameras are compact, 1080P (1920 x 1080), H.264/MJPEG dome IP cameras designed for mobile video surveillance applications. The cameras are compliant with EN 62262 IK8, mandatory sections of EN 50155,<sup>1</sup> and support a -25 to 55°C or -40 to 70°C operating temperature range. With a rugged M12 Ethernet port, SDXC slot for SD cards up to 2 TB, ONVIF Profile S standardization, built-in audio line port or microphone, PoE or 24 VDC power inputs, IP66-rated, and the option of changing the lens, the VPort 06-2 cameras will perform reliably in a variety of extreme environmental conditions, making them suitable for a wide variety of mobile video surveillance applications.

## Specifications

### Memory

|              |      |
|--------------|------|
| microSD Slot | SDXC |
|--------------|------|

### Input/Output Interface

|                        |  |
|------------------------|--|
| Digital Input Channels | 1  |
| Digital Inputs         | +13 to +30 V for state 1<br>-30 to +1 V for state 0<br>Max. input current: 8 mA              |
| Connector              | VPort P06-2 Series: 5-pin male M12 connector with 20 cm cable<br>VPort 06-2 Series: DB9 male |

### Ethernet Interface

|  |                       |
|--|-----------------------|
| PoE Ports (10/100BaseT(X), M12 D-coded 4-pin female connector) | VPort P06-2 Series: 1 |
| 10/100BaseT(X) Ports (M12 D-coded 4-pin female connector)      | VPort 06-2 Series: 1  |

### Ethernet Software Features

|           |   |
|-----------|---|
| Protocols | TCP/IP, IPv4/IPv6, UDP, HTTP, RTP/RTSP, ARP, UPnP, FTP, TFTP, SMTP, NTP Client, DNS, DDNS, QoS, IGMP v3, ICMP, SNMPv1/v2c/v3, DHCP Opt66/67, HTTPS, SIP |
|-----------|---|

1. This product is suitable for rolling stock railway applications, as defined by the EN 50155 standard. For a more detailed statement, refer to: [www.moxa.com/doc/specs/EN\\_50155\\_Compliance.pdf](http://www.moxa.com/doc/specs/EN_50155_Compliance.pdf)

## Security Functions

|            |                                |
|------------|--------------------------------|
| Password   | User-level password protection |
| Filter     | IP address                     |
| Encryption | HTTPS                          |

## Power Parameters

|                       |  |
|-----------------------|--|
| No. of Power Inputs   | 1  |
| Source of Input Power | VPort P06-2 Series: PoE (IEEE 802.3af)   |
| Input Voltage         | VPort 06-2 Series: 12/24 VDC   |
| Input Current         | VPort 06-2 Series: 0.86 A @ 12 VDC; 0.38 A @ 24 VDC<br>VPort P06-2 Series: 0.17 A @ 48 VDC |
| Power Connector       | VPort 06-2 Series: DB9 connector   |

## Camera Characteristics

|                               |   |
|-------------------------------|---|
| Sensor                        | 1/3-in 1080P progressive scan CMOS  |
| Lens                          | VPort 06/P06-2x25M Series: f=2.5 mm, F1.6, Diagonal 120°, Horizontal 101°, Vertical 57°<br>VPort 06/P06-2x36M Series: f=3.6 mm, F1.6, Diagonal 99°, Horizontal 70°, Vertical 39°<br>VPort 06/P06-2x42M Series: f=4.2 mm, F1.6, Diagonal 82°, Horizontal 62°, Vertical 34°<br>VPort 06/P06-2x60M Series: f=6.0 mm, F1.8, Diagonal 62°, Horizontal 43°, Vertical 24°<br>VPort 06/P06-2x80M Series: f=8.0 mm, F1.6, Diagonal 42°, Horizontal 33°, Vertical 17° |
| Minimum Illumination          | Color: 0.2 lux, at F1.2 (Gain High, 50 IRE, 1/30 sec)   |
| Synchronization               | Internal  |
| White Balance                 | ATW/AWB   |
| Electronic Shutter            | Auto, Fixed (1/30 to 1/25000 sec)   |
| S/N Ratio                     | Maximum 50 dB (AGC off; DNR on)   |
| DNR (digital noise reduction) | Built-in 2D/3D DNR  |
| WDR (wide dynamic range)      | 100 dB  |
| AGC (auto gain control)       | 2X, 4X, 8X, 16X   |
| Flickerless Control           | Automatic, 50 Hz, 60 Hz modes   |
| Image Rotation                | Flip, Mirror, 90°, 180°, 270° rotation  |
| Image Setting                 | Manual tuning with saturation, sharpness, and contrast  |
| Camera Angle                  | Pan: ±15°, Tilt: 0° to 90° (controlled manually)<br>Note: Tilt of 2.5 mm lens model is 30° to 60°   |

## Video Interface

|                   |  |
|-------------------|--|
| Video Compression | H.264 (ISO/IEC 14496-10) or MJPEG          |
| Video Output      | via Ethernet                               |
| Video Streams     | 4 independent H.264 or MJPEG video streams |

|  |   |            |             |            |    |
|--|---|------------|-------------|------------|----|
| Video Resolution and FPS (frames per second) | NTSC  |            | PAL         |            |    |
|  | Size  | Max. FPS   | Size        | Max. FPS   |    |
|  | QCIF  | 176 x 112  | 30          | 176 x 144  | 25 |
|  | CIF   | 352 x 240  | 30          | 352 x 288  | 25 |
|  | VGA   | 640 x 480  | 30          | 640 x 480  | 25 |
|  | 4CIF  | 704 x 480  | 30          | 704 x 576  | 25 |
|  | Full D1   | 720 x 480  | 30          | 720 x 576  | 25 |
|  | SVGA  | 800 x 600  | 30          | 800 x 600  | 25 |
|  | HD  | 1280 x 720 | 30          | 1280 x 720 | 25 |
|  | WXGA  | 1280 x 800 | 30          | 1280 x 800 | 25 |
| Full HD                                      | 1920 x 1080   | 30         | 1920 x 1080 | 25         |    |
| Video Viewing                                | DynaStream™ support for changing the video frame rate automatically<br>CBR Pro™ for good image quality in limited bandwidth transmissions<br>3 privacy mask areas provided<br>Adjustable image size and quality<br>Timestamp and text overlay<br>OSD (On Screen Display) position adjustable<br>Maximum of 5 simultaneous unicast connections, 50 multicast clients |            |             |            |    |
| <b>Audio Interface</b>                       |   |            |             |            |    |
| Audio Format                                 | Mono, PCM (G.711)<br>AAC  |            |             |            |    |
| Audio Inputs                                 | VPort 06/P06-2MxxM Series: 1 x built-in microphone<br>VPort 06-2LxxM Series: 1 x line-in, with DB9 connector<br>VPort P06-2LxxM Series: 1 x line-in, with M12 connector   |            |             |            |    |
| <b>Camera Software Development</b>           |   |            |             |            |    |
| Video Standards                              | ONVIF Profile S   |            |             |            |    |
| <b>Camera Alarm Software Features</b>        |   |            |             |            |    |
| Intelligent Video                            | Camera tampering detection  |            |             |            |    |
| Video Motion Detection                       | 3 independently configurable areas  |            |             |            |    |
| Shock Detection                              | Built-in G sensor   |            |             |            |    |
| Scheduling                                   | Daily repeat timing schedule  |            |             |            |    |
| Imaging                                      | JPEG snapshots for pre/trigger/post alarm images  |            |             |            |    |
| Custom Alarms                                | HTTP event servers for setting customized alarm actions   |            |             |            |    |
| Email/FTP Messaging                          | Automatic transfer of stored images via email or FTP as event-triggered actions   |            |             |            |    |
| Pre-Alarm Buffer                             | 50 MB video buffer for JPEG snapshot images   |            |             |            |    |
| Video Recording                              | Event recordings stored on the SD card  |            |             |            |    |
| <b>Software Requirements</b>                 |   |            |             |            |    |
| Memory Size                                  | 2 GB  |            |             |            |    |
| Operating System                             | Windows 7 or above  |            |             |            |    |

|  |  |
|--|--|
| Browser                                | Internet Explorer 9.x or above   |
| Multimedia                             | DirectX 9.0C or above  |
| <b>Physical Characteristics</b>        |  |
| Housing                                | IP66 rain and dust protection<br>Metal housing, PC dome cover<br>IK8 vandal resistant protection   |
| Dimensions                             | 110 x 115.5 x 61.8 mm (4.33 x 4.53 x 2.43 in)  |
| Weight                                 | 620 g (1.37 lb)  |
| Installation                           | Panel mounting   |
| Protection                             | -CT models: PCB conformal coating  |
| <b>Environmental Limits</b>            |  |
| Operating Temperature                  | Standard Models: -25 to 55°C (-13 to 131°F)<br>Wide Temp. Models: -40 to 70°C (-40 to 158°F)   |
| Storage Temperature (package included) | -40 to 85°C (-40 to 185°F)   |
| Ambient Relative Humidity              | 5 to 95% (non-condensing)  |
| Ingress Protection                     | IEC 60529, IP66  |
| Vandal Resistance                      | EN 62262, IK8  |
| Altitude                               | 2000 m<br>Note: Please contact Moxa if you require products guaranteed to function properly at higher altitudes.   |
| <b>Standards and Certifications</b>    |  |
| EMI                                    | CISPR 32, FCC Part 15B Class A   |
| EMS                                    | IEC 61000-4-2 ESD: Contact: 6 kV; Air: 8 kV<br>IEC 61000-4-3 RS: 80 MHz to 1 GHz: 20 V/m<br>IEC 61000-4-4 EFT: Power: 2 kV; Signal: 2 kV<br>IEC 61000-4-5 Surge: Power: 2 kV; Signal: 2 kV<br>IEC 61000-4-6 CS: 10 V<br>IEC 61000-4-8 PFMF |
| Freefall                               | IEC 60068-2-31   |
| Railway Fire Protection                | EN 45545-2   |
| Safety                                 | UL 60950-1   |
| Shock                                  | IEC 60068-2-27, IEC 61373, EN 50155  |
| Vibration                              | IEC 60068-2-64, IEC 61373, EN 50155  |
| Railway                                | EN 50155 (complies with a portion of EN 50155 specifications), GB/T 24338.4-2009   |
| <b>MTBF</b>                            |  |
| Time                                   | VPort 06-2LXXM Series: 1,063,089 hrs<br>VPort 06-2MXXM Series: 1,039,008 hrs<br>VPort P06-2LXXM Series: 1,075,216 hrs<br>VPort P06-2MXXM Series: 1,050,590 hrs   |
| Standards                              | Telcordia SR332  |

## Warranty

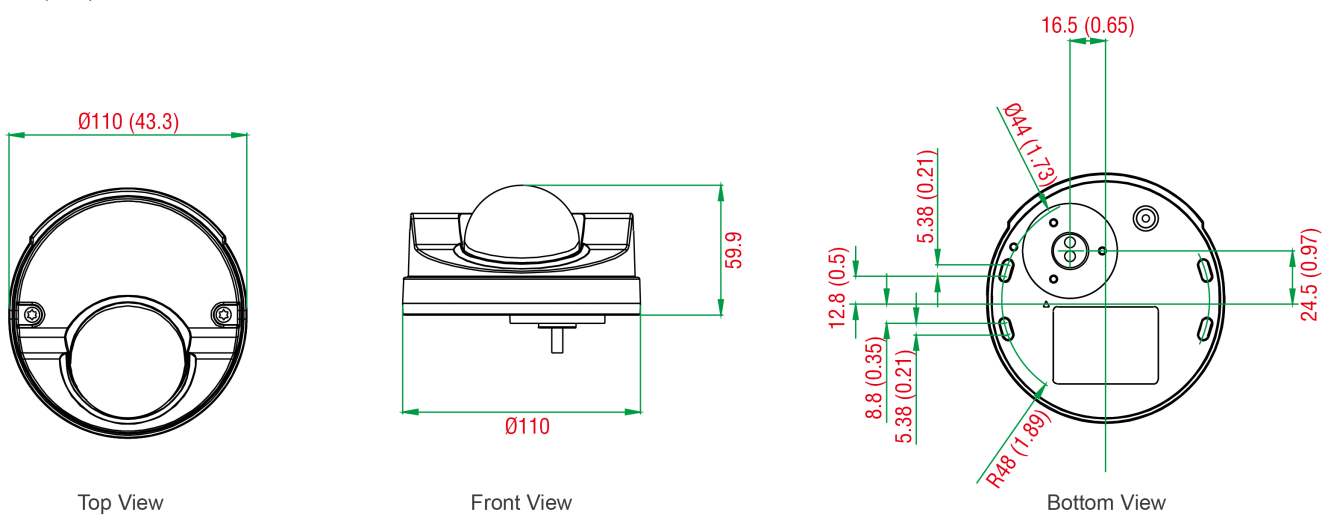
|                 |  |
|-----------------|--|
| Warranty Period | 5 years  |
| Details         | See <a href="http://www.moxa.com/warranty">www.moxa.com/warranty</a> |

## Package Contents

|                  |   |
|------------------|---|
| Device           | 1 x VPort 06-2 Series camera  |
| Installation Kit | 1 x sticker<br>1 x L-type Torx screwdriver<br>4 x indented hexagonal head tapping screws, nuts, gaskets, and spring washers |
| Documentation    | 1 x document and software CD<br>1 x quick installation guide<br>1 x warranty card   |

## Dimensions

Unit: mm (inch)



## Ordering Information

| Model Name           | Lens   | Audio Interface | Local Storage                | Power Input | Operating Temp. | Conformal Coating |
|----------------------|--------|-----------------|------------------------------|-------------|-----------------|-------------------|
| VPort P06-2L25M      | 2.5 mm | Line-in         | microSD slot, SDXC interface | PoE         | -25 to 55°C     | -                 |
| VPort P06-2L25M-T    | 2.5 mm | Line-in         | microSD slot, SDXC interface | PoE         | -40 to 70°C     | -                 |
| VPort P06-2M25M      | 2.5 mm | Microphone      | microSD slot, SDXC interface | PoE         | -25 to 55°C     | -                 |
| VPort P06-2M25M-T    | 2.5 mm | Microphone      | microSD slot, SDXC interface | PoE         | -40 to 70°C     | -                 |
| VPort P06-2L25M-CT   | 2.5 mm | Line-in         | microSD slot, SDXC interface | PoE         | -25 to 55°C     | ✓                 |
| VPort P06-2L25M-CT-T | 2.5 mm | Line-in         | microSD slot, SDXC interface | PoE         | -40 to 70°C     | ✓                 |
| VPort P06-2M25M-CT   | 2.5 mm | Microphone      | microSD slot, SDXC interface | PoE         | -25 to 55°C     | ✓                 |
| VPort P06-2M25M-CT-T | 2.5 mm | Microphone      | microSD slot, SDXC interface | PoE         | -40 to 70°C     | ✓                 |
| VPort 06-2L25M       | 2.5 mm | Line-in         | microSD slot, SDXC interface | 12/24 VDC   | -25 to 55°C     | -                 |

| Model Name           | Lens   | Audio Interface | Local Storage                | Power Input | Operating Temp. | Conformal Coating |
|----------------------|--------|-----------------|------------------------------|-------------|-----------------|-------------------|
| VPort 06-2L25M-T     | 2.5 mm | Line-in         | microSD slot, SDXC interface | 12/24 VDC   | -40 to 70°C     | -                 |
| VPort 06-2M25M       | 2.5 mm | Microphone      | microSD slot, SDXC interface | 12/24 VDC   | -25 to 55°C     | -                 |
| VPort 06-2M25M-T     | 2.5 mm | Microphone      | microSD slot, SDXC interface | 12/24 VDC   | -40 to 70°C     | -                 |
| VPort 06-2L25M-CT    | 2.5 mm | Line-in         | microSD slot, SDXC interface | 12/24 VDC   | -25 to 55°C     | ✓                 |
| VPort 06-2L25M-CT-T  | 2.5 mm | Line-in         | microSD slot, SDXC interface | 12/24 VDC   | -40 to 70°C     | ✓                 |
| VPort 06-2M25M-CT    | 2.5 mm | Microphone      | microSD slot, SDXC interface | 12/24 VDC   | -25 to 55°C     | ✓                 |
| VPort 06-2M25M-CT-T  | 2.5 mm | Microphone      | microSD slot, SDXC interface | 12/24 VDC   | -40 to 70°C     | ✓                 |
| VPort P06-2L36M      | 3.6 mm | Line-in         | microSD slot, SDXC interface | PoE         | -25 to 55°C     | -                 |
| VPort P06-2L36M-T    | 3.6 mm | Line-in         | microSD slot, SDXC interface | PoE         | -40 to 70°C     | -                 |
| VPort P06-2M36M      | 3.6 mm | Microphone      | microSD slot, SDXC interface | PoE         | -25 to 55°C     | -                 |
| VPort P06-2M36M-T    | 3.6 mm | Microphone      | microSD slot, SDXC interface | PoE         | -40 to 70°C     | -                 |
| VPort P06-2L36M-CT   | 3.6 mm | Line-in         | microSD slot, SDXC interface | PoE         | -25 to 55°C     | ✓                 |
| VPort P06-2L36M-CT-T | 3.6 mm | Line-in         | microSD slot, SDXC interface | PoE         | -40 to 70°C     | ✓                 |
| VPort P06-2M36M-CT   | 3.6 mm | Microphone      | microSD slot, SDXC interface | PoE         | -25 to 55°C     | ✓                 |
| VPort P06-2M36M-CT-T | 3.6 mm | Microphone      | microSD slot, SDXC interface | PoE         | -40 to 70°C     | ✓                 |
| VPort 06-2L36M       | 3.6 mm | Line-in         | microSD slot, SDXC interface | 12/24 VDC   | -25 to 55°C     | -                 |
| VPort 06-2L36M-T     | 3.6 mm | Line-in         | microSD slot, SDXC interface | 12/24 VDC   | -40 to 70°C     | -                 |
| VPort 06-2M36M       | 3.6 mm | Microphone      | microSD slot, SDXC interface | 12/24 VDC   | -25 to 55°C     | -                 |
| VPort 06-2M36M-T     | 3.6 mm | Microphone      | microSD slot, SDXC interface | 12/24 VDC   | -40 to 70°C     | -                 |
| VPort 06-2L36M-CT    | 3.6 mm | Line-in         | microSD slot, SDXC interface | 12/24 VDC   | -25 to 55°C     | ✓                 |
| VPort 06-2L36M-CT-T  | 3.6 mm | Line-in         | microSD slot, SDXC interface | 12/24 VDC   | -40 to 70°C     | ✓                 |
| VPort 06-2M36M-CT    | 3.6 mm | Microphone      | microSD slot, SDXC interface | 12/24 VDC   | -25 to 55°C     | ✓                 |
| VPort 06-2M36M-CT-T  | 3.6 mm | Microphone      | microSD slot, SDXC interface | 12/24 VDC   | -40 to 70°C     | ✓                 |
| VPort P06-2L42M      | 4.2 mm | Line-in         | microSD slot, SDXC interface | PoE         | -25 to 55°C     | -                 |
| VPort P06-2L42M-T    | 4.2 mm | Line-in         | microSD slot, SDXC interface | PoE         | -40 to 70°C     | -                 |
| VPort P06-2M42M      | 4.2 mm | Microphone      | microSD slot, SDXC interface | PoE         | -25 to 55°C     | -                 |

| Model Name           | Lens   | Audio Interface | Local Storage                | Power Input | Operating Temp. | Conformal Coating |
|----------------------|--------|-----------------|------------------------------|-------------|-----------------|-------------------|
| VPort P06-2M42M-T    | 4.2 mm | Microphone      | microSD slot, SDXC interface | PoE         | -40 to 70°C     | -                 |
| VPort P06-2L42M-CT   | 4.2 mm | Line-in         | microSD slot, SDXC interface | PoE         | -25 to 55°C     | ✓                 |
| VPort P06-2L42M-CT-T | 4.2 mm | Line-in         | microSD slot, SDXC interface | PoE         | -40 to 70°C     | ✓                 |
| VPort P06-2M42M-CT   | 4.2 mm | Microphone      | microSD slot, SDXC interface | PoE         | -25 to 55°C     | ✓                 |
| VPort P06-2M42M-CT-T | 4.2 mm | Microphone      | microSD slot, SDXC interface | PoE         | -40 to 70°C     | ✓                 |
| VPort 06-2L42M       | 4.2 mm | Line-in         | microSD slot, SDXC interface | 12/24 VDC   | -25 to 55°C     | -                 |
| VPort 06-2L42M-T     | 4.2 mm | Line-in         | microSD slot, SDXC interface | 12/24 VDC   | -40 to 70°C     | -                 |
| VPort 06-2M42M       | 4.2 mm | Microphone      | microSD slot, SDXC interface | 12/24 VDC   | -25 to 55°C     | -                 |
| VPort 06-2M42M-T     | 4.2 mm | Microphone      | microSD slot, SDXC interface | 12/24 VDC   | -40 to 70°C     | -                 |
| VPort 06-2L42M-CT    | 4.2 mm | Line-in         | microSD slot, SDXC interface | 12/24 VDC   | -25 to 55°C     | ✓                 |
| VPort 06-2L42M-CT-T  | 4.2 mm | Line-in         | microSD slot, SDXC interface | 12/24 VDC   | -40 to 70°C     | ✓                 |
| VPort 06-2M42M-CT    | 4.2 mm | Microphone      | microSD slot, SDXC interface | 12/24 VDC   | -25 to 55°C     | ✓                 |
| VPort 06-2M42M-CT-T  | 4.2 mm | Microphone      | microSD slot, SDXC interface | 12/24 VDC   | -40 to 70°C     | ✓                 |
| VPort P06-2L60M      | 6.0 mm | Line-in         | microSD slot, SDXC interface | PoE         | -25 to 55°C     | -                 |
| VPort P06-2L60M-T    | 6.0 mm | Line-in         | microSD slot, SDXC interface | PoE         | -40 to 70°C     | -                 |
| VPort P06-2M60M      | 6.0 mm | Microphone      | microSD slot, SDXC interface | PoE         | -25 to 55°C     | -                 |
| VPort P06-2M60M-T    | 6.0 mm | Microphone      | microSD slot, SDXC interface | PoE         | -40 to 70°C     | -                 |
| VPort P06-2L60M-CT   | 6.0 mm | Line-in         | microSD slot, SDXC interface | PoE         | -25 to 55°C     | ✓                 |
| VPort P06-2L60M-CT-T | 6.0 mm | Line-in         | microSD slot, SDXC interface | PoE         | -40 to 70°C     | ✓                 |
| VPort P06-2M60M-CT   | 6.0 mm | Microphone      | microSD slot, SDXC interface | PoE         | -25 to 55°C     | ✓                 |
| VPort P06-2M60M-CT-T | 6.0 mm | Microphone      | microSD slot, SDXC interface | PoE         | -40 to 70°C     | ✓                 |
| VPort 06-2L60M       | 6.0 mm | Line-in         | microSD slot, SDXC interface | 12/24 VDC   | -25 to 55°C     | -                 |
| VPort 06-2L60M-T     | 6.0 mm | Line-in         | microSD slot, SDXC interface | 12/24 VDC   | -40 to 70°C     | -                 |
| VPort 06-2M60M       | 6.0 mm | Microphone      | microSD slot, SDXC interface | 12/24 VDC   | -25 to 55°C     | -                 |
| VPort 06-2M60M-T     | 6.0 mm | Microphone      | microSD slot, SDXC interface | 12/24 VDC   | -40 to 70°C     | -                 |
| VPort 06-2L60M-CT    | 6.0 mm | Line-in         | microSD slot, SDXC interface | 12/24 VDC   | -25 to 55°C     | ✓                 |

| Model Name           | Lens   | Audio Interface | Local Storage                | Power Input | Operating Temp. | Conformal Coating |
|----------------------|--------|-----------------|------------------------------|-------------|-----------------|-------------------|
| VPort 06-2L60M-CT-T  | 6.0 mm | Line-in         | microSD slot, SDXC interface | 12/24 VDC   | -40 to 70°C     | ✓                 |
| VPort 06-2M60M-CT    | 6.0 mm | Microphone      | microSD slot, SDXC interface | 12/24 VDC   | -25 to 55°C     | ✓                 |
| VPort 06-2M60M-CT-T  | 6.0 mm | Microphone      | microSD slot, SDXC interface | 12/24 VDC   | -40 to 70°C     | ✓                 |
| VPort P06-2L80M      | 8.0 mm | Line-in         | microSD slot, SDXC interface | PoE         | -25 to 55°C     | -                 |
| VPort P06-2L80M-T    | 8.0 mm | Line-in         | microSD slot, SDXC interface | PoE         | -40 to 70°C     | -                 |
| VPort P06-2M80M      | 8.0 mm | Microphone      | microSD slot, SDXC interface | PoE         | -25 to 55°C     | -                 |
| VPort P06-2M80M-T    | 8.0 mm | Microphone      | microSD slot, SDXC interface | PoE         | -40 to 70°C     | -                 |
| VPort P06-2L80M-CT   | 8.0 mm | Line-in         | microSD slot, SDXC interface | PoE         | -25 to 55°C     | ✓                 |
| VPort P06-2L80M-CT-T | 8.0 mm | Line-in         | microSD slot, SDXC interface | PoE         | -40 to 70°C     | ✓                 |
| VPort P06-2M80M-CT   | 8.0 mm | Microphone      | microSD slot, SDXC interface | PoE         | -25 to 55°C     | ✓                 |
| VPort P06-2M80M-CT-T | 8.0 mm | Microphone      | microSD slot, SDXC interface | PoE         | -40 to 70°C     | ✓                 |
| VPort 06-2L80M       | 8.0 mm | Line-in         | microSD slot, SDXC interface | 12/24 VDC   | -25 to 55°C     | -                 |
| VPort 06-2L80M-T     | 8.0 mm | Line-in         | microSD slot, SDXC interface | 12/24 VDC   | -40 to 70°C     | -                 |
| VPort 06-2M80M       | 8.0 mm | Microphone      | microSD slot, SDXC interface | 12/24 VDC   | -25 to 55°C     | -                 |
| VPort 06-2M80M-T     | 8.0 mm | Microphone      | microSD slot, SDXC interface | 12/24 VDC   | -40 to 70°C     | -                 |
| VPort 06-2L80M-CT    | 8.0 mm | Line-in         | microSD slot, SDXC interface | 12/24 VDC   | -25 to 55°C     | ✓                 |
| VPort 06-2L80M-CT-T  | 8.0 mm | Line-in         | microSD slot, SDXC interface | 12/24 VDC   | -40 to 70°C     | ✓                 |
| VPort 06-2M80M-CT    | 8.0 mm | Microphone      | microSD slot, SDXC interface | 12/24 VDC   | -25 to 55°C     | ✓                 |
| VPort 06-2M80M-CT-T  | 8.0 mm | Microphone      | microSD slot, SDXC interface | 12/24 VDC   | -40 to 70°C     | ✓                 |

## Accessories (sold separately)

### Camera Mounting Kits

|           |   |
|-----------|---|
| VP-SCO2   | Side-cable-out adaptor for mounting the VPort 06  |
| VP-FP2    | Fixed plate for mounting the VPort 06   |
| VP-06TC2C | Top cover for the VPort 06-2L, coating dome cover<br><br>Applicable Models:<br>VPort 06-2L25M<br>VPort 06-2L25M-T<br>VPort 06-2L25M-CT<br>VPort 06-2L25M-CT-T<br>VPort 06-2L36M<br>VPort 06-2L36M-T<br>VPort 06-2L36M-CT<br>VPort 06-2L36M-CT-T |



|            |  |
|------------|--|
|            | <p> VPor 06-2L42M<br/> VPor 06-2L42M-T<br/> VPor 06-2L42M-CT<br/> VPor 06-2L42M-CT-T<br/> VPor 06-2L60M<br/> VPor 06-2L60M-T<br/> VPor 06-2L60M-CT<br/> VPor P06-2L25M<br/> VPor P06-2L25M-T<br/> VPor P06-2L25M-CT<br/> VPor P06-2L25M-CT-T<br/> VPor P06-2L36M<br/> VPor P06-2L36M-T<br/> VPor P06-2L36M-CT<br/> VPor P06-2L36M-CT-T<br/> VPor P06-2L42M<br/> VPor P06-2L42M-T<br/> VPor P06-2L42M-CT<br/> VPor P06-2L42M-CT-T<br/> VPor P06-2L60M<br/> VPor P06-2L60M-T<br/> VPor P06-2L60M-CT<br/> VPor P06-2L60M-CT-T<br/> VPor P06-2L80M<br/> VPor P06-2L80M-T<br/> VPor P06-2L80M-CT<br/> VPor P06-2L80M-CT-T </p>  |
| VP-06MTC2C | <p>Top cover for the VPort 06-2M, coating dome cover</p> <p>Applicable Models:</p> <p> VPor 06-2M25M<br/> VPor 06-2M25M-T<br/> VPor 06-2M25M-CT<br/> VPor 06-2M25M-CT-T<br/> VPor 06-2M36M<br/> VPor 06-2M36M-T<br/> VPor 06-2M36M-CT<br/> VPor 06-2M36M-CT-T<br/> VPor 06-2M42M<br/> VPor 06-2M42M-T<br/> VPor 06-2M42M-CT<br/> VPor 06-2M42M-CT-T<br/> VPor 06-2M60M<br/> VPor 06-2M60M-T<br/> VPor 06-2M60M-CT<br/> VPor 06-2M60M-CT-T<br/> VPor 06-2M80M<br/> VPor 06-2M80M-T<br/> VPor 06-2M80M-CT<br/> VPor 06-2M80M-CT-T<br/> VPor P06-2M25M<br/> VPor P06-2M25M-T<br/> VPor P06-2M25M-CT<br/> VPor P06-2M25M-CT-T<br/> VPor P06-2M36M<br/> VPor P06-2M36M-T<br/> VPor P06-2M36M-CT<br/> VPor P06-2M36M-CT-T<br/> VPor P06-2M42M<br/> VPor P06-2M42M-T<br/> VPor P06-2M42M-CT<br/> VPor P06-2M42M-CT-T<br/> VPor P06-2M60M<br/> VPor P06-2M60M-T<br/> VPor P06-2M60M-CT<br/> VPor P06-2M60M-CT-T<br/> VPor P06-2M80M<br/> VPor P06-2M80M-T<br/> VPor P06-2M80M-CT<br/> VPor P06-2M80M-CT-T </p> |
| VP-DP01    | 0.6 g x 2 dry pack with sticker  |

© Moxa Inc. All rights reserved. Updated Dec 31, 2019.

This document and any portion thereof may not be reproduced or used in any manner whatsoever without the express written permission of Moxa Inc. Product specifications subject to change without notice. Visit our website for the most up-to-date product information.