

A-TRM Series

Terminating resistor



Features and Benefits

- Available in N-type or RP-SMA options

Introduction

The A-TRM Series is a set of 50 ohms terminating resistors available with an N-type (male) or RP-SMA (male) connector.

Specifications

Physical Characteristics

Frequency	A-TRM-50-NM: 0 to 6 GHz A-TRM-50-RM: 0 to 8 GHz
Connector Type	A-TRM-50-NM: N-type (Male) A-TRM-50-RM: RP-SMA (Male)
V.S.W.R.	1.25
Impedance	50 ohms
Return Loss	28 dB @ 3 GHz

Warranty

Warranty Period	1 year
Details	See www.moxa.com/warranty

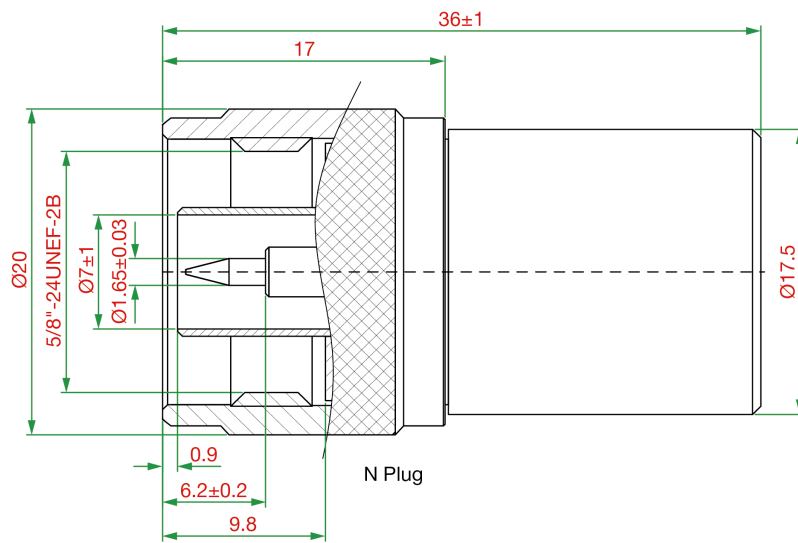
Package Contents

Device	1 x A-TRM Series terminating resistor
--------	---------------------------------------

Dimensions

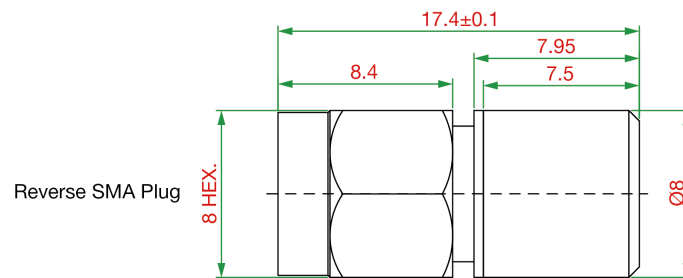
A-TRM-50-NM

Unit: mm



A-TRM-50-RM

Unit: mm



Ordering Information

Model Name	Impedance	Connector Type
A-TRM-50-NM	50 ohms	N-type (male)
A-TRM-50-RM	50 ohms	RP-SMA (male)

© Moxa Inc. All rights reserved. Updated Dec 13, 2019.

This document and any portion thereof may not be reproduced or used in any manner whatsoever without the express written permission of Moxa Inc. Product specifications subject to change without notice. Visit our website for the most up-to-date product information.