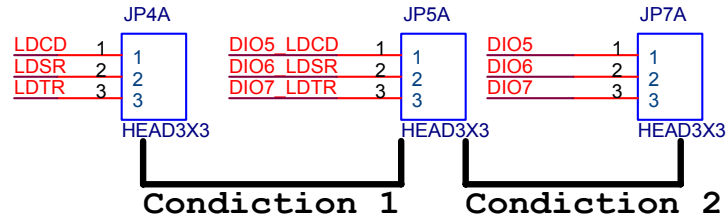
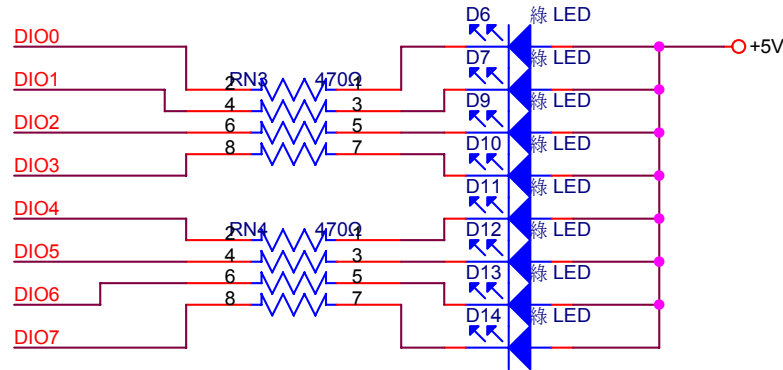


DIO Port setting



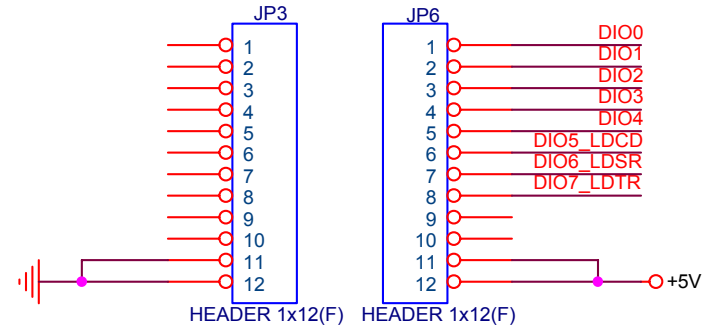
Condition 1

Condition 2

Shorting Condition 1: DCD DSR DTR

Shorting Condition 2: DIO5 DIO6 DIO7

Connection Header (F)

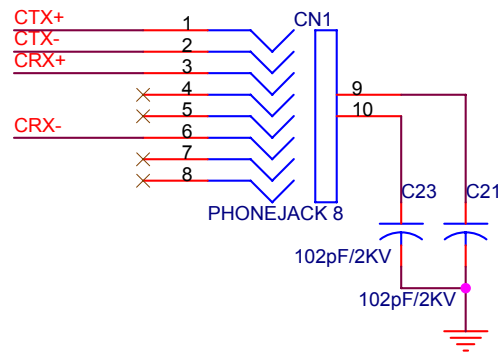


The Header is used fixing the NE-4000T and communication

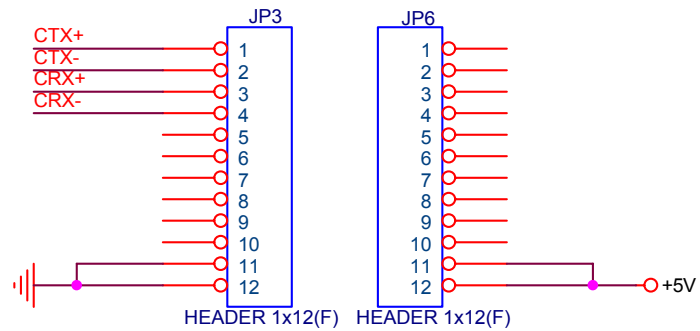
MOXA HWDC

Title		
For NE-4000T		
Size	Document Number	Rev
A	DIO	1.0
Date:	星期四, 五月 13, 2004	Sheet 1 of 1

EtherNet Port



Connection Header (F)

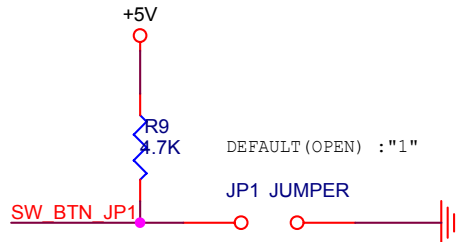


The Header is used fixing the NE-4000T and communication

MOXA HWDC

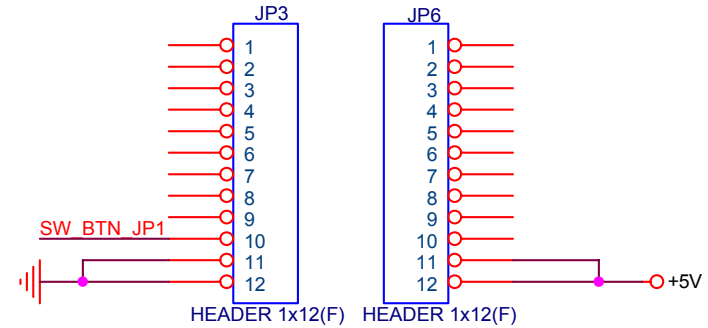
Title		
For NE-4000T		
Size	Document Number	Rev
A	EtherNet	1.0
Date:	星期四, 五月 20, 2004	Sheet 1 of 1

Selecting ISP mode or not



When shorting JP1 and then supply power will enter ISP mode

Connection Header (F)

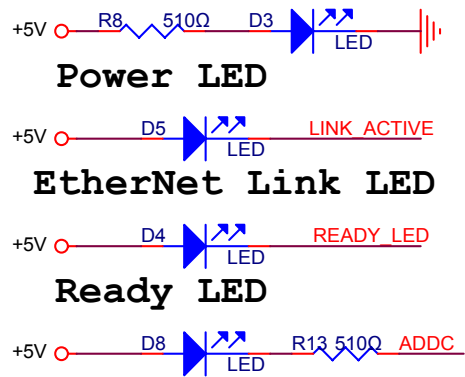


The Header is used fixing the NE-4000T and communication

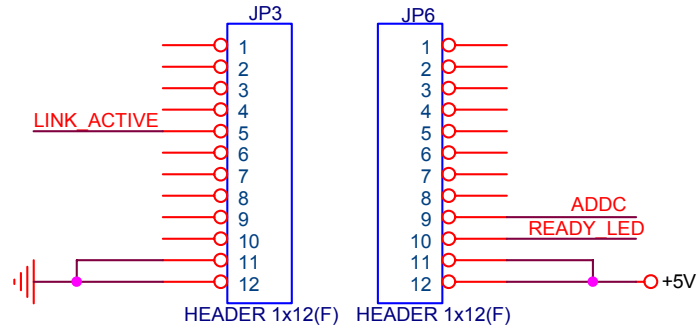
MOXA HWDC

Title		
For NE-4000T		
Size	Document Number	Rev
A	ISP mode Setting	1.0
Date:	星期四, 五月 20, 2004	Sheet 1 of 1

LED indicate



Connection Header (F)

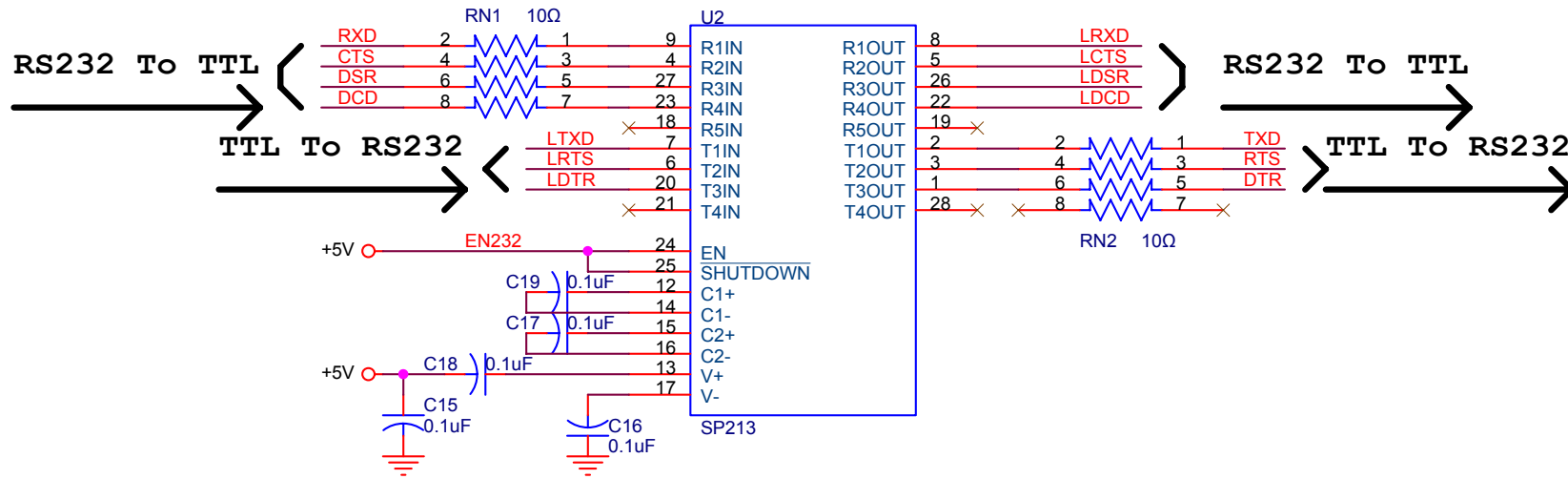


The Header is used fixing the NE-4000T and communication

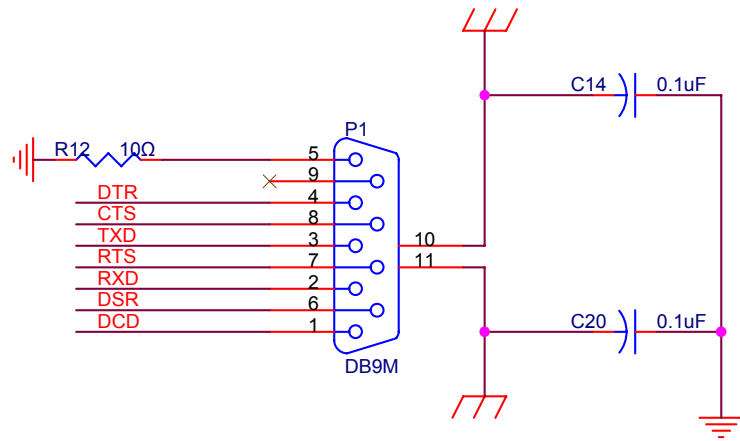
MOXA HWDC

Title		
For NE-4000T		
Size	Document Number	Rev
A	LED indicate	1.0
Date:	星期四, 五月 20, 2004	Sheet 1 of 1

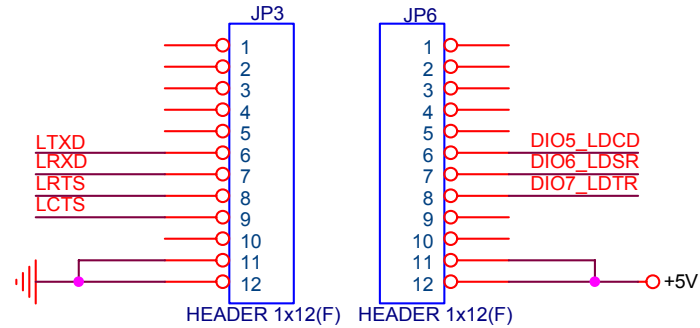
RS232 Line Driver



RS232 Connector



Connection Header (F)

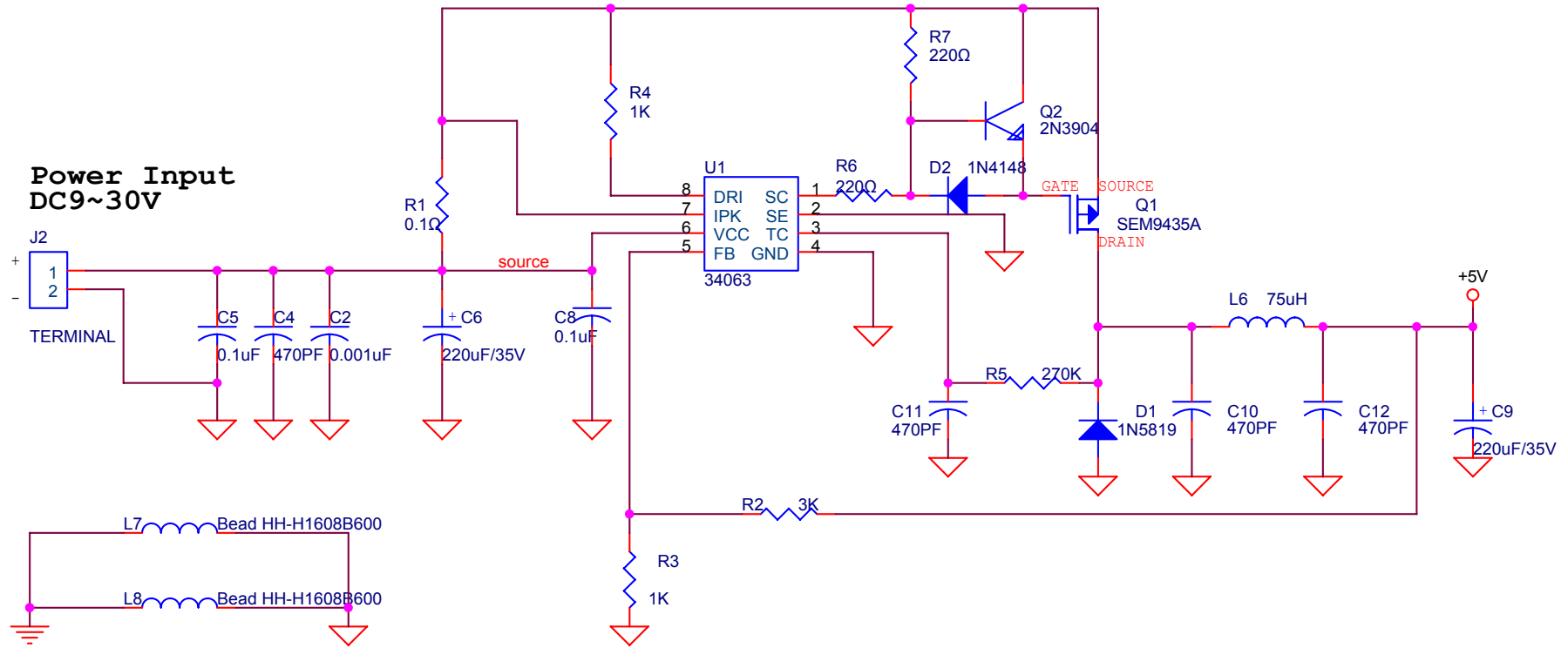


The Header is used fixing the NE-4000T and communication

MOXA HWDC

Title		
For NE-4000T		
Size	Document Number	Rev
A	Line Driver & Connector	1.0
Date:	星期四, 五月 20, 2004	Sheet 1 of 1

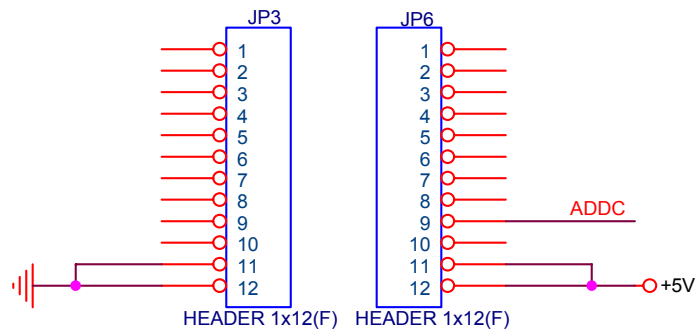
The switching regulator is for NE-4000T system power



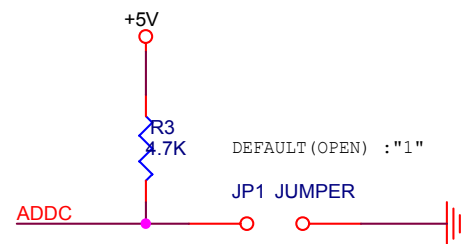
MOXA HWDC

Title		
For NE-4000T		
Size	Document Number	Rev
A	Power Circuit	1.0
Date:	星期四, 7月 20, 2004	Sheet 1 1 of 1

Connection Header (F)



The Header is used fixing the NE-4000T and communication

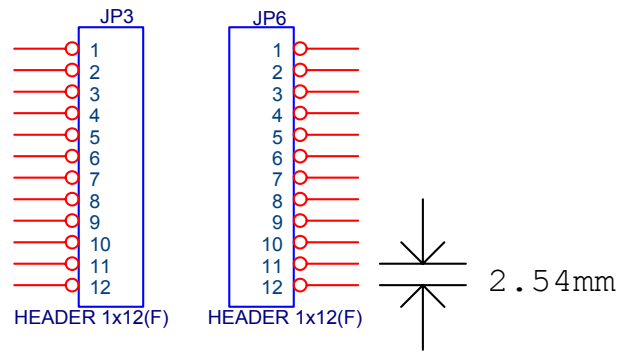


Shorting this jumper to Serial Command Mode



MOXA HWDC

Title		
For NE-4000T		
Size	Document Number	Rev
A	Serial Command Mode	1.0
Date:	星期四, 五月 20, 2004	Sheet 1 of 1



MOXA HWDC		
Title For NE-4000T		
Size A	Document Number DIO	Rev 1.0
Date: 星期四, 五月 20, 2004	2	Sheet 1 of 1