

AWK-1100 Series

Industrial IEEE 802.11g/b wireless Access Point/Bridge/AP Client



- > IEEE 802.11g/b compliant
- > Power input by redundant 24 VDC power inputs or Power-over-Ethernet
- > Powerful security with WPA/802.1X/MAC address filtering
- > DIN-Rail or panel mounting ability
- > IP30 protected high-strength metal housing



The certification logos shown here apply to some or all of the products in this section. Please see the **Specifications** section or Moxa's website for details.

Introduction

Are your industrial applications hard to wire, or are your wiring costs out of control? Are you already using mobile equipment that connects over a TCP/IP network? If so, then the AWK-1100 Access Point/Bridge/AP Client could be what you're looking for. The AWK-1100 is rated to operate at temperatures ranging from 0 to 60°C and is rugged enough for any harsh industrial environment. Installation is easy, with either DIN-Rail mounting or distribution boxes. The DIN-Rail mounting ability, wide operating temperature range, and IP30 housing with LED indicators make the AWK-1100 a convenient yet reliable solution for any industrial wireless application.

- 64-bit and 128-bit WEP (Wired Equivalent Privacy)
- Enable/disable SSID broadcasts
- MAC-address-based access control
- IEEE 802.1X/RADIUS
- WPA (Wi-Fi Protected Access)

Useful Utilities and Remote Configuration

- Firmware upgrade from TFTP or HTTP
- Web-based Management
- Supports SNMP and UPnP
- Configuration backup and reset

Advanced Security Capability

Specifications

WLAN

Standards:

IEEE 802.11g/b for Wireless LAN
 IEEE 802.3u 10/100BaseT(X) for Ethernet LAN
 IEEE 802.3af for Power-over-Ethernet

Frequency Range:

2.4-2.4835 GHz, Direct Sequence Spread Spectrum (DSSS)

Data Rate & Modulation:

OFDM @ 54 Mbps, CCK @ 11/5.5 Mbps, DQPSK @ 2 Mbps, and DBSK @ 1 Mbps

Operating Channels:

USA: 1-11 (US)
 Europe: 1-13 (EU)
 Japan: 1-14 (JP)

Security:

64-bit and 128-bit WEP encryption, WPA (IEEE 802.1X/RADIUS and TKIP)

Data Rates:

1 Mbps, 2 Mbps, 5.5 Mbps, 6 Mbps, 9 Mbps, 11 Mbps, 12 Mbps, 18 Mbps, 24 Mbps, 36 Mbps, 48 Mbps, 54 Mbps

Transmit Power:

Typ. +18 dBm (+/- 1.5 dBm) @ 11 Mbps, +14 dBm (+/- 1.5 dBm) @ 54 Mbps

RX Sensitivity:

802.11b:
 -81 dBm @ 11 Mbps, -85 dBm @ 5.5 Mbps, -86 dBm @ 2 Mbps, -87 dBm @ 1 Mbps
 802.11g:
 -68 dBm @ 54 Mbps, -70 dBm @ 48 Mbps, -74 dBm @ 36 Mbps, -78 dBm @ 24 Mbps, -81 dBm @ 18 Mbps, -84 dBm @ 12 Mbps, -85 dBm @ 9 Mbps, -86 dBm @ 6 Mbps

Software

Protocols: HTTP, DHCP, TCP/IP, RADIUS

Configuration: Web-based management

Client OS Support: Windows (95, 98, 2000, ME, NT, XP), Unix, Macintosh

Interface

Antenna: 2 dBi omni-directional antenna with an RP-SMA connector

RJ45 Port: 10/100BaseT(X) auto negotiation speed

LED Indicators: PWR1, PWR2, WLAN, LAN (Link/ACT)

Power Requirements

- Input Voltage:** 12 to 45 VDC, redundant dual DC power inputs or 48 VDC Power-over-Ethernet (IEEE802.3af)
- Power Consumption:** 0.3 A @ 24 V
- Overload Current Protection:** 1.6 A
- Connection:** Removable terminal block
- Reverse Polarity Protection:** Present

Physical Characteristics

- Housing:** metal, providing IP30 protection
- Dimensions:** 53.6 x 135 x 105 mm (2.11 x 5.31 x 4.13 in.)
- Weight:** 800 g
- Installation:** DIN-Rail mounting, wall mounting (optional kit)

Environmental Limits

- Operating Temperature:** 0 to 60°C (32 to 140°F)
- Storage Temperature:** -20 to 70°C (-4 to 158°F)
- Ambient Relative Humidity:** 5% to 95% (non-condensing)

Regulatory Approvals

- Safety:** EN60950-1, UL60950-1
- Hazardous location:** UL/cUL Class I, Division 2, Groups A, B, C, and D; ATEX Class I, Zone 2, EEx nC IIC (Pending)
- Radio:** EN300 328
- EMC:** EN301 489-1/-17
- EMI:** FCC Part 15C

*Please check Moxa's website for the most up-to-date certification status.

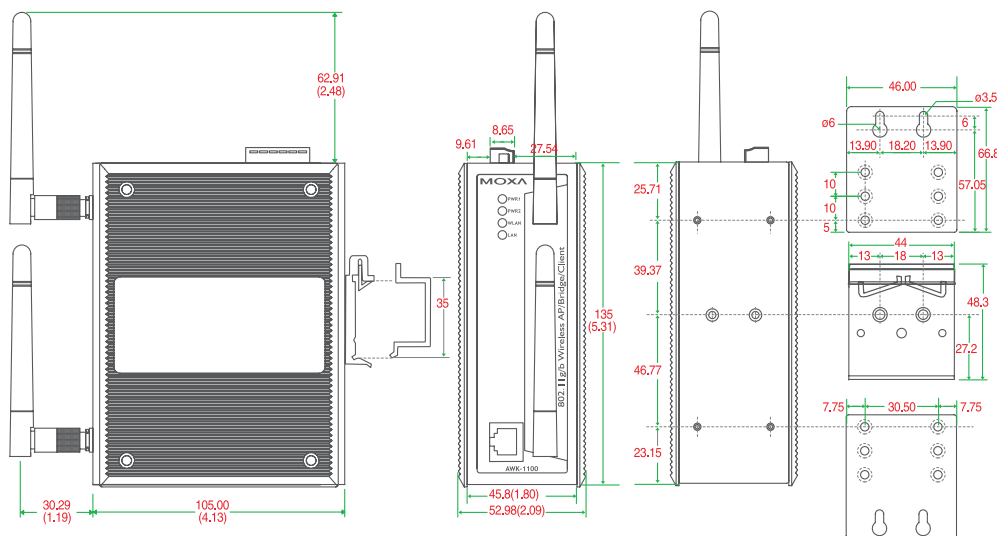
Reliability

- MTBF:** 200,000 hrs
- database: MIL-HDBK-217F, GB 25°C

Warranty

- Warranty Period:** 5 years
- Details:** See www.moxa.com/warranty

Dimensions



Ordering Information

Available Models

- AWK-1100-US:** IEEE 802.11g/b wireless AP/Bridge/AP Client, US band, 0 to 60°C
- AWK-1100-EU:** IEEE 802.11g/b wireless AP/Bridge/AP Client, Euro band, 0 to 60°C
- AWK-1100-JP:** IEEE 802.11g/b wireless AP/Bridge/AP Client, Japan band, 0 to 60°C

Optional Accessories (can be purchased separately)

- DR-4524:** 45W/2A DIN-Rail 24 VDC power supply with universal 85 to 264 VAC input
- DR-75-24:** 75W/3.2A DIN-Rail 24 VDC power supply with universal 85 to 264 VAC input
- DR-120-24:** 120W/5A DIN-Rail 24 VDC power supply with 88 to 132 VAC/176 to 264 VAC input by switch
- WK-46:** Wall mounting kit
- RK-4U:** 4U-high 19" rack mounting kit