

# Moxa Managed Ethernet Switch Redundancy Protocol (UI 2.0) User's Manual

---

**Edition 4.1, April 2018**

[www.moxa.com/product](http://www.moxa.com/product)

**Models covered by this manual:**

EDS-528E, EDS-518E, EDS-510E, EDS-G508E, EDS-G512E, EDS-G512E-8PoE, EDS-G516E, IKS-6726A, IKS-6728A, IKS-6728A-8PoE, IKS-G6524A, IKS-G6824A, ICS-G7526A, ICS-G7826A, ICS-G7528A, ICS-G7828A, ICS-G7748A, ICS-G7848A, ICS-G7750A, ICS-G7850A, ICS-G7752A, ICS-G7852A Series



© 2018 Moxa Inc. All rights reserved.

# Moxa Managed Ethernet Switch Redundancy Protocol (UI 2.0) User's Manual

The software described in this manual is furnished under a license agreement and may be used only in accordance with the terms of that agreement.

## Copyright Notice

© 2018 Moxa Inc. All rights reserved.

## Trademarks

The MOXA logo is a registered trademark of Moxa Inc.  
All other trademarks or registered marks in this manual belong to their respective manufacturers.

## Disclaimer

Information in this document is subject to change without notice and does not represent a commitment on the part of Moxa.

Moxa provides this document as is, without warranty of any kind, either expressed or implied, including, but not limited to, its particular purpose. Moxa reserves the right to make improvements and/or changes to this manual, or to the products and/or the programs described in this manual, at any time.

Information provided in this manual is intended to be accurate and reliable. However, Moxa assumes no responsibility for its use, or for any infringements on the rights of third parties that may result from its use.

This product might include unintentional technical or typographical errors. Changes are periodically made to the information herein to correct such errors, and these changes are incorporated into new editions of the publication.

## Technical Support Contact Information

[www.moxa.com/support](http://www.moxa.com/support)

### **Moxa Americas**

Toll-free: 1-888-669-2872  
Tel: +1-714-528-6777  
Fax: +1-714-528-6778

### **Moxa Europe**

Tel: +49-89-3 70 03 99-0  
Fax: +49-89-3 70 03 99-99

### **Moxa India**

Tel: +91-80-4172-9088  
Fax: +91-80-4132-1045

### **Moxa China (Shanghai office)**

Toll-free: 800-820-5036  
Tel: +86-21-5258-9955  
Fax: +86-21-5258-5505

### **Moxa Asia-Pacific**

Tel: +886-2-8919-1230  
Fax: +886-2-8919-1231

# Table of Contents

<b>1. Introduction to Redundancy Protocol</b>	<b>1-1</b>
<b>2. Turbo Ring</b>	<b>2-1</b>
The Turbo Ring Concept	2-2
Setting up "Turbo Ring" or "Turbo Ring V2"	2-2
Determining the Redundant Path of a "Turbo Ring" Ring	2-2
Determining the Redundant Path of a "Turbo Ring V2" Ring	2-3
Ring Coupling Configuration	2-4
Dual-Ring Configuration (applies only to "Turbo Ring V2")	2-5
Dual-Homing Configuration (applies only to "Turbo Ring V2")	2-6
Configuring "Turbo Ring" and "Turbo Ring V2"	2-6
Configuring "Turbo Ring"	2-7
Configuring "Turbo Ring V2"	2-8
<b>3. Turbo Chain</b>	<b>3-1</b>
The Turbo Chain Concept	3-2
Setting Up Turbo Chain	3-2
Configuring "Turbo Chain"	3-2
Head Switch Configuration	3-3
Member Switch Configuration	3-3
Tail Switch Configuration	3-3
<b>4. STP/RSTP/MSTP</b>	<b>4-1</b>
The STP/RSTP/MSTP Concept	4-2
What is STP?	4-2
How STP Works	4-3
Differences between STP, RSTP, and MSTP	4-4
STP Example	4-5
Using STP on a Network with Multiple VLANs	4-6
Configuring STP/RSTP	4-6
Configuring MSTP	4-9
Configuration Limits of STP/RSTP	4-12
<b>5. V-ON</b>	<b>5-1</b>
The V-ON Concept	5-2
V-ON Topology	5-3
Overall Network Fast Recovery	5-3
Local Network Fast Recovery	5-4
Instructions for Setting Up V-ON	5-4

# Introduction to Redundancy Protocol

Setting up Redundancy Protocol on your network helps protect critical links against failure, protects against network loops, and keeps network downtime at a minimum.

Redundancy Protocol allows you to set up *redundant loops* in the network to provide a backup data transmission route in the event that a cable is inadvertently disconnected or damaged. This is a particularly important feature for industrial applications, since it could take several minutes to locate the disconnected or severed cable. For example, if the Moxa switch is used as a key communications component of a production line, several minutes of downtime could cause a big loss in production and revenue. The Moxa switch supports three different protocols to support this Redundancy Protocol function:

- **Turbo Ring** and **Turbo Ring V2**
- **Turbo Chain**
- **Rapid Spanning Tree** and **Spanning Tree Protocols** (IEEE 802.1W/802.1D-2004)

When configuring a redundant ring, all switches on the same ring must be configured to use the same redundancy protocol. You cannot mix the Turbo Ring, Turbo Ring V2, and STP/RSTP protocols on the same ring. The following table lists the key differences between the features of each protocol. Use this information to evaluate the benefits of each, and then determine which features are most suitable for your network.

	<b>Turbo Ring</b>	<b>Turbo Ring V2</b>	<b>Turbo Chain</b>	<b>STP</b>	<b>RSTP</b>
Topology	Ring	Ring	Chain	Ring, Mesh	Ring, Mesh
Fast Ethernet Recovery Time	< 300 ms	< 20 ms	< 20 ms	Up to 30 sec.	Up to 5 sec.
Gigabit Ethernet Recovery Time		< 50 ms	< 50 ms		

**NOTE** Most of Moxa's managed switches now support three proprietary Turbo Ring protocols:

1. **Turbo Ring** refers to the original version of Moxa's proprietary redundant ring protocol, which has a recovery time of under 300 ms.
2. **Turbo Ring V2** refers to the new generation Turbo Ring, which has a recovery time of under 20 ms for Fast Ethernet ports and under 50 ms for Gigabit Ethernet ports.
3. **Turbo Chain** is a new Moxa proprietary protocol with unlimited flexibility that allows you to construct any type of redundant network topology. The recovery time is under 20 ms for Fast Ethernet ports and under 50 ms for Gigabit Ethernet ports. To achieve a recovery time under 50 ms in a Gigabit Turbo Chain, we recommend using a Gigabit fiber port as Head port.

In this manual, we use the terminology **Turbo Ring** and **Turbo Ring V2** to differentiate between rings configured for one or the other of these protocols.

**Gigabit Ethernet Redundant Ring Capability (< 50 ms)**

Ethernet has become the default data communications medium for industrial automation applications. In fact, Ethernet is often used to integrate video, voice, and high-rate industrial application data transfers into one network. Moxa switches come equipped with a redundancy Gigabit Ethernet protocol called Gigabit Turbo Ring. With Gigabit Turbo Ring, if any segment of the network gets disconnected, your automation system will be back to normal in less than 300 ms (Turbo Ring) or 50 ms (Turbo Ring V2).



**NOTE** Port trunking and Turbo Ring, Turbo Ring V2, and Turbo Chain can be enabled simultaneously to form a backbone. Doing so will increase the bandwidth of the backbone, and also provide redundancy. For example, suppose that two physical ports, 1 and 2, are trunked to form trunk group Trk1, and then Trk1 is set as one Turbo Ring path. If port 1 gets disconnected, the remaining trunked port, port 2, will share the traffic. If ports 1 and 2 are both disconnected, then Turbo Ring will create a backup path within 300 ms.

**NOTE** Not all the firmware versions support port trunking with Turbo Ring V2 and Turbo Chain. Please check the firmware release note of each product to see what it supports.

The following topics are covered in this chapter:

□ **The Turbo Ring Concept**

□ **Setting up “Turbo Ring” or “Turbo Ring V2”**

- Determining the Redundant Path of a “Turbo Ring” Ring
- Determining the Redundant Path of a “Turbo Ring V2” Ring
- Ring Coupling Configuration
- Dual-Ring Configuration (applies only to “Turbo Ring V2”)
- Dual-Homing Configuration (applies only to “Turbo Ring V2”)

□ **Configuring “Turbo Ring” and “Turbo Ring V2”**

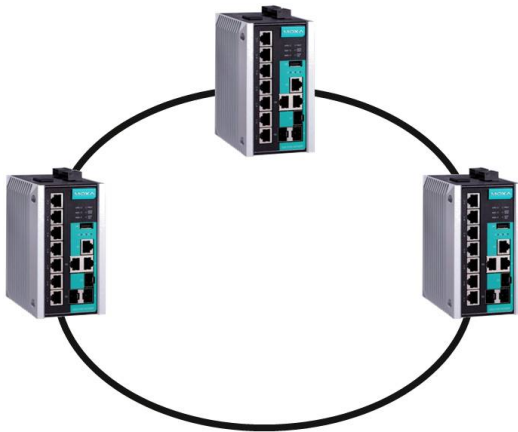
- Configuring “Turbo Ring”
- Configuring “Turbo Ring V2”

## The Turbo Ring Concept

Moxa developed the proprietary Turbo Ring protocol to optimize redundancy and achieve a faster recovery time on the network.

The Turbo Ring and Turbo Ring V2 protocols identify one switch as the **master** of the network, and then automatically block packets from traveling through any of the network's redundant loops. In the event that one branch of the ring gets disconnected from the rest of the network, the protocol automatically readjusts the ring so that the part of the network that was disconnected can reestablish contact with the rest of the network.

## Setting up "Turbo Ring" or "Turbo Ring V2"



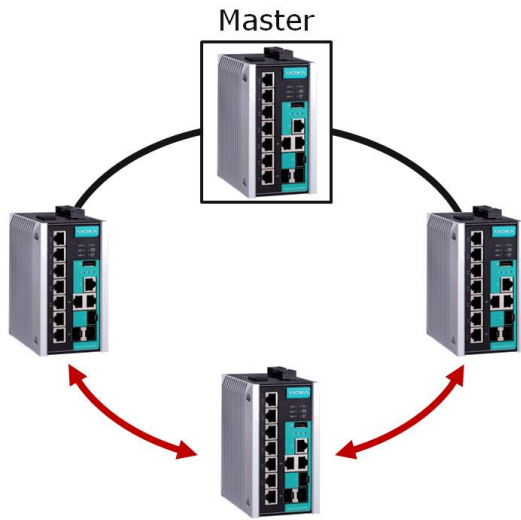
1. Select any two ports as redundant ports.
2. Connect the redundant ports to form the Turbo Ring.

The user does not need to configure any of the switches as the master to use Turbo Ring or Turbo Ring V2. If none of the switches in the ring is configured as the master, then the protocol will automatically assign master status to one of the switches. In fact, the master is only used to identify which segment in the redundant ring acts as the backup path. In the following subsections, we explain how the redundant path is selected for rings configured for Turbo Ring, and Turbo Ring V2.

## Determining the Redundant Path of a "Turbo Ring" Ring

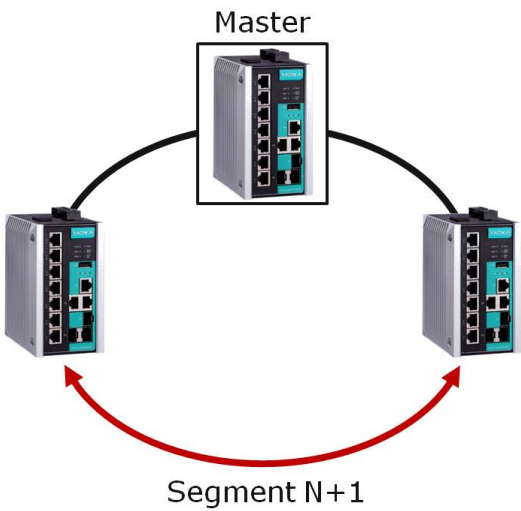
In this case, the redundant segment (i.e., the segment that will be blocked during normal operation) is determined by the number of switches in the ring, and where the ring master is located.

### When the Number of Switches in the Turbo Ring is Even



If there are  $2N$  switches (an even number) in the "Turbo Ring" ring, then the backup segment is one of the two segments connected to the  $(N+1)$ st switch (i.e., the switch directly opposite the master).

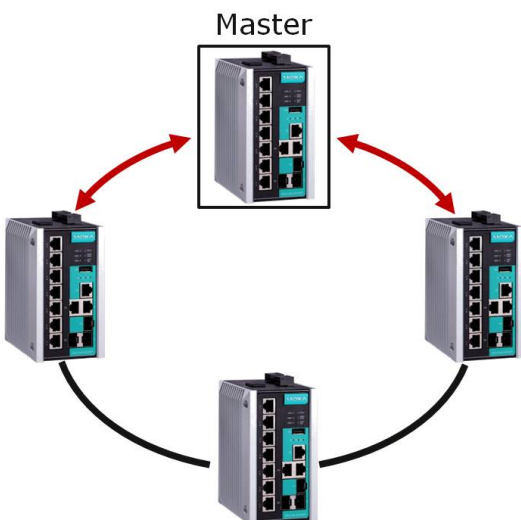
### When the Number of Switches in the Turbo Ring is Odd



If there are  $2N+1$  switches (an odd number) in the "Turbo Ring" ring, with switches and segments labeled counterclockwise, then segment  $N+1$  will serve as the backup path.

For the example shown here,  $N=1$ , so that  $N+1=2$ .

### Determining the Redundant Path of a "Turbo Ring V2" Ring



For a "Turbo Ring V2" ring, the backup segment is the segment connected to the 2nd redundant port on the master.

See Configuring "Turbo Ring V2" in the Configuring "Turbo Ring" and "Turbo Ring V2" section below.



## Ring Coupling Configuration

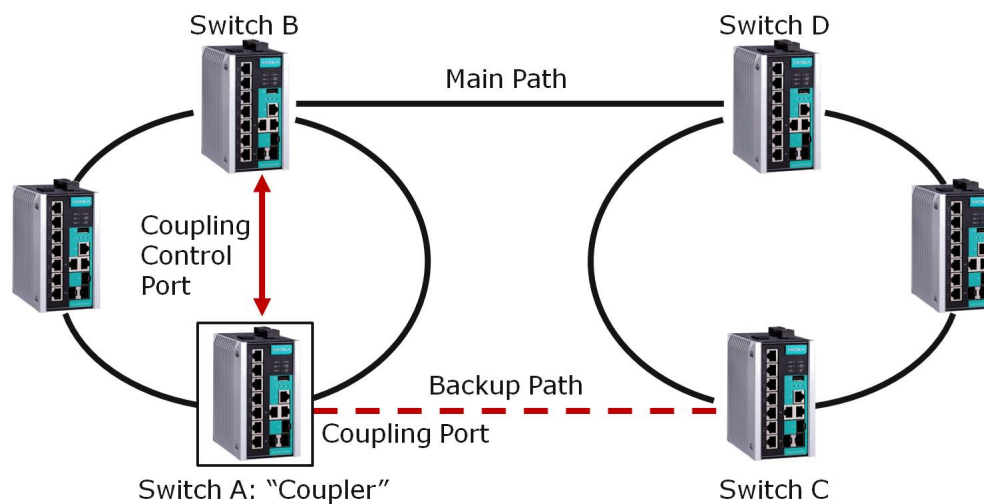
For some systems, it may not be convenient to connect all devices in the system to create one BIG redundant ring, since some devices could be located in a remote area. For these systems, **Ring Coupling** can be used to separate the devices into different smaller redundant rings, but in such a way that they can still communicate with each other.



### ATTENTION

In a VLAN environment, the user must set **Redundant Port**, **Coupling Port**, and **Coupling Control Port** to join all VLANs, since these ports act as the *backbone* to transmit all packets of different VLANs to different switches.

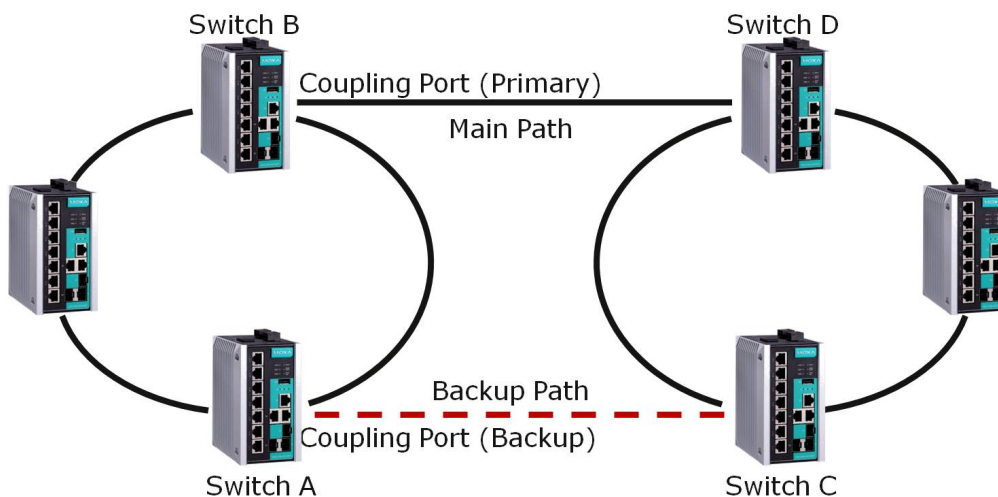
### Ring Coupling for a “Turbo Ring” Ring



To configure the Ring Coupling function for a “Turbo Ring” ring, select two switches (e.g., Switch A and B in the above figure) in the ring, and another two switches in the adjacent ring (e.g., Switch C and D). Decide which two ports in each switch are appropriate to be used as coupling ports, and then link them together. Next, assign one switch (e.g., Switch A) to be the **coupler** and connect the coupler’s coupling control port with Switch B (for this example).

The coupler switch (i.e., Switch A) will monitor Switch B through the coupling control port to determine whether or not the coupling port’s backup path should be recovered.

## Ring Coupling for a “Turbo Ring V2” Ring



Note that the ring coupling settings for a “Turbo Ring V2” ring are different from a “Turbo Ring” ring. For Turbo Ring V2, Ring Coupling is enabled by configuring the **Coupling Port (Primary)** on Switch B, and the **Coupling Port (Backup)** on Switch A only. You do not need to set up a coupling control port, so that a “Turbo Ring V2” ring does not use a coupling control line.

The **Coupling Port (Backup)** on Switch A is used for the backup path, and connects directly to an extra network port on Switch C. The **Coupling Port (Primary)** on Switch B monitors the status of the main path, and connects directly to an extra network port on Switch D. With ring coupling established, Switch A can activate the backup path as soon as it detects a problem with the main path.



### ATTENTION

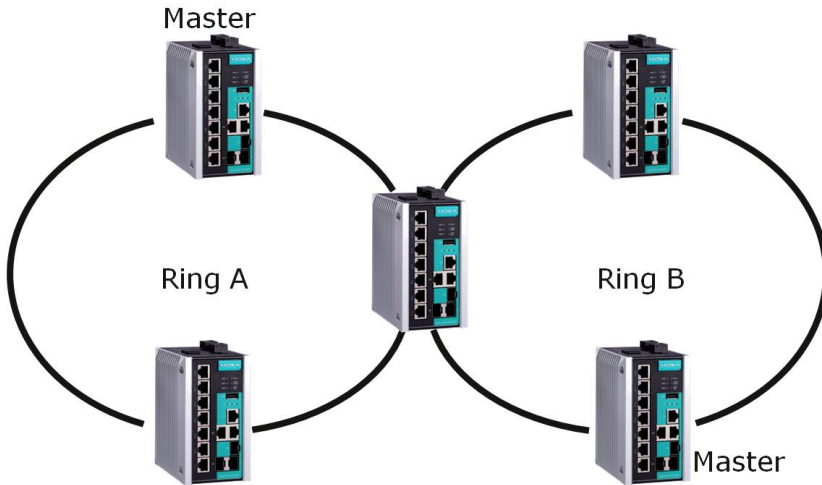
Ring Coupling only needs to be enabled on one of the switches serving as the Ring Coupler. The Coupler must designate different ports as the two Turbo Ring ports and the coupling port.

**NOTE** You do not need to use the same switch for both Ring Coupling and Ring Master.

## Dual-Ring Configuration (applies only to “Turbo Ring V2”)

The **dual-ring** option provides another ring coupling configuration, in which two adjacent rings share one switch. This type of configuration is ideal for applications that have inherent cabling difficulties.

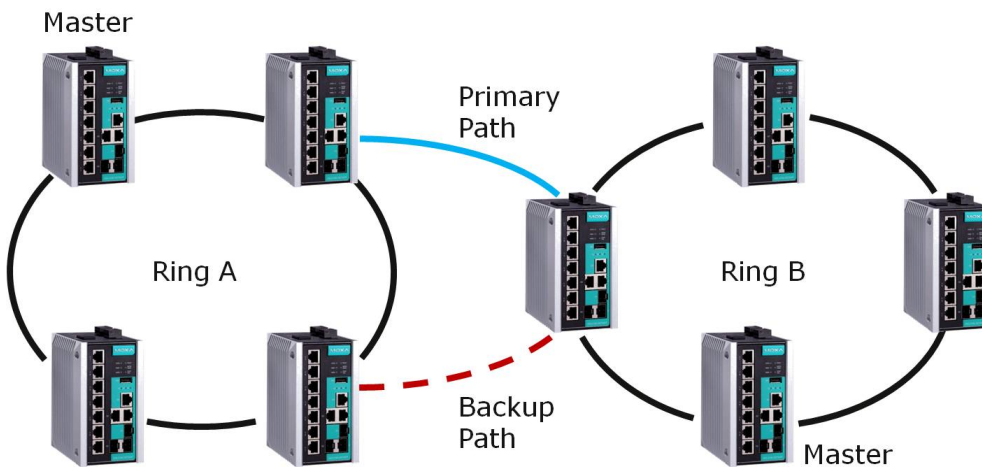
**Dual-Ring for a “Turbo Ring V2” Ring**



**Dual-Homing Configuration (applies only to “Turbo Ring V2”)**

The **dual-homing** option uses a single Ethernet switch to connect two networks. The primary path is the operating connection, and the backup path is a back-up connection that is activated in the event that the primary path connection fails.

**Dual-Homing for a “Turbo Ring V2” Ring**



**Configuring “Turbo Ring” and “Turbo Ring V2”**

Use the scrollbar at the top of the Redundancy Protocol page to select **Turbo Ring**, **Turbo Ring V2**, **Turbo Chain**, **RSTP**, or **MSTP**. Note that the configuration pages for these five protocols are different.

**Protocol**

Setting	Description	Factory Default
Turbo Ring	Select this item to change to the Turbo Ring configuration page.	None
Turbo Ring V2	Select this item to change to the Turbo Ring V2 configuration page.	
Turbo Chain	Select this item to change to the Turbo Chain configuration page.	

RSTP (IEEE 802.1D-2004)	Select this item to change to the RSTP configuration page.	
MSTP (IEEE 802.1s)	Select this item to change to the MSTP configuration page.	

## Configuring “Turbo Ring”

The following figure indicates which Turbo Ring parameters can be configured. A more detailed explanation of each parameter follows.

### • Redundant Protocol

Protocol

**Status**

Active Protocol **None**

	Role	Turbo Ring Status	1st Port Status	2nd Port Status
<b>Ring</b>	---	<b>Healthy</b>		

	Role	Coupling Port Status	Coupling Control Port Status
<b>Ring Coupling</b>	---		

**Settings**

Set as Master

Redundant Ports      1st Port       2nd Port

Ring Coupling

Enable

Coupling Port

Coupling Control Port

## Explanation of “Status” Items

### Active Protocol

Shows which redundancy protocol is in use: **Turbo Ring**, **Turbo Ring V2**, **Turbo Chain**, **RSTP**, **MSTP** or **None**.

### Ring: Role

Indicates whether or not this switch is the **Master** or **Slave** of the Turbo Ring.

**NOTE** The user does not need to set the master to use Turbo Ring. If master is not set, the Turbo Ring protocol will assign master status to one of the switches in the ring. The master is only used to determine which segment serves as the backup path.

### Ring: Turbo Ring Status

Shows **Healthy** if the ring is operating normally, and shows **Break** if the ring’s backup link is active.

### Ring: 1st Port Status / Ring: 2nd Port Status

The “Ports Status” indicators show **Forwarding** for normal transmission, **Blocking** if this port is connected to a backup path and the path is blocked, and **Link down** if there is no connection.

### Ring Coupling: Role

Indicates whether or not this switch is assigned as coupler.

**Ring Coupling: Coupling Port Status**

**Ring Coupling: Coupling Control Port Status**

The "Ports Status" indicators show **Forwarding** for normal transmission, **Blocking** if this port is connected to a backup path and the path is blocked, and **Link down** if there is no connection.

**Explanation of "Settings" Items**

**Set as Master**

Setting	Description	Factory Default
Enabled	Select this switch as Master	Not checked
Disabled	Do not select this switch as Master	

**Redundant Ports**

Setting	Description	Factory Default
1st Port	Select any port of the switch to be one of the redundant ports.	Port G2
2nd Port	Select any port of the switch to be one of the redundant ports.	Port G3

**Ring Coupling: Enable**

Setting	Description	Factory Default
Enable	Select this switch as Coupler	Not checked
Disable	Do not select this switch as Coupler	

**Ring Coupling: Coupling Port**

Setting	Description	Factory Default
Coupling Port	Select any port of this switch to be the coupling port	Port G1

**Ring Coupling: Coupling Control Port**

Setting	Description	Factory Default
Coupling Control Port	Select any port of this switch to be the coupling control port	Port 7

**Configuring "Turbo Ring V2"**

The following figure indicates which Turbo Ring V2 parameters can be configured. A more detailed explanation of each parameter follows.

## Redundant Protocol

Protocol Turbo Ring V2

### Status

Active Protocol None

	Role	Turbo Ring Status	1st Port Status	2nd Port Status
Ring 1	--	--	--	--
Ring 2	--	--	--	--
	Role	Primary Port	Backup Port Status	
Ring Coupling	--	--	--	

### Settings

Ring 1

Ring 2

Set as Master

Set as Master

Redundant Ports      1st Port G2      2nd Port G3

Redundant Ports      1st Port G1      2nd Port 7

Ring Coupling

Enable

Coupling Mode Dual Homing

Primary Port 1

Backup Port 2

Apply

**NOTE** When using the Dual-Ring architecture, you must configure settings for both Ring 1 and Ring 2. In this case, the status of both rings will appear under "Status."

## Explanation of "Status" Items

### Active Protocol

Shows which redundancy protocol is in use: **Turbo Ring**, **Turbo Ring V2**, **Turbo Chain**, **RSTP**, **MSTP** or **None**.

### Ring 1/2: Role

Indicates whether or not this switch is the **Master** or **Slave** of the Turbo Ring. (When using the Dual-Ring architecture and this switch is selected to operate on both rings, you must configure settings for both Ring 1 and Ring 2 at this switch. In this case, the status of both rings will appear under "Status.")

**NOTE** The user does not need to set the master to use Turbo Ring. If master is not set, the Turbo Ring protocol will assign master status to one of the switches in the ring. The master is only used to determine which segment serves as the backup path.

### Ring 1/2: Turbo Ring Status

Shows **Healthy** if the ring is operating normally, and shows **Break** if the ring's backup link is active.

### Ring 1/2: 1st Port Status / Ring 1/2: 2nd Port Status

The "Ports Status" indicators show **Forwarding** for normal transmission, **Blocking** if this port is connected to a backup path and the path is blocked, and **Link down** if there is no connection.

### Ring Coupling: Role

Indicates **None**, **Dual Homing**, or **Ring Coupling**.

**Ring Coupling: Primary Port**

The "Primary Port" indicators show **Forwarding** for normal transmission, and **Link down** if there is no connection.

**Ring Coupling: Backup Port Status**

The "Backup Port Status" indicators show **Forwarding**, **Blocking**, or **Link down**.

## Explanation of "Settings" Items

**Ring 1**

Setting	Description	Factory Default
Enabled	Enable the Ring 1 settings	checked
Disabled	Disable the Ring 1 settings	

**Ring 2\***

Setting	Description	Factory Default
Enabled	Enable the Ring 2 settings	Not checked
Disabled	Disable the Ring 2 settings	

**NOTE** You should enable both Ring 1 and Ring 2 when the switch interconnects between Ring 1 and Ring 2 in the Dual-Ring architecture.

**Set as Master (Ring 1/2)**

Setting	Description	Factory Default
Enabled	Select this switch as Master	Not checked
Disabled	Do not select this switch as Master	

**Redundant Ports (Ring 1/2)**

Setting	Description	Factory Default
1st Port	Select any port of this switch to be one of the redundant ports.	Ring 1: G2 Ring 2: G1
2nd Port	Select any port of this switch to be one of the redundant ports.	Ring 1: G3 Ring 2: 7

**Ring Coupling: Enable**

Setting	Description	Factory Default
Enable	Select this switch as Coupler	Not checked
Disable	Do not select this switch as Coupler	

**Ring Coupling: Coupling Mode**

Setting	Description	Factory Default
Dual Homing	Select this item to change to the Dual Homing configuration page	Primary port: 1 Backup port: 2
Ring Coupling (backup)	Select this item to change to the Ring Coupling (backup) configuration page	Port 1
Ring Coupling (primary)	Select this item to change to the Ring Coupling (primary) configuration page	Port 1

**NOTE** The Turbo Ring DIP Switches located on the outer casing of the EDS E series switches can be used to configure switch Turbo Ring protocols (Turbo Ring or Turbo Ring V2).

If the **Turbo Ring DIP Switch** is enabled from any access interface (web-based UI, console, or Telnet), and the 4<sup>th</sup> DIP Switch on the switch outer casing is set to **ON**, the Redundancy Protocol will be set automatically to the Turbo Ring protocol based on the version configured in the **Turbo Ring DIP Switch** page, and the corresponding Redundant Ports, Coupling Ports, and Coupling Control Port will be fixed to the assigned factory default port number automatically. In this case, you will not be able to use the web-based UI, console, or Telnet interface to change the status of the DIP Switch and all settings in the Redundancy Protocol page will not be allowed to be configured, as shown in the following figure:

**Redundant Protocol**

Protocol Turbo Ring

**Status**

Active Protocol Turbo Ring

Ring	Role	Turbo Ring Status	1st Port Status	2nd Port Status
	Master	Break	Link down	Link down
Ring Coupling	Role	Coupling Port Status	Coupling Control Port Status	
	Disabled	---	---	

**Settings**

Set as Master

Redundant Ports

1st Port	<span style="border: 1px solid #ccc; padding: 2px;">G2</span>
2nd Port	<span style="border: 1px solid #ccc; padding: 2px;">G3</span>

Ring Coupling

Enable

Coupling Port G1

Coupling Control Port 7

Apply

In addition, those default Redundant Ports, Coupling Ports, and Coupling Control Port will be added automatically to all VLANs (i.e., to act as “Trunk Ports”) if you set the 4th DIP Switch to the “ON” position when the Turbo Ring DIP Switch is enabled. Once you flip the 4th DIP Switch back from **ON** to **OFF** when the Turbo Ring DIP Switch is enabled, such default Redundant Ports, Coupling Ports, and Coupling Control Port that were added to all VLANs will be restored to their previous software settings.

**NOTE** If you would like to enable VLAN and/or port trunking on any of the last four ports, do not use the fourth DIP switch to activate Turbo Ring. In this case, you should use the Web, Telnet, or Serial console to activate Turbo Ring.

**NOTE** Turbo Ring V2 or Turbo Chain is one function of V-ON technology that should be enabled in layer 2 and layer 3 switches. For a detailed introduction, please refer to Chapter 5, V-ON.



The following topics are covered in this chapter:

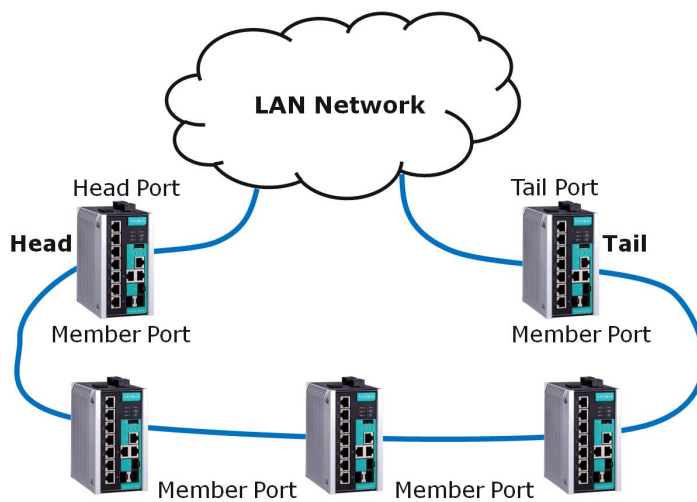
- ❑ **The Turbo Chain Concept**
- ❑ **Setting Up Turbo Chain**
- ❑ **Configuring “Turbo Chain”**
  - Head Switch Configuration
  - Member Switch Configuration
  - Tail Switch Configuration

# The Turbo Chain Concept

Moxa’s Turbo Chain is an advanced software technology that gives network administrators the flexibility of constructing any type of redundant network topology. When using the “chain” concept, you first connect the Ethernet switches in a chain and then simply link the two ends of the chain to an Ethernet network, as illustrated in the following figure.

Turbo Chain can be used on industrial networks that have a complex topology. If the industrial network uses a multi-ring architecture, Turbo Chain can be used to create flexible and scalable topologies with a fast media-recovery time.

## Setting Up Turbo Chain



1. Select the Head switch, Tail switch, and Member switches.
2. Configure one port as the Head port and one port as the Member port in the Head switch, configure one port as the Tail port and one port as the Member port in the Tail switch, and configure two ports as Member ports in each of the Member switches.
3. Connect the Head switch, Tail switch, and Member switches as shown in the above diagram.

The path connecting to the Head port is the main path, and the path connecting to the Tail port is the backup path of the Turbo Chain. Under normal conditions, packets are transmitted through the Head Port to the LAN network. If any Turbo Chain path is disconnected, the Tail Port will be activated so that packet transmission can continue.

## Configuring “Turbo Chain”

Use the scrollbar at the top of the Redundancy Protocol page to select **Turbo Ring**, **Turbo Ring V2**, **Turbo Chain**, **RSTP**, or **MSTP**. Note that the configuration pages for these five protocols are different.

**Protocol**

Setting	Description	Factory Default
Turbo Ring	Select this item to change to the Turbo Ring configuration page.	None
Turbo Ring V2	Select this item to change to the Turbo Ring V2 configuration page.	
Turbo Chain	Select this item to change to the Turbo Chain configuration page.	

RSTP (IEEE 802.1D-2004)	Select this item to change to the RSTP configuration page.	
MSTP (IEEE 802.1s)	Select this item to change to the MSTP configuration page.	

The following figures indicate which Turbo Chain parameters can be configured. A more detailed explanation of each parameter follows.

## Head Switch Configuration

### Redundant Protocol

Protocol

#### Status

Active Protocol Turbo Chain

Port	Port Role	Port Status
G2	Head Port	Link down
G3	Member Port	Link down

#### Settings

Role

Head Port

Member Port

Apply

## Member Switch Configuration

### Redundant Protocol

Protocol

#### Status

Active Protocol Turbo Chain

Port	Port Role	Port Status
G2	1st Member Port	Link down
G3	2nd Member Port	Link down

#### Settings

Role

1st Member Port

2nd Member Port

Apply

## Tail Switch Configuration

### Redundant Protocol

Protocol

#### Status

Active Protocol Turbo Chain

Port	Port Role	Port Status
G2	Tail Port	Link down
G3	Member Port	Link down

#### Settings

Role

Tail Port

Member Port

Apply

## Explanation of “Status” Items

### **Active Protocol**

Shows which redundancy protocol is in use: **Turbo Ring**, **Turbo Ring V2**, **Turbo Chain**, **RSTP**, **MSTP** or **None**.

### **Port**

Shows which ports have been assigned for redundancy protocol usage.

### **Port Role**

Shows the role that has been assigned to any specific redundancy port: Head, Member, or Tail.

### **Port Status**

The “Ports Status” indicators show **Forwarding** for normal transmission, **Blocked** if this port is connected to the Tail port as a backup path and the path is blocked, and **Link down** if there is no connection.

## Explanation of “Settings” Items

### **Role**

Setting	Description	Factory Default
Head	Select this switch as Head Switch	Member
Member	Select this switch as Member Switch	
Tail	Select this switch as Tail Switch	

### **Head Role**

Setting	Description	Factory Default
Head Port	Select any port of this switch to be the head port.	G2
Member Port	Select any port of this switch to be the member port.	G3

### **Member Role**

Setting	Description	Factory Default
1st Member port	Select any port of this switch to be the 1st member port	G2
2nd Member port	Select any port of this switch to be the 2nd member port	G3

### **Tail Role**

Setting	Description	Factory Default
Tail Port	Select any port of this switch to be the tail port.	G2
Member Port	Select any port of this switch to be the member port.	G3

**NOTE** Turbo Ring V2 or Turbo Chain is one function of V-ON technology that should be enabled in layer 2 and layer 3 switches. For a detailed introduction, please refer to Chapter 5, V-ON.

The following topics are covered in this chapter:

- ❑ **The STP/RSTP/MSTP Concept**
  - What is STP?
  - How STP Works
  - Differences between STP, RSTP, and MSTP
- ❑ **STP Example**
- ❑ **Using STP on a Network with Multiple VLANs**
- ❑ **Configuring STP/RSTP**
- ❑ **Configuring MSTP**
- ❑ **Configuration Limits of STP/RSTP**

# The STP/RSTP/MSTP Concept

Spanning Tree Protocol (STP) was designed to help reduce link failures on a network, and provide an automatic means of avoiding loops. This is particularly important for networks that have a complicated architecture, since unintended loops in the network can cause broadcast storms. Moxa switches' STP feature is disabled by default. To be completely effective, you must enable RSTP/STP on every Moxa switch connected to your network.

Rapid Spanning Tree Protocol (RSTP) implements the Spanning Tree Algorithm and Protocol defined by IEEE 802.1D-2004. RSTP provides the following benefits:

- The topology of a bridged network will be determined much more quickly compared to STP.
- RSTP is backwards compatible with STP, making it relatively easy to deploy. For example:
  - Defaults to sending 802.1D style BPDUs if packets with this format are received.
  - STP (802.1D) and RSTP (802.1w) can operate on different ports of the same switch, which is particularly helpful when switch ports connect to older equipment such as legacy switches.

You get essentially the same functionality with RSTP and STP. To see how the two systems differ, see the Differences between STP, RSTP, and MSTP section in this chapter.

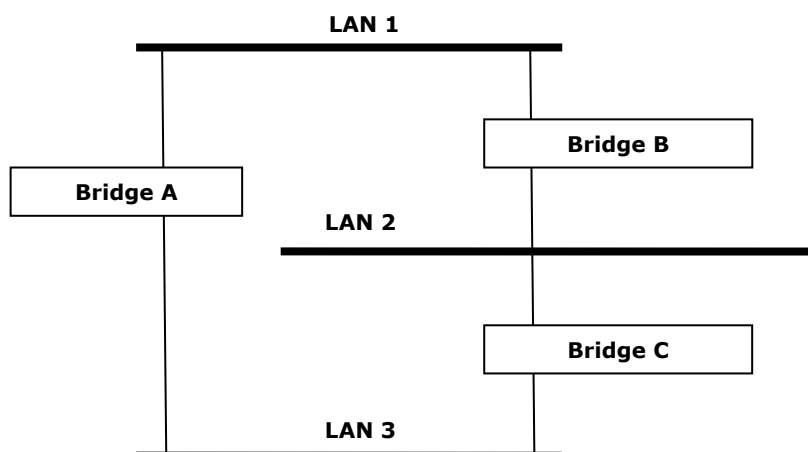
**NOTE** The STP protocol is part of the IEEE Std 802.1D, 2004 Edition bridge specification. The following explanation uses "bridge" instead of "switch."

## What is STP?

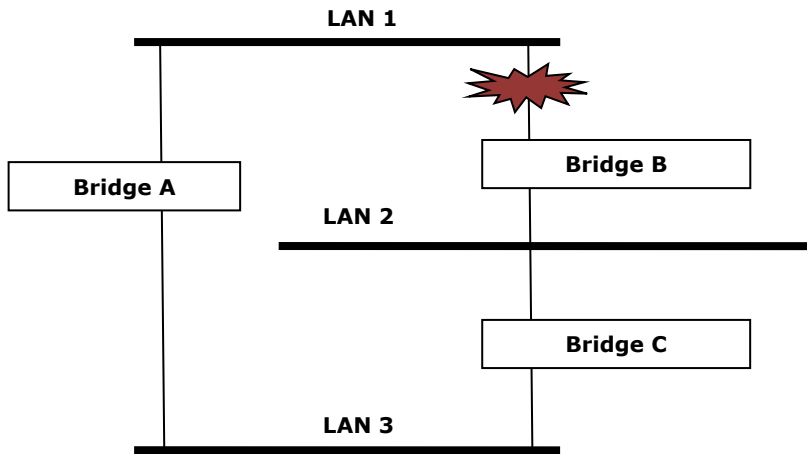
STP (802.1D) is a bridge-based system that is used to implement parallel paths for network traffic. STP uses a loop-detection process to:

- Locate and then disable less efficient paths (i.e., paths that have a lower bandwidth).
- Enable one of the less efficient paths if a more efficient path fails.

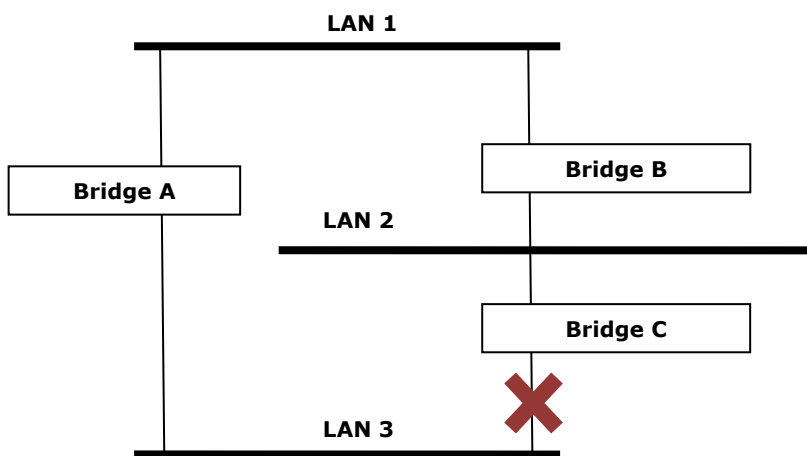
The figure below shows a network made up of three LANs separated by three bridges. Each segment uses at most two paths to communicate with the other segments. Since this configuration can give rise to loops, the network will overload if STP is NOT enabled.



If STP is enabled, it will detect duplicate paths and prevent, or *block*, one of the paths from forwarding traffic. In the following example, STP determined that traffic from LAN segment 2 to LAN segment 1 should flow through bridges C and A since this path has a greater bandwidth and is therefore more efficient.



What happens if a link failure is detected? As shown in next figure, the STP process reconfigures the network so that traffic from LAN segment 2 flows through bridge B.



STP will determine which path between each bridged segment is most efficient, and then assign a specific reference point on the network. When the most efficient path has been identified, the other paths are blocked. In the previous 3 figures, STP first determined that the path through bridge C was the most efficient, and as a result, blocked the path through bridge B. After the failure of bridge C, STP re-evaluated the situation and opened the path through Bridge B.

## How STP Works

When enabled, STP determines the most appropriate path for traffic through a network. The way it does this is outlined in the sections below.

### STP Requirements

Before STP can configure the network, the system must satisfy the following requirements:

- All bridges must be able to communicate with each other. The communication is carried out using Bridge Protocol Data Units (BPDUs), which are transmitted in packets with a known multicast address.
- Each bridge must have a Bridge Identifier that specifies which bridge acts as the central reference point, or Root Bridge, for the STP system—bridges with a lower Bridge Identifier are more likely to be designated as the Root Bridge. The Bridge Identifier is calculated using the MAC address of the bridge and a priority defined for the bridge. For example, the default priority setting of Moxa switches is 32768.
- Each port has a cost that specifies the efficiency of each link. The efficiency cost is usually determined by the bandwidth of the link, with less efficient links assigned a higher cost.

## STP Calculation

The first step of the STP process is to perform calculations. During this stage, each bridge on the network transmits BPDUs. The following items will be calculated:

- Which bridge should be the **Root Bridge**. The Root Bridge is the central reference point from which the network is configured.
- The **Root Path Costs** for each bridge. This is the cost of the paths from each bridge to the Root Bridge.
- The identity of each bridge's **Root Port**. The Root Port is the port on the bridge that connects to the Root Bridge via the most efficient path. In other words, the port connected to the Root Bridge via the path with the lowest Root Path Cost. The Root Bridge, however, does not have a Root Port.
- The identity of the **Designated Bridge** for each LAN segment. The Designated Bridge is the bridge with the lowest Root Path Cost from that segment. If several bridges have the same Root Path Cost, the one with the lowest Bridge Identifier becomes the Designated Bridge. Traffic transmitted in the direction of the Root Bridge will flow through the Designated Bridge. The port on this bridge that connects to the segment is called the **Designated Bridge Port**.

## STP Configuration

After all of the bridges on the network agree on the identity of the Root Bridge, and all other relevant parameters have been established, each bridge is configured to forward traffic only between its Root Port and the Designated Bridge Ports for the respective network segments. All other ports are blocked, which means that they will not be allowed to receive or forward traffic.

## STP Reconfiguration

Once the network topology has stabilized, each bridge listens for Hello BPDUs transmitted from the Root Bridge at regular intervals. If a bridge does not receive a Hello BPDU after a certain interval (the Max Age time), the bridge assumes that the Root Bridge, or a link between itself and the Root Bridge, has ceased to function. This will trigger the bridge to reconfigure the network to account for the change. If you have configured an SNMP trap destination, the first bridge to detect the change will send out an SNMP trap when the topology of your network changes.

## Differences between STP, RSTP, and MSTP

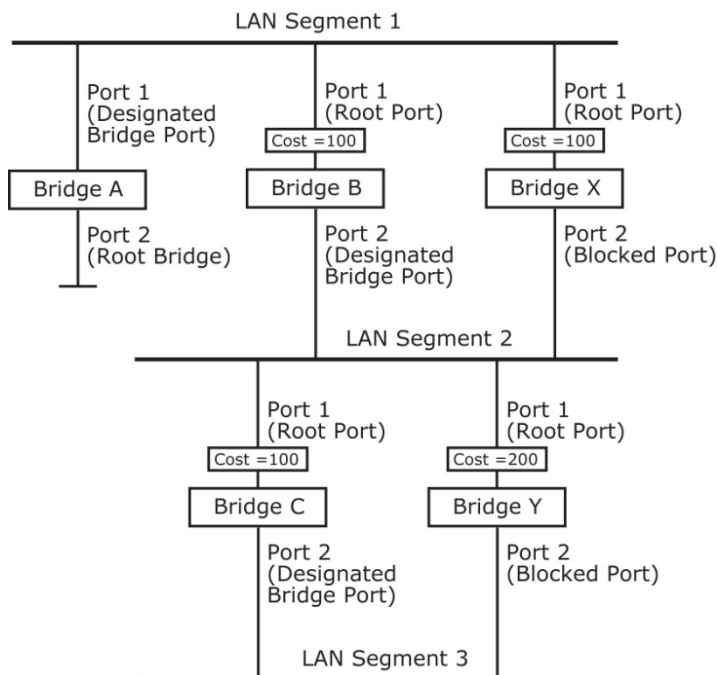
RSTP is similar to STP, but includes additional information in the BPDUs that allow each bridge to confirm that it has taken action to prevent loops from forming when it decides to enable a link to a neighboring bridge. Adjacent bridges connected via point-to-point links will be able to enable a link without waiting to ensure that all other bridges in the network have had time to react to the change. The main benefit of RSTP is that the configuration decision is made locally rather than network-wide, allowing RSTP to carry out automatic configuration and restore a link faster than STP.

STP and RSTP spanning tree protocols operate without regard to a network's VLAN configuration, and maintain one common spanning tree throughout a bridged network. Thus, these protocols map one loop-free, logical topology on a given physical topology. MSTP uses VLANs to create multiple spanning trees in a network, which significantly improves network resource utilization while maintaining a loop-free environment.



## STP Example

The LAN shown in the following figure has three segments, with adjacent segments connected using two possible links. The various STP factors, such as Cost, Root Port, Designated Bridge Port, and Blocked Port are shown in the figure.

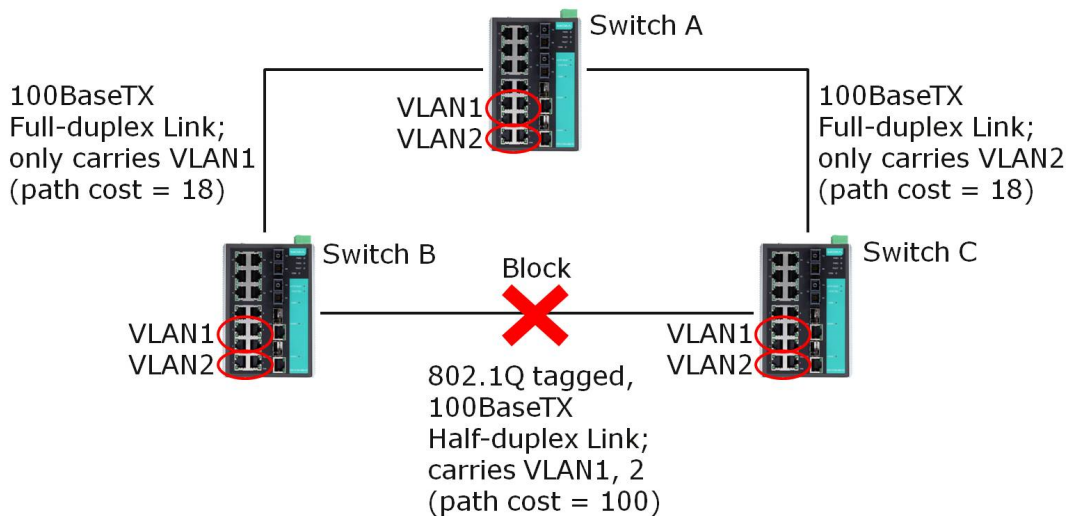


- Bridge A has been selected as the Root Bridge, since it was determined to have the lowest Bridge Identifier on the network.
- Since Bridge A is the Root Bridge, it is also the Designated Bridge for LAN segment 1. Port 1 on Bridge A is selected as the Designated Bridge Port for LAN Segment 1.
- Ports 1 of Bridges B, C, X, and Y are all Root Ports since they are nearest to the Root Bridge, and therefore have the most efficient path.
- Bridges B and X offer the same Root Path Cost for LAN segment 2. However, Bridge B was selected as the Designated Bridge for that segment since it has a lower Bridge Identifier. Port 2 on Bridge B is selected as the Designated Bridge Port for LAN Segment 2.
- Bridge C is the Designated Bridge for LAN segment 3, because it has the lowest Root Path Cost for LAN Segment 3:
  - The route through bridges C and B costs 200 (C to B=100, B to A=100)
  - The route through bridges Y and B costs 300 (Y to B=200, B to A=100)
- The Designated Bridge Port for LAN Segment 3 is port 2 on bridge C.

# Using STP on a Network with Multiple VLANs

IEEE Std 802.1D, 1998 Edition, does not take into account VLANs when calculating STP information—the calculations only depend on the physical connections. Consequently, some network configurations will result in VLANs being subdivided into a number of isolated sections by the STP system. You must ensure that every VLAN configuration on your network takes into account the expected STP topology and alternative topologies that may result from link failures.

The following figure shows an example of a network that contains VLANs 1 and 2. The VLANs are connected using the 802.1Q-tagged link between switch B and Switch C. By default, this link has a port cost of 100 and is automatically blocked because the other switch-to-switch connections have a port cost of 36 (18+18). This means that both VLANs are now subdivided—VLAN 1 on switches A and B cannot communicate with VLAN 1 on switch C, and VLAN 2 on switches A and C cannot communicate with VLAN 2 on switch B.



To avoid subdividing VLANs, all inter-switch connections should be made members of all available 802.1Q VLANs. This will ensure connectivity at all times. For example, the connections between switches A and B, and between switches A and C, should be 802.1Q tagged and carrying VLANs 1 and 2 to ensure connectivity.

## Configuring STP/RSTP

Use the scrolling bar at the top of the Redundancy Protocol page to select among **Turbo Ring**, **Turbo Ring V2**, **Turbo Chain**, **RSTP**, or **MSTP**. Note that configuration pages for these five protocols are different.

**Protocol**

Setting	Description	Factory Default
Turbo Ring	Select this item to change to the Turbo Ring configuration page.	None
Turbo Ring V2	Select this item to change to the Turbo Ring V2 configuration page.	
Turbo Chain	Select this item to change to the Turbo Chain configuration page.	
RSTP (IEEE 802.1D-2004)	Select this item to change to the RSTP configuration page.	
MSTP (IEEE 802.1s)	Select this item to change to the MSTP configuration page.	

The following figure indicates which Spanning Tree Protocol parameters can be configured. A more detailed explanation of each parameter follows.

### Redundant Protocol

Protocol RSTP (IEEE 802.1D 2004) ▼

**Status**

Active Protocol RSTP Role ---

**Settings**

Forwarding Delay (sec) 15 Hello Time (sec) 2

Bridge Priority 32768 ▼ Max Age 20 Apply

Port	Enable	Edge	Priority	Cost	Status
1	<input type="checkbox"/>	Auto ▼	128 ▼	200000	---
2	<input type="checkbox"/>	Auto ▼	128 ▼	200000	---
3	<input type="checkbox"/>	Auto ▼	128 ▼	200000	---
4	<input type="checkbox"/>	Auto ▼	128 ▼	200000	---
5	<input type="checkbox"/>	Auto ▼	128 ▼	200000	---
6	<input type="checkbox"/>	Auto ▼	128 ▼	200000	---
7	<input type="checkbox"/>	Auto ▼	128 ▼	200000	---
G1	<input type="checkbox"/>	Auto ▼	128 ▼	20000	---

## Explanation of "Status" Items

### Active Protocol

Shows which redundancy protocol is in use: **Turbo Ring**, **Turbo Ring V2**, **Turbo Chain**, **RSTP**, **MSTP**, or **None**.

### Role

This field only appears when RSTP mode is selected. The field indicates whether or not this switch is the **Root** of the Spanning Tree (the root is determined automatically).

## Explanation of "Settings" Items

### Forwarding delay (sec.)

Setting	Description	Factory Default
Numerical value input by user	The amount of time this device waits before checking to see if it should change to a different state.	15

### Bridge priority

Setting	Description	Factory Default
Numerical value selected by user	Increase this device's bridge priority by selecting a lower number. A device with a higher bridge priority has a greater chance of being established as the root of the Spanning Tree topology.	32768

### Hello time (sec.)

Setting	Description	Factory Default
---------	-------------	-----------------

Numerical value input by user	The root of the Spanning Tree topology periodically sends out a "hello" message to other devices on the network to check if the topology is healthy. The "hello time" is the amount of time the root waits between sending hello messages.	2
-------------------------------	--	---

**Max. Age (sec.)**

Setting	Description	Factory Default
Numerical value input by user	If this device is not the root, and it has not received a hello message from the root in an amount of time equal to "Max. Age," then this device will reconfigure itself as a root. Once two or more devices on the network are recognized as a root, the devices will renegotiate a new Spanning Tree topology.	20

**Enable STP per Port**

Setting	Description	Factory Default
Enable/Disable	Select to enable the port as a node on the Spanning Tree topology.	Disabled

**NOTE** We suggest not enabling the Spanning Tree Protocol once the port is connected to a device (PLC, RTU, etc.) as opposed to network equipment. The reason is that it will cause unnecessary negotiation.

**Edge (Firmware before V5.0)**

Setting	Description	Factory Default
Auto	<ol style="list-style-type: none"> <li>If the port does not receive a BPDU within 3 seconds, the port will be in the forwarding state.</li> <li>Once the port receives a BPDU, it will start the RSTP negotiation process.</li> </ol>	Auto
Force Edge	The port is fixed as an edge port and will always be in the forwarding state	
False	The port is set as the normal RSTP port	

**Edge (Firmware V5.0 or later)**

Setting	Description	Factory Default
Auto	<ol style="list-style-type: none"> <li>If the port does not receive a BPDU within 3 seconds, the port will be in the forwarding state</li> <li>Once the port receives a BPDU, it will start the RSTP negotiation process</li> </ol>	Auto
True	<ol style="list-style-type: none"> <li>The port is an edge port</li> <li>Once the port receives a BPDU, it will start the RSTP negotiation process</li> </ol>	
False	The port is set as the normal RSTP port	

**Priority**

Setting	Description	Factory Default
Numerical value selected by user	Increase this port's priority as a node on the Spanning Tree topology by entering a lower number.	128

**Cost**

Setting	Description	Factory Default
Numerical value input by user	Input a higher cost to indicate that this port is less suitable as a node for the Spanning Tree topology.	200000

**Status**

Indicates the current Spanning Tree status of this port. **Forwarding** for normal transmission, **Blocking** for block transmission, or **Link down** for no connection.

# Configuring MSTP

Use the scrollbar at the top of the Redundancy Protocol page to select **Turbo Ring**, **Turbo Ring V2**, **Turbo Chain**, **RSTP**, or **MSTP**. Note that configuration pages for these five protocols are different.

**Protocol**

Setting	Description	Factory Default
Turbo Ring	Select this item to change to the Turbo Ring configuration page.	None
Turbo Ring V2	Select this item to change to the Turbo Ring V2 configuration page.	
Turbo Chain	Select this item to change to the Turbo Chain configuration page.	
RSTP (IEEE 802.1D-2004)	Select this item to change to the RSTP configuration page.	
MSTP (IEEE 802.1s)	Select this item to change to the MSTP configuration page.	

The following figure indicates which Multiple Spanning Tree Protocol parameters can be configured. A more detailed explanation of each parameter follows.

**Redundant Protocol**

Protocol: MSTP (IEEE 802.1s)

Status: ---

**Global Settings**

Forwarding Delay (sec):  Hello Time (sec):

Max Hops:  Max Age:

Revision Level:   Configuration confirm

Region Name:

Apply

**Instance Settings**

Instance ID: Cist

Vlan Mapping: --- Bridge Priority: 32768

Port	Enable	Priority	Cost	Oper Cost	Edge	State	Role
1	<input type="checkbox"/>	128	0	---	<input type="checkbox"/>	---	---
2	<input type="checkbox"/>	128	0	---	<input type="checkbox"/>	---	---
3	<input type="checkbox"/>	128	0	---	<input type="checkbox"/>	---	---
4	<input type="checkbox"/>	128	0	---	<input type="checkbox"/>	---	---
5	<input type="checkbox"/>	128	0	---	<input type="checkbox"/>	---	---
6	<input type="checkbox"/>	128	0	---	<input type="checkbox"/>	---	---
7	<input type="checkbox"/>	128	0	---	<input type="checkbox"/>	---	---

## Explanation of "Status" Items

**Status**

Indicates the Root bridge of the Spanning Tree.

## Explanation of "Global Settings" Items

**Forwarding Delay (sec.)**

Setting	Description	Factory Default
---------	-------------	-----------------

Numerical value input by user (4-30)	The amount of time this device waits before checking to see if it should change to a different state.	15
--------------------------------------	---	----

**Hello time (sec.)**

Setting	Description	Factory Default
Numerical value input by user (1-10)	The root of the Spanning Tree topology periodically sends out a "hello" message to other devices on the network to check if the topology is healthy. The "hello time" is the amount of time the root waits between sending hello messages.	2

**Max Hops**

Setting	Description	Factory Default
Numerical value input by user (6-40)	The MSTP maximum hops value is the maximum number of hops in the region. Configure the maximum number of hops a BPDU can be forwarded in the MSTP region.	20

**Max. Age (sec.)**

Setting	Description	Factory Default
Numerical value input by user (6-40)	If this device is not the root, and it has not received a hello message from the root in an amount of time equal to "Max. Age," then this device will reconfigure itself as a root. Once two or more devices on the network are recognized as a root, the devices will renegotiate to set up a new Spanning Tree topology.	20

**Revision Level**

Setting	Description	Factory Default
Numerical value input by user (0-65535)	The MSTP revision level is the revision number of the configuration. All EDS switches in an MSTP region must be configured with the same revision level.	0

**Region Name**

Setting	Description	Factory Default
Character string	The region name helps define the logical boundary of the network. All EDS switches in an MSTP region must be configured with the same name.	MSTP

**Configuration confirm**

Setting	Description	Factory Default
Enable/Disable	Clicking "Apply" button will only save the MSTP settings temporarily; you can select to enable this configuration to activate the MSTP settings during the operation.	Disabled

**Explanation of "Instance Settings" Items****Instance ID**

Setting	Description	Factory Default
Numerical value selected by user	Within each MST region, the MSTP maintains multiple spanning-tree instances. A common and internal spanning tree (CIST) is a collection of the following: ISTs in each MST region, and the common spanning tree (CST) that interconnects the MST regions, and a	Cist

	single spanning tree. All other MST instances are numbered from 1 to 15.	
--	--	--

**Vlan Mapping**

Setting	Description	Factory Default
Numerical value input by user (1-4094)	Configure which VLAN ID is mapped to the multiple spanning-tree instances.	None

**Bridge priority**

Setting	Description	Factory Default
Numerical value selected by user	Increase this device’s bridge priority by selecting a lower number. A device with a higher bridge priority has a greater chance of being established as the root of the Spanning Tree topology.	32768

**Enable**

Setting	Description	Factory Default
Enable/Disable	Select to enable the port as a node on the Multiple Spanning Tree topology.	Disabled

**Priority**

Setting	Description	Factory Default
Numerical value selected by user	Increase this port’s priority as a node on the Multiple Spanning Tree topology by entering a lower number.	128

**Cost**

Setting	Description	Factory Default
Numerical value input by user	Input a higher cost to indicate that this port is less suitable as a node for the Multiple Spanning Tree topology. Use the default value (0) to use port speed in the auto port cost.	0

**Oper Cost**

It indicates the cost of the path to the other bridge from this transmitting bridge at the specified port.

**Edge**

Setting	Description	Factory Default
Enable/Disable	Select to enable the port as the edge port for the Multiple Spanning Tree topology.	Disabled

**State**

Indicates the current Multiple Spanning Tree status of this port. The “Blocking” status indicates the transmission is blocked; the “Learning” status indicates the MAC address of the device is being recorded in the MAC table, and the “Forwarding” status indicates normal transmission.

**Role**

Indicates the current port role status.

Setting	Port Role Status	Factory Default
Port Role	Backup Alternate port Root port Designated port Disable	None

## Configuration Limits of STP/RSTP

The Spanning Tree Algorithm places limits on three of the configuration items described previously:

[Eq. 1]:  $1 \text{ sec} \leq \text{Hello Time} \leq 10 \text{ sec}$

[Eq. 2]:  $6 \text{ sec} \leq \text{Max. Age} \leq 40 \text{ sec}$

[Eq. 3]:  $4 \text{ sec} \leq \text{Forwarding Delay} \leq 30 \text{ sec}$

These three variables are further restricted by the following two inequalities:

[Eq. 4]:  $2 \times (\text{Hello Time} + 1 \text{ sec}) \leq \text{Max. Age} \leq 2 \times (\text{Forwarding Delay} - 1 \text{ sec})$

Moxa EDS-600's firmware will alert you immediately if any of these restrictions are violated. For example, setting

Hello Time = 5 sec, Max. Age = 20 sec, and Forwarding Delay = 4 sec does not violate Eqs. 1 through 3, but does violate Eq. 4, since in this case,

$2 \times (\text{Hello Time} + 1 \text{ sec}) = 12 \text{ sec}$ , and  $2 \times (\text{Forwarding Delay} - 1 \text{ sec}) = 6 \text{ sec}$ .

You can remedy the situation in many ways. One solution is simply to increase the Forwarding Delay value to at least 11 sec.

*HINT:* Perform the following steps to avoid guessing:

Step 1: Assign a value to **Hello Time** and then calculate the left most part of Eq. 4 to get the lower limit of **Max. Age**.

Step 2: Assign a value to **Forwarding Delay** and then calculate the right most part of Eq. 4 to get the upper limit for **Max. Age**.

Step 3: Assign a value to **Forwarding Delay** that satisfies the conditions.



The following topics are covered in this chapter:

- ❑ **The V-ON Concept**
- ❑ **V-ON Topology**
  - Overall Network Fast Recovery
  - Local Network Fast Recovery
- ❑ **Instructions for Setting Up V-ON**

# The V-ON Concept

Moxa’s V-ON (Video-Always-ON) technology is a solution to make networks more reliable. If there is a communication error on a network, V-ON can help ensure downtime is effectively eliminated. V-ON can guarantee the following recovery times:

- Layer 2 unicast and multicast communication under 50 ms
- Layer 3 unicast and multicast communication under 300 ms

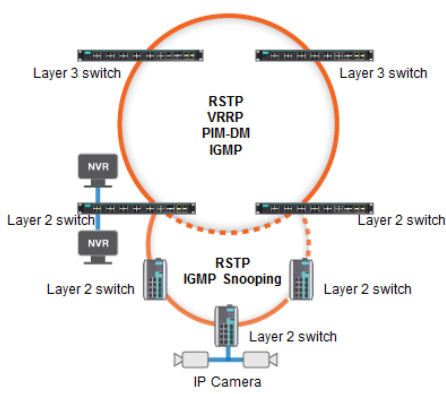
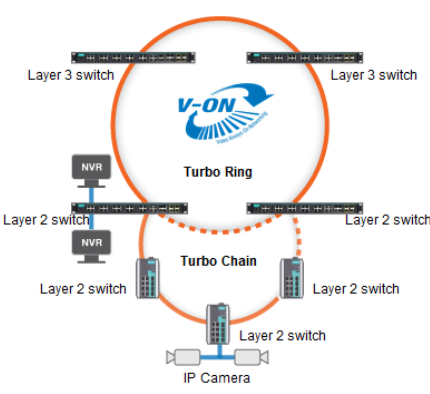
Unlike general redundancy technologies, such as RSTP, which redirect communications from a broken path to a redundant path, V-ON can guarantee both layer 2 unicast fast recover and also the fast recovery of overall communications on layer 2 multicast and layer 3 unicast/multicast networks. Moxa’s V-ON technology can be utilized across many applications such as video surveillance systems and PLC networks.

For example, video surveillance is very important as it is deployed to enhance public safety and secure property. In emergencies, it is not acceptable for a very important surveillance system to experience downtime. For applications where video loss is not acceptable, Moxa’s V-ON technology can recover across subnet communications within 300 ms, which overcomes the previous limitations of long recovery times on multicast networks.

In fact, Moxa’s V-ON technology can be implemented for any multicast application. For example, the implicit multicast communication for PLCs can recover from unexpected problems within 50 ms on a layer 2 network. Therefore, it reduces downtime and improves the overall equipment effectiveness for mission-critical applications.

**NOTE** Layer 2 communication means the packet is transmitted to the destination without routing. Layer 3 communication means the packet is transmitted to the destination with routing.

## Why V-ON Technology

Traditional Network	Network using Moxa’s V-ON Solution
	
<p>The figure above shows a traditional network with standard RSTP, VRRP, and IGMP protocols for multicast video stream. However, standard IGMP is not optimized for multicast video transmission. Once a network is down, a ring transmission path changes in a few seconds, but the recovery time of a multicast transmission path may be up to 125 seconds. This is not an acceptable recovery time for many mission-critical applications.</p>	<p>Moxa’s V-ON technology focuses on the optimization of multicast transmissions. The figure above shows Moxa’s recommended ring/chain network with V-ON technology for multicast video streams. By using Moxa’s V-ON technology, the recovery time of layer 2 multicast traffic redundancy is under 50 ms and the recovery time of layer 3 routing redundancy is under 300 ms.</p>

# V-ON Topology

V-ON can be adapted for use in many applications but can generally be classified into two types:

Overall network fast recovery (layer 2 + layer 3 networks)

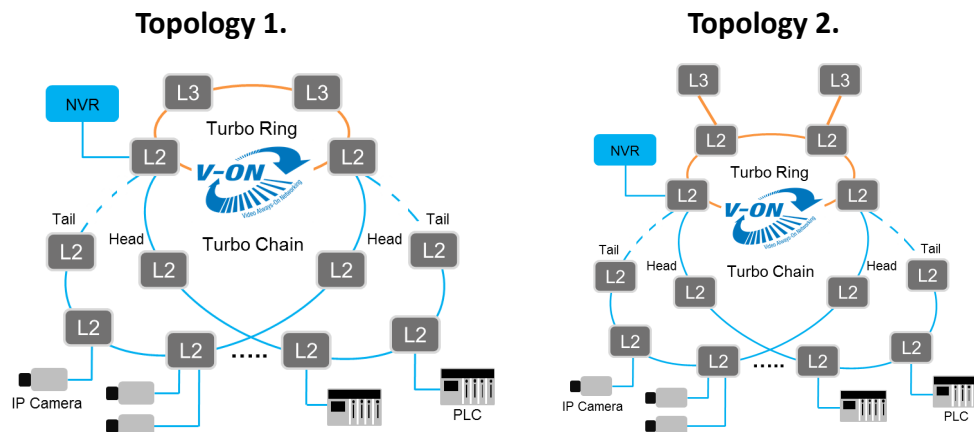
- Layer 2 unicast and multicast recovery times of less than 50 ms
- Layer 3 unicast and multicast recovery times of less than 300 ms

Local network fast recovery (pure layer 2 networks)

- Layer 2 unicast and multicast recovery times of less than 50 ms

## Overall Network Fast Recovery

For mission-critical applications that include layer 2 and layer 3 networks, the topology should be as below:



To complete all of V-ON's settings, the following features should be set properly in all layer 2 and 3 switches.

For all layer 2 and 3 switches:

- Turbo Ring V2/Turbo Chain
- Multicast Fast Forwarding Mode

For layer 3 switches only:

- VRRP Fast Switchover Mode
- Multicast Local Route

For configuration details, please refer to the Instructions for setting up V-ON.

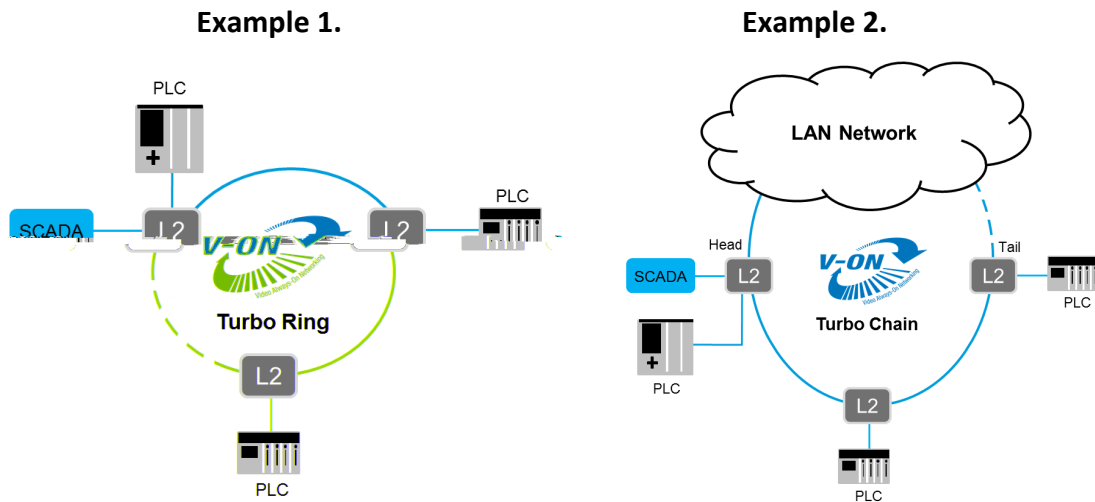
### NOTE

To guarantee the performance of V-ON, please adhere to the following:

- The topology of your network should be the same as topology 1 or 2 as shown above. (However, you can have more than one Turbo Chain in your application and you can have up to 250 nodes in a single chain)
- Turbo Chain must uplink to Turbo Ring's layer 2 switch
- Only one pair of VRRP-enabled layer3 switches are employed
- It is recommended to use 1G/10G fiber optic cables within the V-ON topology

## Local Network Fast Recovery

If a mission-critical application only uses on pure layer 2 networks, V-ON can be used to guarantee the fast recovery of unicast and multicast transmissions in the layer 2 network. For example, in a simple PLC network such as the one depicted in the diagram below, the network can achieve recovery times in layer 2 unicast and multicast networks of less than 50 ms.



To complete the settings for V-ON in a pure layer 2 network, the following features should be enabled:

For all layer 2 switches:

- Turbo Ring V2/Turbo Chain
- Multicast Fast Forwarding Mode

**NOTE** For pure layer 2 applications, V-ON does not have any constraints regarding topology. Any Turbo Ring or Chain topology can meet the fast recovery performance.

## Instructions for Setting Up V-ON

**Step 1.** Enable **Turbo Ring V2** for all switches in the ring - For detailed configurations, please refer to the Turbo Ring chapter in this manual.

**Step 2.** Enable **Turbo Chain** for all switches in the chain - For detailed configurations, please refer to the Turbo Chain chapter in this manual.

**Step 3.** Enable **Multicast Fast Forwarding Mode** for all switches – In the IGMP Snooping Setting page, as shown below, the IGMP Snooping and the Multicast Fast Forwarding Mode should both be enabled. The Multicast Fast Forwarding Mode can guarantee the fast recovery of multicast communications when unexpected communication failures occur.

**IGMP Snooping Setting**

- Enable IGMP Snooping      Query Interval (sec)
- Enable Multicast Fast Forwarding Mode

VID	Enable IGMP Snooping	Querier	Static Multicast Querier Port
1	<input checked="" type="checkbox"/>	V1/V2	<input type="checkbox"/> 1 <input type="checkbox"/> 2 <input type="checkbox"/> 3 <input type="checkbox"/> 4 <input type="checkbox"/> 5 <input type="checkbox"/> 6 <input type="checkbox"/> 7 <input type="checkbox"/> 8 <input type="checkbox"/> 9 <input type="checkbox"/> 10 <input type="checkbox"/> 11 <input type="checkbox"/> 12 <input type="checkbox"/> 13 <input type="checkbox"/> 14 <input type="checkbox"/> 15 <input type="checkbox"/> 16 <input type="checkbox"/> 17 <input type="checkbox"/> 18 <input type="checkbox"/> 19 <input type="checkbox"/> 20 <input type="checkbox"/> 21 <input type="checkbox"/> 22 <input type="checkbox"/> 23 <input type="checkbox"/> 24 <input type="checkbox"/> 25 <input type="checkbox"/> 26 <input type="checkbox"/> 27 <input type="checkbox"/> 28
2	<input checked="" type="checkbox"/>	V1/V2	<input type="checkbox"/> 1 <input type="checkbox"/> 2 <input type="checkbox"/> 3 <input type="checkbox"/> 4 <input type="checkbox"/> 5 <input type="checkbox"/> 6 <input type="checkbox"/> 7 <input type="checkbox"/> 8 <input type="checkbox"/> 9 <input type="checkbox"/> 10 <input type="checkbox"/> 11 <input type="checkbox"/> 12 <input type="checkbox"/> 13 <input type="checkbox"/> 14 <input type="checkbox"/> 15 <input type="checkbox"/> 16 <input type="checkbox"/> 17 <input type="checkbox"/> 18 <input type="checkbox"/> 19 <input type="checkbox"/> 20 <input type="checkbox"/> 21 <input type="checkbox"/> 22 <input type="checkbox"/> 23 <input type="checkbox"/> 24 <input type="checkbox"/> 25 <input type="checkbox"/> 26 <input type="checkbox"/> 27 <input type="checkbox"/> 28
3	<input checked="" type="checkbox"/>	V1/V2	<input type="checkbox"/> 1 <input type="checkbox"/> 2 <input type="checkbox"/> 3 <input type="checkbox"/> 4 <input type="checkbox"/> 5 <input type="checkbox"/> 6 <input type="checkbox"/> 7 <input type="checkbox"/> 8 <input type="checkbox"/> 9 <input type="checkbox"/> 10 <input type="checkbox"/> 11 <input type="checkbox"/> 12 <input type="checkbox"/> 13 <input type="checkbox"/> 14 <input type="checkbox"/> 15 <input type="checkbox"/> 16 <input type="checkbox"/> 17 <input type="checkbox"/> 18 <input type="checkbox"/> 19 <input type="checkbox"/> 20 <input type="checkbox"/> 21 <input type="checkbox"/> 22 <input type="checkbox"/> 23 <input type="checkbox"/> 24 <input type="checkbox"/> 25 <input type="checkbox"/> 26 <input type="checkbox"/> 27 <input type="checkbox"/> 28

Apply

**Enable IGMP Snooping (Global)**

Setting	Description	Factory Default
Enable/Disable	Select the Enable IGMP Snooping checkbox near the top of the window to enable the IGMP Snooping function globally.	Disabled

**Query Interval (sec)**

Setting	Description	Factory Default
Numerical value, input by the user	Sets the query interval of the Querier function globally. Valid settings are from 20 to 600 seconds.	125

**Enable Multicast Fast Forwarding Mode**

Setting	Description	Factory Default
Enable/Disable	Select the Enable Multicast Fast Forwarding Mode checkbox to achieve fast multicast forwarding path re-learning while the ring redundant network is down. Note: Turbo Ring V2 or Turbo Chain must be enabled.	Disabled

**Enable IGMP Snooping**

Setting	Description	Factory Default
Enable/Disable	Enables or disables the IGMP Snooping function on that particular VLAN.	Enabled if IGMP Snooping is enabled globally

**Querier**

Setting	Description	Factory Default
Disable	Disables the querier function of Moxa’s switch.	V1/V2
V1/V2 and V3 checkbox	V1/V2: Enables the switch to send IGMP snooping queries that are compatible in both versions 1 and 2. V3: Enables the switch to send IGMP snooping version 3 queries	

**Static Multicast Querier Port**

Setting	Description	Factory Default
Select/Deselect	Select the ports that will connect to the multicast routers. These ports will receive all multicast packets from the source. This option is only active when IGMP Snooping is enabled.	Disabled

For more details of the IGMP Snooping Settings, please refer to *Moxa Managed Ethernet Switch UM*.

**NOTE** Ports of Turbo Ring's layer 2 switches that connect to Turbo Chain should be enabled as the static multicast querier port.

**Step 4.** Enable **VRRP Fast Switchover Mode** for two layer 3 switches – In the VRRP Settings page, as shown below, both VRRP and VRRP Fast Switchover Mode should be enabled. The VRRP Fast Switchover Mode can guarantee fast recovery on layer 3 communications from unexpected communication failure. For example, below are four different LANs that enabled the VRRP and VRRP Fast Switchover Mode.

**VRRP Settings**

Enable VRRP Advertisement Interval (ms)   
 Enable VRRP Fast Switchover Mode

VRRP Enable	Interface Name	IP Address	VLAN ID	Virtual IP	Virtual Router ID	Priority	Preemption Mode	VRRP Status
<input checked="" type="checkbox"/>	LAN_2	192.168.2.1	2	192.168.2.254	1	100	<input type="checkbox"/>	Init
<input checked="" type="checkbox"/>	LAN_3	192.168.3.1	3	192.168.3.254	1	100	<input type="checkbox"/>	Init
<input checked="" type="checkbox"/>	LAN_4	192.168.4.1	4	192.168.4.254	1	100	<input type="checkbox"/>	Init
<input checked="" type="checkbox"/>	LAN_5	192.168.5.1	5	192.168.5.254	1	100	<input type="checkbox"/>	Init

**Apply**

**Enable VRRP**

Setting	Description	Factory Default
Enable/Disable	Enable or disable VRRP	Disable

**Advertisement Interval (ms)**

Setting	Description	Factory Default
25 to 1000	Defines the VRRP advertisement interval	1000

**Enable VRRP Fast Switchover Mode**

Setting	Description	Factory Default
Enable/Disable	Checkmark Enable VRRP Fast Switchover Mode to achieve fast VRRP backup router, which will take over the role of master if the VRRP master is down.	Disabled

**VRRP Interface Table**

Setting	Description	Factory Default
VRRP Enable	Enable or disable the VRRP entry	Disabled
Virtual IP	A L3 switch/router in the same VRRP group must have identical virtual IP addresses as the other VRRP groups. This virtual IP address must belong to the same address range as the real IP address of the interface.	0.0.0.0
Virtual Router ID	Virtual Router ID is used to assign a VRRP group. The L3 switch/router, which operate as master/backup, should have the same ID. Moxa's L3 switch/router supports one virtual router ID for each interface. IDs can range from 1 to 255.	1
Priority	Determines priority in a VRRP group. The priority value range is 1 to 254, with 254 the highest priority. If several L3 switches/routers have the same priority, the router with the higher IP address will have the higher priority.	100
Preemption Mode	Determines whether or not a backup L3 switch/router will take over the authority of the master.	Enable

For more details about VRRP Settings, please refer to *Layer 3 Routing (UI 2.0) UM*.

**NOTE** When enabling VRRP Fast Switchover Mode:

- The maximum number of VRRP Interfaces is 60
- The Advertisement Interval will be fixed as 25 ms
- The Preemption Mode will be disabled
- The Priority of VRRP interfaces will be the same in every layer 3 switch

**Step 5.** Enable **Multicast Local Route** for two layer 3 switches - Multicast Local Route is a method of forwarding traffic to multicast groups based on source and downstream VLAN settings. As shown in the example below, the multicast stream from VLAN 2 can be forwarded to VLAN 3 and 4; VLAN 3 can be forwarded to VLAN 4 and 5.

### Multicast Local Route Settings

Enable Local Route

Source VLAN

Downstream VLAN

	Source VLAN	DownStream VLAN
<input type="checkbox"/>	2	3,4
<input type="checkbox"/>	3	4,5

#### **Enable Local Route**

Setting	Description	Factory Default
Enable/Disable	Enable Local Route function	Disabled

#### **Source VLAN**

The VLAN ID that the source multicast stream comes from.

#### **Downstream VLAN**

The VLAN ID(s) that the source multicast stream is going to.

#### **Add**

Add a new rule for multicast routing.

#### **Delete**

Remove the selected rule(s) from the table.

#### **Modify**

Modify the contents of the selected rule(s) in the Table.

**NOTE** The maximum number of Rules is 16.  
The maximum number of Downstream VLANs in each Rule is 16.