

# VPort P06HC-1MP-M12 Series

HD video image, square-type IP cameras for mobile surveillance



## Features and Benefits

- -25 to 55°C operating temperature
- 1/2.7" progressive scan camera with maximum 1280 x 800 resolution at up to 30 fps
- Flush mounting for hiding inside a panel, such as a wall or ceiling
- Up to 3 H.264 or MJPEG independent video streams
- DynaStream™ for optimized network efficiency
- CBR Pro™ for high image quality in limited bandwidth transmissions
- Supports DHCP options 66 and 67 for auto-configuration
- 1 built-in microphone for audio input, and 1 digital input for external sensor
- ONVIF support for standardization and interoperability

## Certifications



## Introduction

The VPort P06HC-1MP-M12 square-type IP cameras provide an HD (720P, 1280 x 720) video image, and feature 3 H.264/MJPEG video streams, giving them the versatility and ruggedness to excel in many different installations and environments for IP video surveillance applications. In addition, the cameras comply with a portion of EN 50155 specifications,<sup>1</sup> covering operating temperature, power input voltage, surge, ESD, and vibration, making them suitable for a variety of industrial applications. The cameras feature a -25 to 55°C operating temperature, a rugged M12 Ethernet port, 1 built-in microphone, 1 digital input, PoE power inputs, IP66 rain and dust protection, and a selectable lens.

## Specifications

### Input/Output Interface

Digital Input Channels	1
Digital Inputs	+13 to +30 V for state 1 -30 to +1 V for state 0 Max. input current: 8 mA
Connector	5-pin A-coded male M12 connector with 20 cm cable

### Ethernet Interface

PoE Ports (10/100BaseT(X), M12 D-coded 4-pin female connector)	1
--	---

### Ethernet Software Features

Protocols	TCP/IP, IPv4, UDP, HTTP, RTP/RTSP, ARP, UPnP, FTP, TFTP, SMTP, NTP Client, DNS, DDNS, QoS, IGMP v3, ICMP, SNMPv1/v2c/v3, DHCP Opt66/67
-----------	--

### Security Functions

Password	User-level password protection
Filter	IP address

1. This product is suitable for rolling stock railway applications, as defined by the EN 50155 standard. For a more detailed statement, refer to: [www.moxa.com/doc/specs/EN\\_50155\\_Compliance.pdf](http://www.moxa.com/doc/specs/EN_50155_Compliance.pdf)

## Power Parameters

No. of Power Inputs	1
Source of Input Power	PoE (IEEE 802.3af)
Input Current	0.13 A @ 48 VDC

## Camera Characteristics

Sensor	1/2.7-in HD progressive scan CMOS
Lens	f=3.6 mm, F1.6, Diagonal 120°, Horizontal 96°, Vertical 56°
Minimum Illumination	Color: 0.2 lux, at F1.2 (Gain High, 50 IRE, 1/30 sec)
Synchronization	Internal
White Balance	ATW/AWB
Electronic Shutter	Auto, Fixed (1/30 to 1/25000 sec)
S/N Ratio	Maximum 50 dB (AGC off; DNR on)
DNR (digital noise reduction)	Built-in 2D/3D DNR
WDR (wide dynamic range)	69 dB
AGC (auto gain control)	2X, 4X, 8X, 16X
Flickerless Control	Automatic, 50 Hz, 60 Hz modes
Image Rotation	Flip, Mirror, and 180° rotation
Image Setting	Manual tuning with brightness and contrast

## Video Interface

Video Compression	H.264 (ISO/IEC 14496-10) or MJPEG																																												
Video Output	via Ethernet																																												
Video Streams	3 independent H.264 or MJPEG video streams																																												
Video Resolution and FPS (frames per second)	<table border="1"> <thead> <tr> <th rowspan="2"></th> <th colspan="2">NTSC</th> <th colspan="2">PAL</th> </tr> <tr> <th>Size</th> <th>Max. FPS</th> <th>Size</th> <th>Max. FPS</th> </tr> </thead> <tbody> <tr> <td>CIF</td> <td>352 x 240</td> <td>30</td> <td>352 x 288</td> <td>25</td> </tr> <tr> <td>VGA</td> <td>640 x 480</td> <td>30</td> <td>640 x 480</td> <td>25</td> </tr> <tr> <td>4CIF</td> <td>704 x 480</td> <td>30</td> <td>704 x 576</td> <td>25</td> </tr> <tr> <td>Full D1</td> <td>720 x 480</td> <td>30</td> <td>720 x 576</td> <td>25</td> </tr> <tr> <td>SVGA</td> <td>800 x 600</td> <td>30</td> <td>800 x 600</td> <td>25</td> </tr> <tr> <td>HD</td> <td>1280 x 720</td> <td>30</td> <td>1280 x 720</td> <td>25</td> </tr> <tr> <td>WXGA</td> <td>1280 x 800</td> <td>30</td> <td>1280 x 800</td> <td>25</td> </tr> </tbody> </table>		NTSC		PAL		Size	Max. FPS	Size	Max. FPS	CIF	352 x 240	30	352 x 288	25	VGA	640 x 480	30	640 x 480	25	4CIF	704 x 480	30	704 x 576	25	Full D1	720 x 480	30	720 x 576	25	SVGA	800 x 600	30	800 x 600	25	HD	1280 x 720	30	1280 x 720	25	WXGA	1280 x 800	30	1280 x 800	25
	NTSC		PAL																																										
	Size	Max. FPS	Size	Max. FPS																																									
CIF	352 x 240	30	352 x 288	25																																									
VGA	640 x 480	30	640 x 480	25																																									
4CIF	704 x 480	30	704 x 576	25																																									
Full D1	720 x 480	30	720 x 576	25																																									
SVGA	800 x 600	30	800 x 600	25																																									
HD	1280 x 720	30	1280 x 720	25																																									
WXGA	1280 x 800	30	1280 x 800	25																																									
Video Viewing	<p>DynaStream™ support for changing the video frame rate automatically</p> <p>3 privacy mask areas provided</p> <p>Adjustable image size and quality</p> <p>Timestamp and text overlay</p> <p>Maximum of 5 simultaneous unicast connections, 50 multicast clients</p>																																												

<b>Audio Interface</b>	
Audio Inputs	1 x built-in microphone
Audio Format	Mono, PCM (G.711)
<b>Camera Software Development</b>	
VPort SDK PLUS	Includes CGI commands, ActiveX Control, and API library for customized applications or system integration for third-party developers
<b>Camera Alarm Software Features</b>	
Video Motion Detection	3 independently configurable areas
Scheduling	Daily repeat timing schedule
Imaging	JPEG snapshots for pre/trigger/post alarm images
Custom Alarms	HTTP event servers for setting customized alarm actions
Email/FTP Messaging	Automatic transfer of stored images via email or FTP as event-triggered actions
Pre-Alarm Buffer	12 MB video buffer for JPEG snapshot images
<b>Software Requirements</b>	
Memory Size	1 GB
Operating System	Windows 7 or above
Browser	Internet Explorer 9.x or above
Multimedia	DirectX 9.0C or above
<b>Physical Characteristics</b>	
Housing	Metal IP66 rain and dust protection Transparent PC cover
Dimensions	109 x 68 x 90 mm (4.29 x 2.68 x 3.54 in)
Weight	1100 g (2.43 lb)
Installation	Wall mounting (with optional kit)
Protection	VPort P06HC-1MP-M12-CAM36-CT: PCB conformal coating
<b>Environmental Limits</b>	
Operating Temperature	-25 to 55°C (-13 to 131°F)
Storage Temperature (package included)	-40 to 85°C (-40 to 185°F)
Ambient Relative Humidity	5 to 95% (non-condensing)
Ingress Protection	IEC 60529, IP66
Altitude	2000 m
<b>Standards and Certifications</b>	
EMI	CISPR 32, FCC Part 15B Class A
EMS	IEC 61000-4-2 ESD: Contact: 6 kV; Air: 8 kV IEC 61000-4-3 RS: 80 MHz to 1 GHz: 20 V/m IEC 61000-4-4 EFT: Power: 2 kV; Signal: 2 kV IEC 61000-4-5 Surge: Power: 2 kV; Signal: 1 kV IEC 61000-4-6 CS: 10 V IEC 61000-4-8 PFMF

Freefall	IEC 60068-2-31
Safety	UL 60950-1
Shock	IEC 60068-2-27, IEC 61373, EN 50155
Vibration	IEC 60068-2-64, IEC 61373, EN 50155
Railway	EN 50155 (complies with a portion of EN 50155 specifications)

#### MTBF

Time	1,275,915 hrs
Standards	Telcordia SR332

#### Warranty

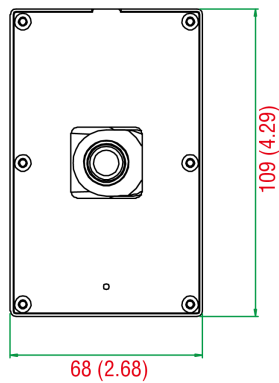
Warranty Period	5 years
Details	See <a href="http://www.moxa.com/warranty">www.moxa.com/warranty</a>

#### Package Contents

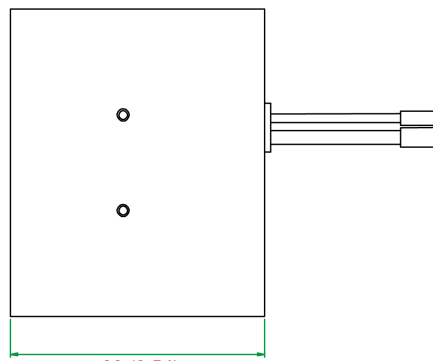
Device	1 x VPort P06HC-1MP-M12 Series camera
Installation Kit	1 x sticker 1 x L-type Torx screwdriver 2 x L-type installation kits 4 x Nylok screw 1 x dry pack
Documentation	1 x document and software CD 1 x quick installation guide 1 x warranty card

## Dimensions

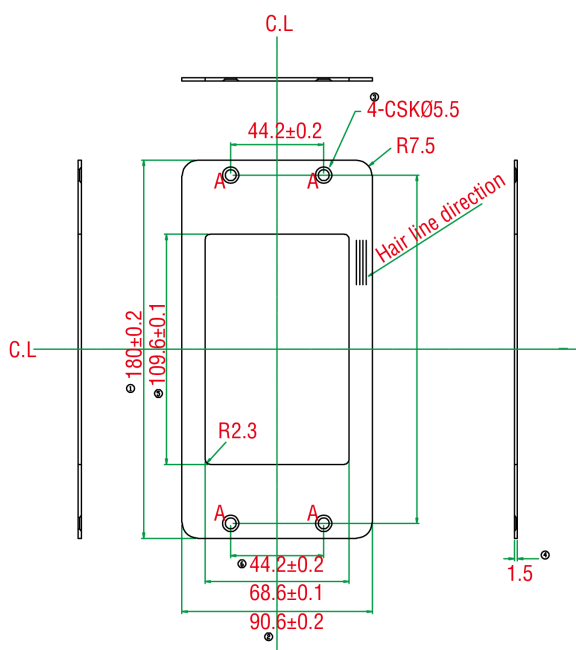
Unit: mm (inch)



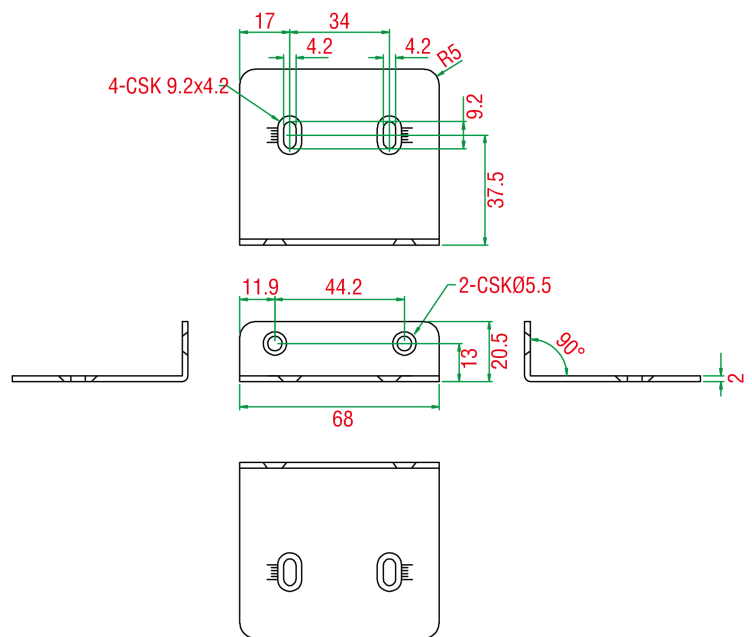
Front View



Side View



Front Decorative Plate



Wall-Mounting Kit

## Ordering Information

Model Name	Lens	Audio Interface	Operating Temp.	Conformal Coating	Mounting
VPort P06HC-1MP-M12-CAM36	3.6 mm	Microphone	-25 to 55°C	-	Panel mount or recessed mounting (- with optional kit)
VPort P06HC-1MP-M12-CAM36-CT	3.6 mm	Microphone	-25 to 55°C	✓	Panel mount or recessed mounting (- with optional kit)

## Accessories (sold separately)

### Mounting Kits

VP-FD1	Front decorative plate for the VPort P06HC
--------	--

© Moxa Inc. All rights reserved. Updated Nov 12, 2018.

This document and any portion thereof may not be reproduced or used in any manner whatsoever without the express written permission of Moxa Inc. Product specifications subject to change without notice. Visit our website for the most up-to-date product information.