

# ANT-WDB-PNF-1518 Series

Dual-band panel antennas: 15 dBi at 2.4 GHz or 18 dBi at 5 GHz



## Features and Benefits

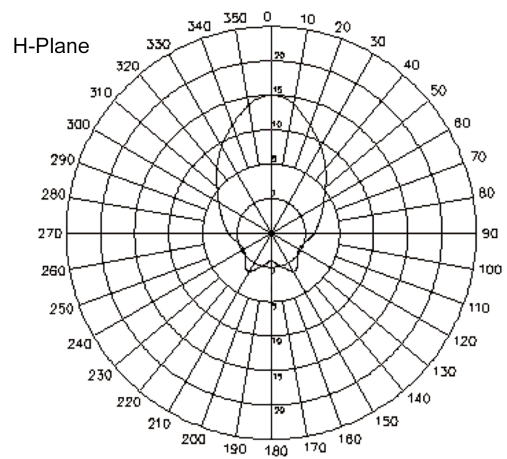
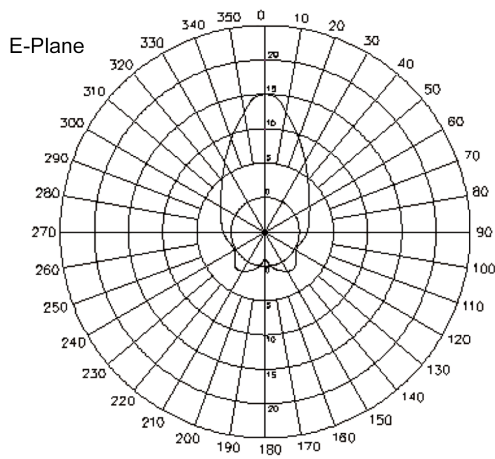
- High-gain antenna to enhance performance
- Waterproof N-type connector
- Lightweight
- Compact form factor
- Pole-mounting support
- Housing provides IP65 protection
- -40 to 80°C operating temperature range

## Introduction

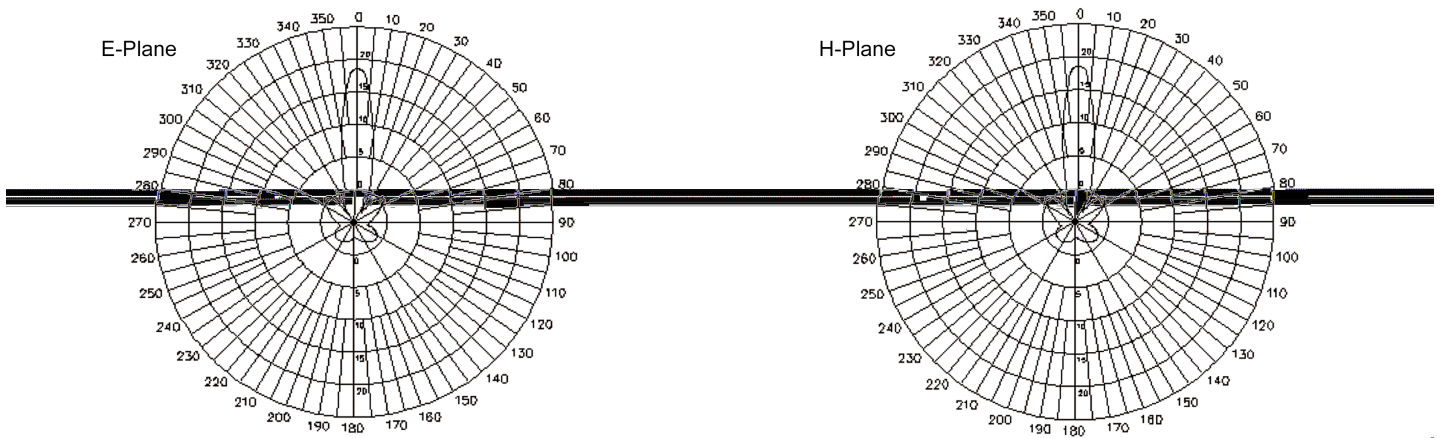
The ANT-PNF-1518 is a lightweight compact dual-band high-gain indoor panel antenna with a gain of up to 18 dBi. A wide operating temperature range of -40 to 80°C, IP65-rated housing, and pole-mounting support make it suitable for outdoor use.

## Field Patterns

Frequency: 2.4 GHz



**Frequency: 5 GHz**



**Specifications**

**Antenna Characteristics**

Frequency	2.4 to 2.5, 5.1 to 5.9 GHz
Antenna Type	Directional, Panel
Typical Antenna Gain	15/18 dBi
Connector	N-type (female)
Impedance	50 ohms
Polarization	Linear
HPBW/Horizontal	10/50°
HPBW/Vertical	10/30°
V.S.W.R.	1:1.5 max.
Power Handling	20 W (max.)

**Physical Characteristics**

IP Rating	IP65
Dimensions	270 x 205 x 15 mm (10.62 x 8.07 x 0.59 in)
Weight	1,020 g (2.25 lb)
Radome Color	White
Radome Material	PC and ABS
Installation	Pole mount

**Environmental Limits**

Operating Temperature	-40 to 80°C (-40 to 176°F)
Storage Temperature (package included)	-40 to 80°C (-40 to 176°F)
Ambient Relative Humidity	5 to 95% (30°C, non-condensing)

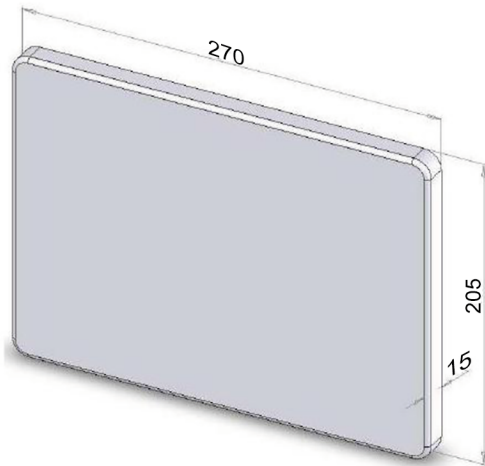
**Warranty**

Warranty Period	1 year
Details	See <a href="http://www.moxa.com/warranty">www.moxa.com/warranty</a>

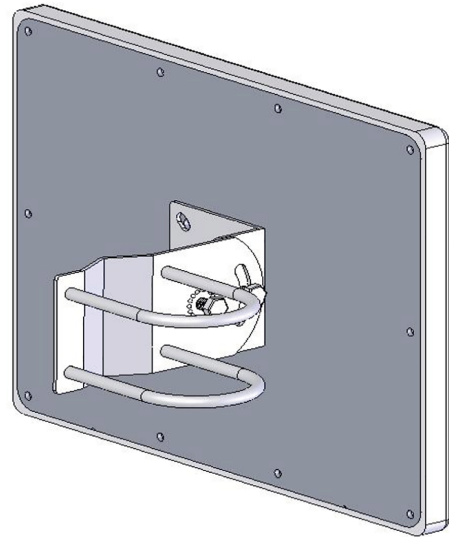
## Dimensions and Mounting

### Dimensions

Unit: mm



### Mounting



## Ordering Information

Model Name	Frequency	Antenna Type	Antenna Gain	Connector
ANT-WDB-PNF-1518	2.4 to 2.5, 5.1 to 5.9 GHz	Directional, Panel	15/18 dBi	N-type (female)

© Moxa Inc. All rights reserved. Updated Nov 12, 2018.

This document and any portion thereof may not be reproduced or used in any manner whatsoever without the express written permission of Moxa Inc. Product specifications subject to change without notice. Visit our website for the most up-to-date product information.